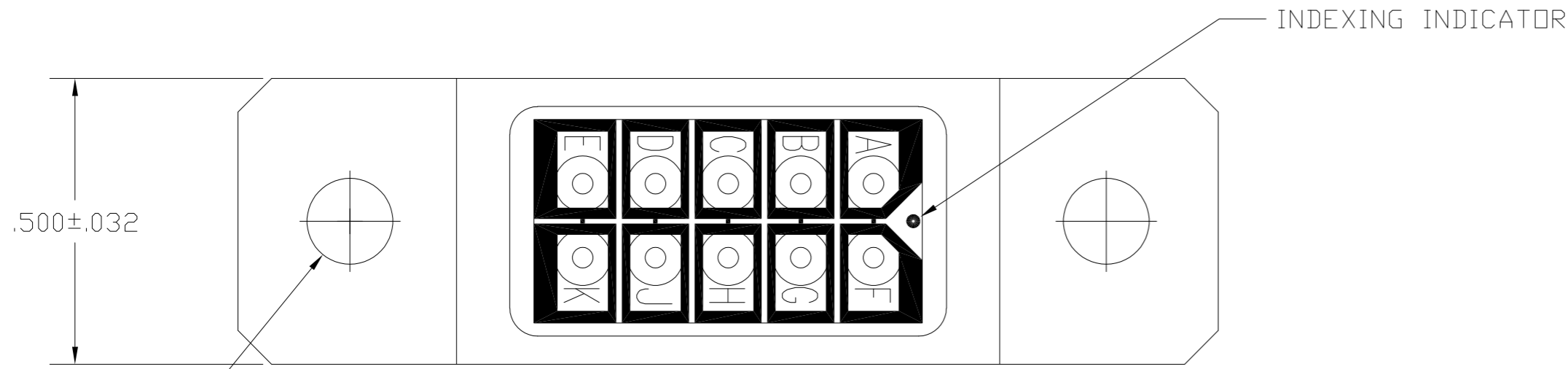
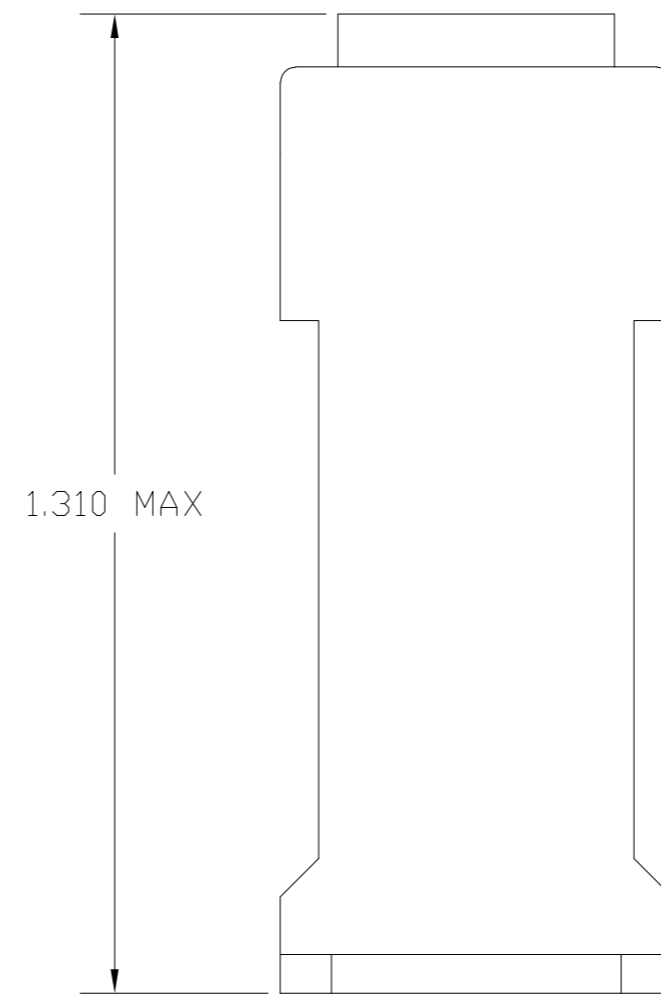
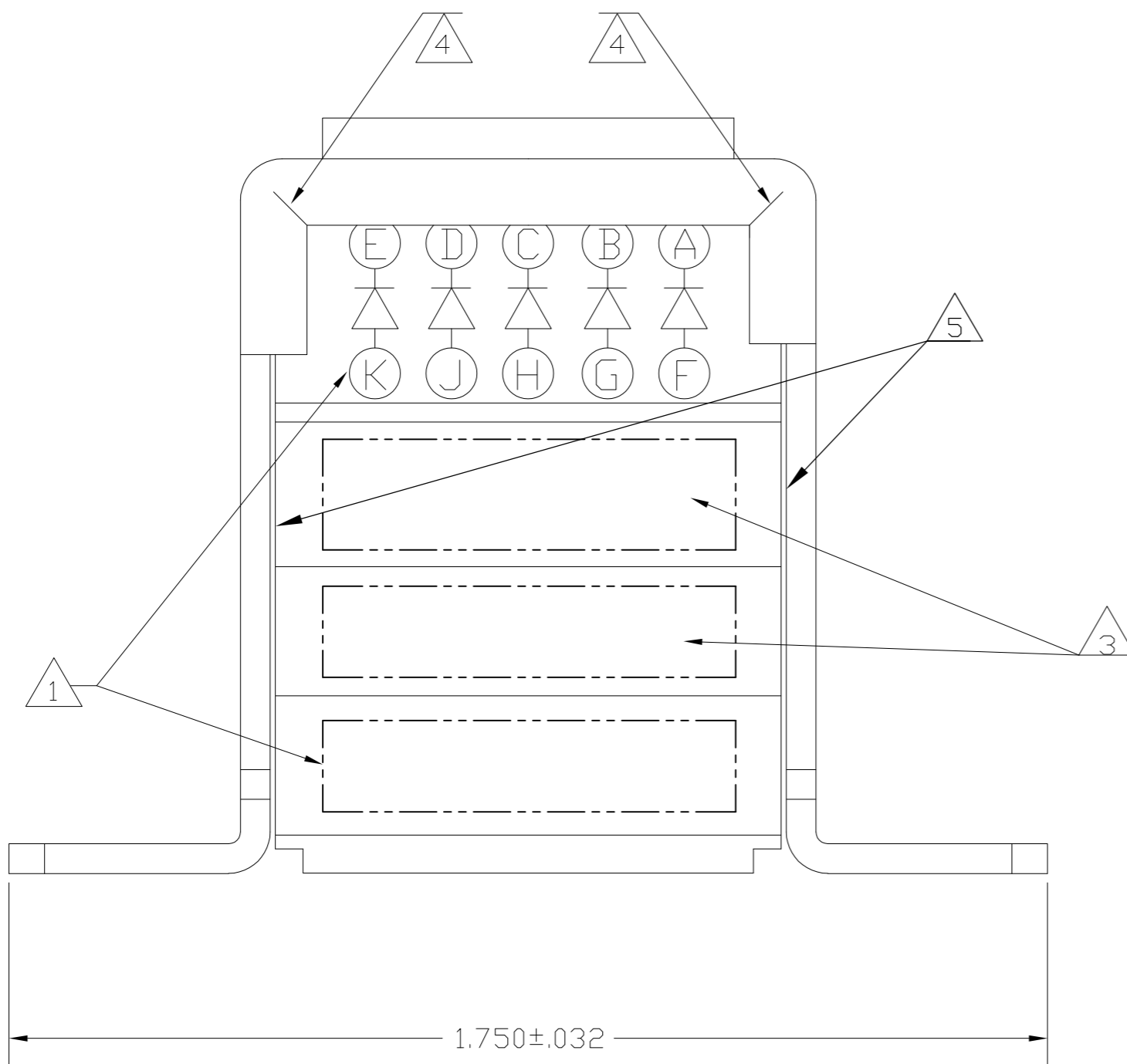


THIS DRAWING IS UNPUBLISHED. RELEASED FOR PUBLICATION
 © COPYRIGHT BY TYCO ELECTRONICS CORPORATION. ALL RIGHTS RESERVED.

LDC		DIST		REVISIONS			
P	LTR	DESCRIPTION	DATE	DWN	APVD		
DF	AO	F	REV PER ECD 08-000580	15JAN2009	PK	DE	



∅.15
2 PLC



DESCRIPTION	MATERIAL	FINISH
GROMMET	FLUOROSILICONE RUBBER	COLOR: BLUE
MODULE ASSEMBLY	THERMOSET EPOXY	COLOR: BLACK
CONTACT, SOCKET ASSEMBLY	BERYLLIUM COPPER PER ASTM-B194	GOLD PLATE PER MIL-G-45204
CLIP CONTACT RETAINING	BERYLLIUM COPPER PER ASTM-B194 OR SST PER QQ-S-766	NONE
BRACKET	AL-ALLOY 6061-T4 (.050 THK)	NICKEL PLATE PER MIL-C-26074
DIODE	JANTXIN5618 ^{△6}	—
CONTACTS P/N M39029/1-101	COPPER ALLOY PER MIL-C-32029	GOLD PLATE PER MIL-G-45204
SEALING PLUGS	F.E.P. PER MIL-P-19468	COLOR: RED

- ^{△1} ASSEMBLIES ARE IDENTIFIED WITH "AMP", AMP P/N, DATE CODE, AND DIODE SCHEMATIC ON MODULE AT AREA SHOWN.
- ^{△2} CONTACTS AND SEALING PLUGS SUPPLIED WITH MODULE ASSEMBLY.
- ^{△3} MARK ASSEMBLY WITH CUSTOMER PART NO. 12079-20E-009 AT AREA SHOWN.
- ^{△4} CUTOUT IN CORNERS TO FACILITATE FORMING APPEARS AS AN OPENING BETWEEN THE BRACKET AND MODULE BLOCK.
- ^{△5} METAL MOUNTING BRACKET NOT BONDED TO MODULE ASSEMBLY.
- ^{△6} DIODE MQ1N5618, MX1N5618 OR MXV1N5618 MAY BE SUBSTITUTED FOR JAN1N5618 DIODES MAY BE A COMMERCIAL DIODE THAT HAS BEEN UP-SCREENED TO MEET THE REQUIREMENTS OF JAN1N5618

REMARKS	DESCRIPTION	PART NO
^{△2} ^{△3}	SIZE 20	591857-2
	SIZE 20	591857-1

THIS DRAWING IS A CONTROLLED DOCUMENT.		DWN J. MECK 7-27-92	Tyco Electronics Corporation Harrisburg, PA 17105-3608	
DIMENSIONS: INCHES		CHK R. RYAN 8-10-93	NAME -	
TOLERANCES UNLESS OTHERWISE SPECIFIED:		APVD R. RYAN 8-10-93	PRODUCT SPEC -	
0 PLC ± -		APPLICATION SPEC -		
1 PLC ± -		WEIGHT -		
2 PLC ± .02		SCALE 4: 1 SHEET 1 OF 1 REV F		
3 PLC ± .005		CUSTOMER DRAWING		
4 PLC ± -		SIZE A2 CAGE CODE 00779 DRAWING NO 591857 RESTRICTED TO -		
ANGLES ± -				
FINISH				
SEE TABLE				