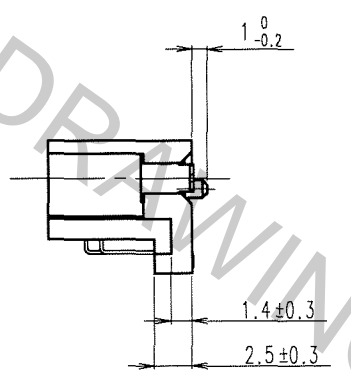
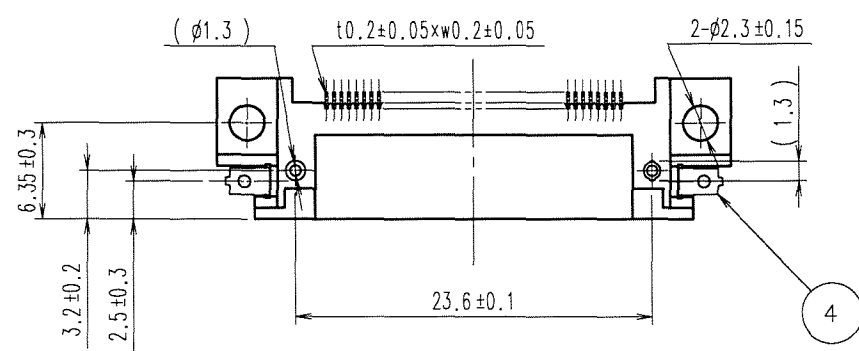
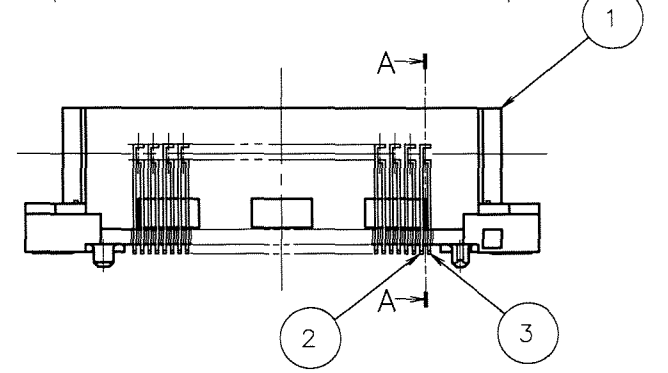
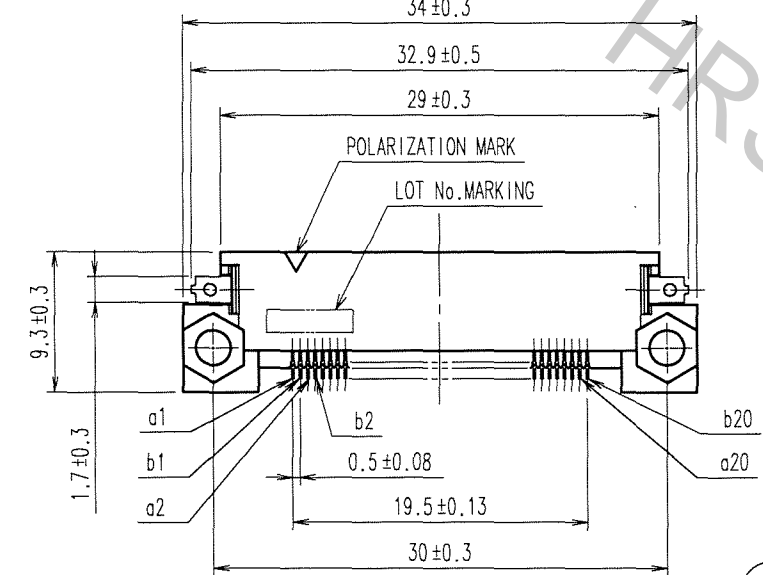
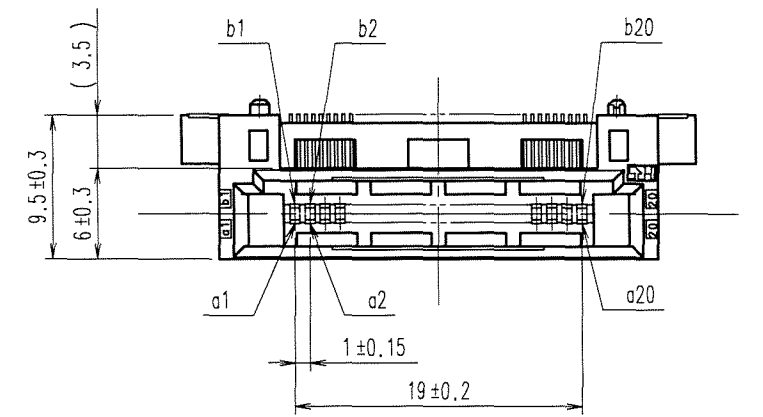
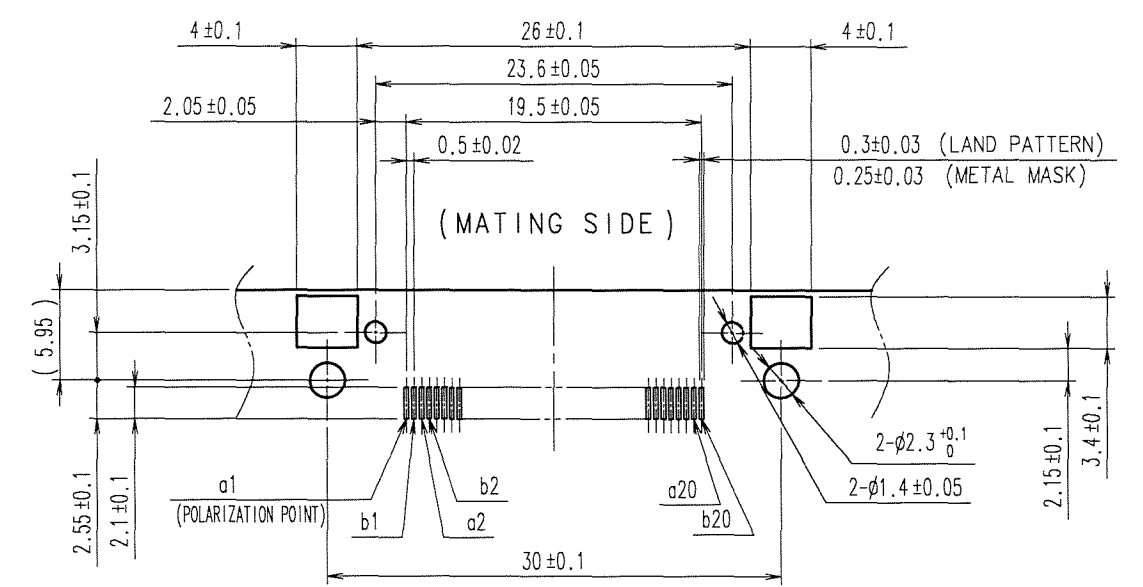


Apr.1.2017 Copyright 2017 HIROSE ELECTRIC CO., LTD. All Rights Reserved.

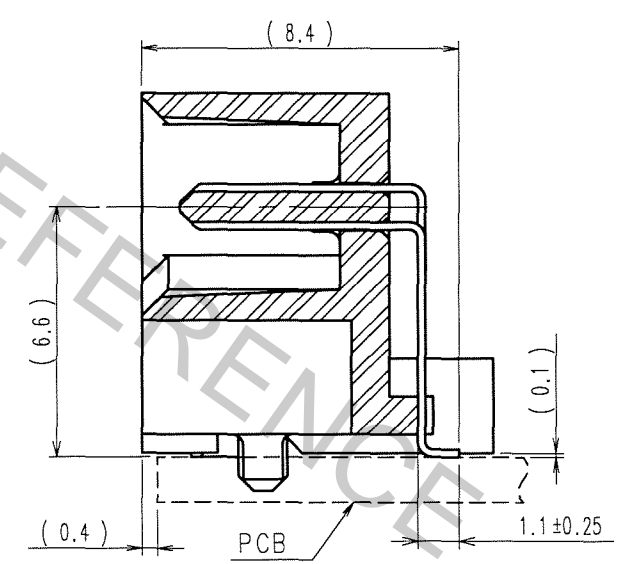
COUNT	DESCRIPTION OF REVISIONS	BY	CHKD	DATE	COUNT	DESCRIPTION OF REVISIONS	BY	CHKD	DATE



RECOMMENDED P.C.B. LAND PATTERN (MOUNTING SIDE)



A-A (5:1)



NOTE 1 LEAD CO-PLANARITY INCLUDING REINFORCED METAL FITTINGS TO BE 0.1 MAX.
 2 NOTE THAT THE REFERENCE TIGHTENING TORQUE IS 0.15 N·m.
 3 THE DIMENSIONS IN PARENTHESES ARE FOR REFERENCE.

TO

4	BRASS	TIN-PLATING	2, 3	BRASS	CONTACT AREA : GOLD 0.1μm min.		
1	POLYAMIDE	BEIGE UL94V-0			LEAD AREA : TIN-PLATING 1μm min.		
					UNDER PLATING : NICKEL 1μm min.		
NO.	MATERIAL	FINISH, REMARKS	NO.	MATERIAL	FINISH, REMARKS		
CODE NO. (OLD)	CL		DRAWN	DESIGNED	CHECKED	APPROVED	RELEASED
			K.DOI	<i>K. Doi</i>	<i>K. Oyamori</i>	<i>H. Okawa</i>	
			'06.09.30	'06.10.04	'06.10.04	'06.10.04	
DRAWING NO. EDC3-151515-21			PART NO. FX5-40P-SH3(71)				
SCALE 2:1			CODE NO. CL575-0045-2-71				
UNITS mm			HRS HIROSE ELECTRIC CO., LTD.				