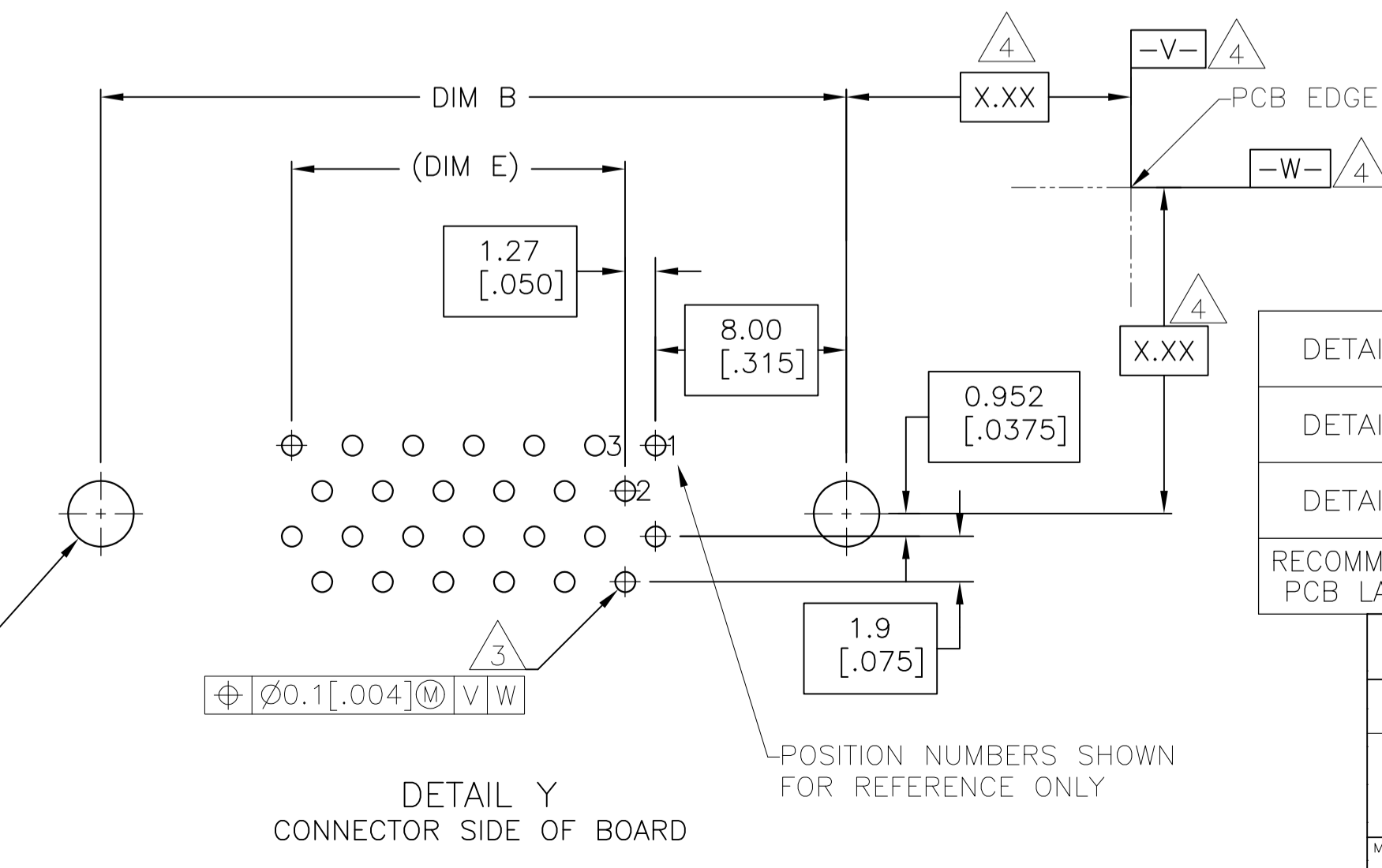
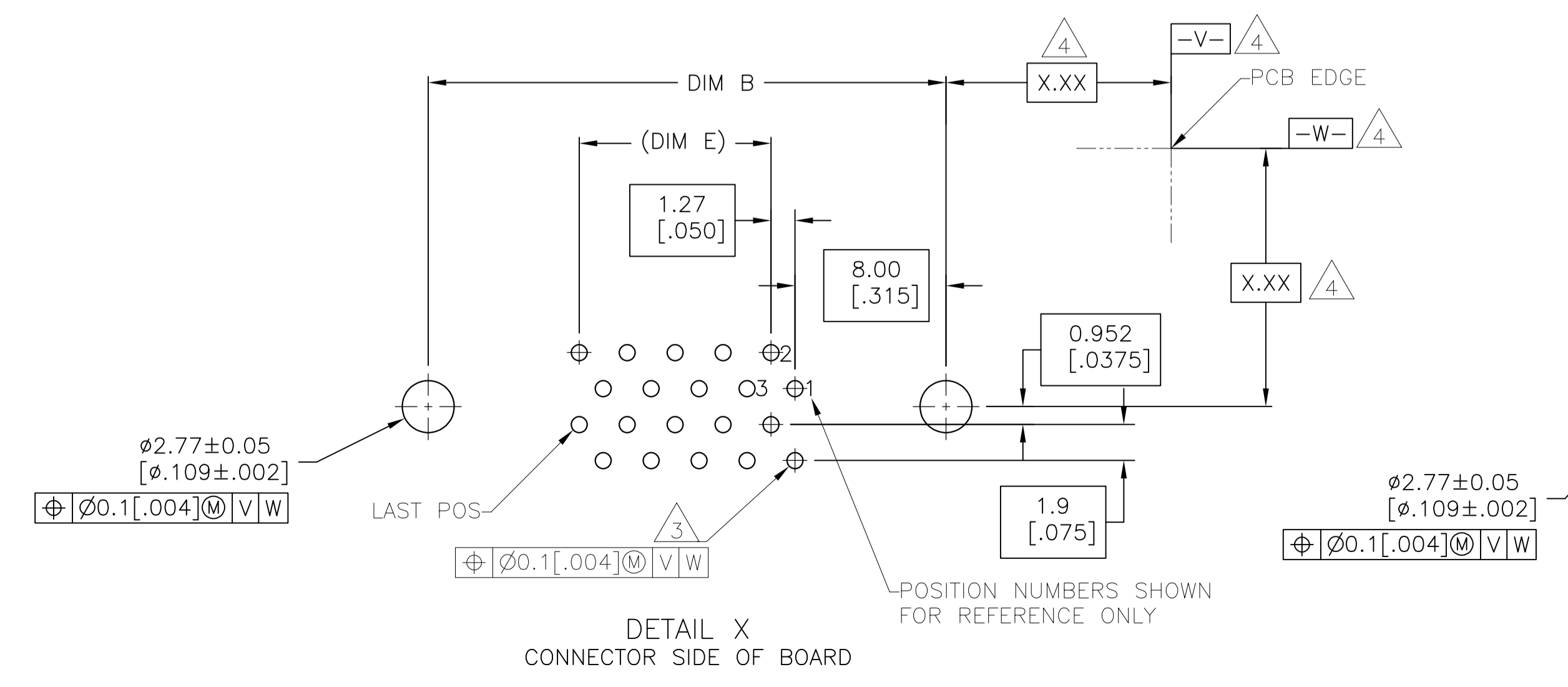
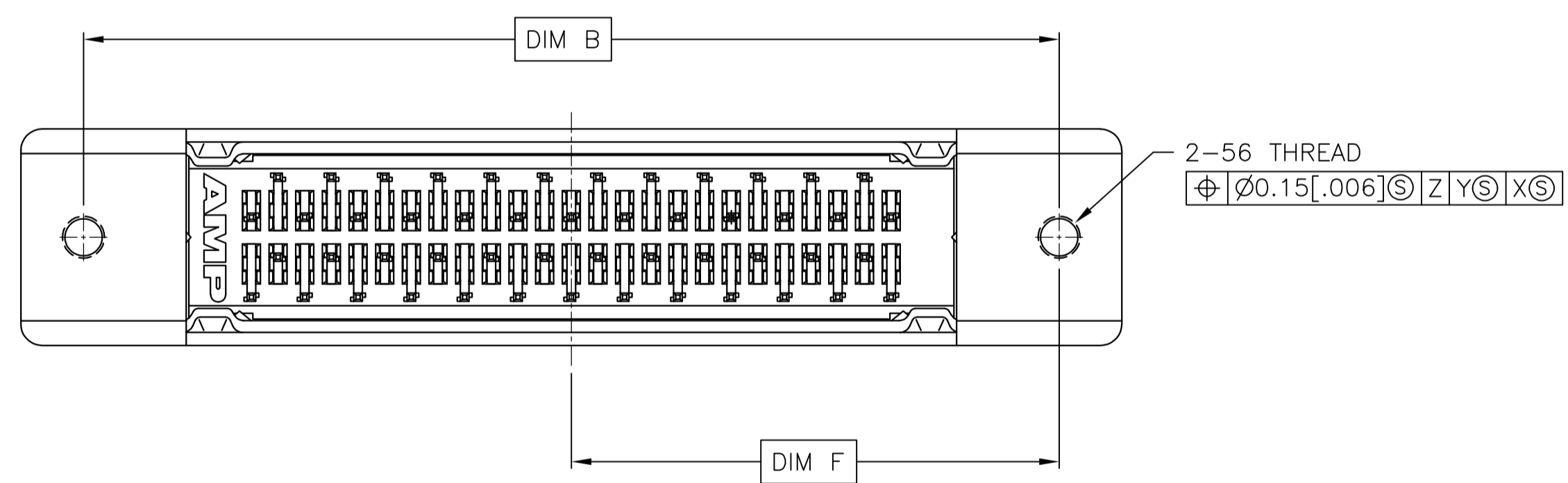
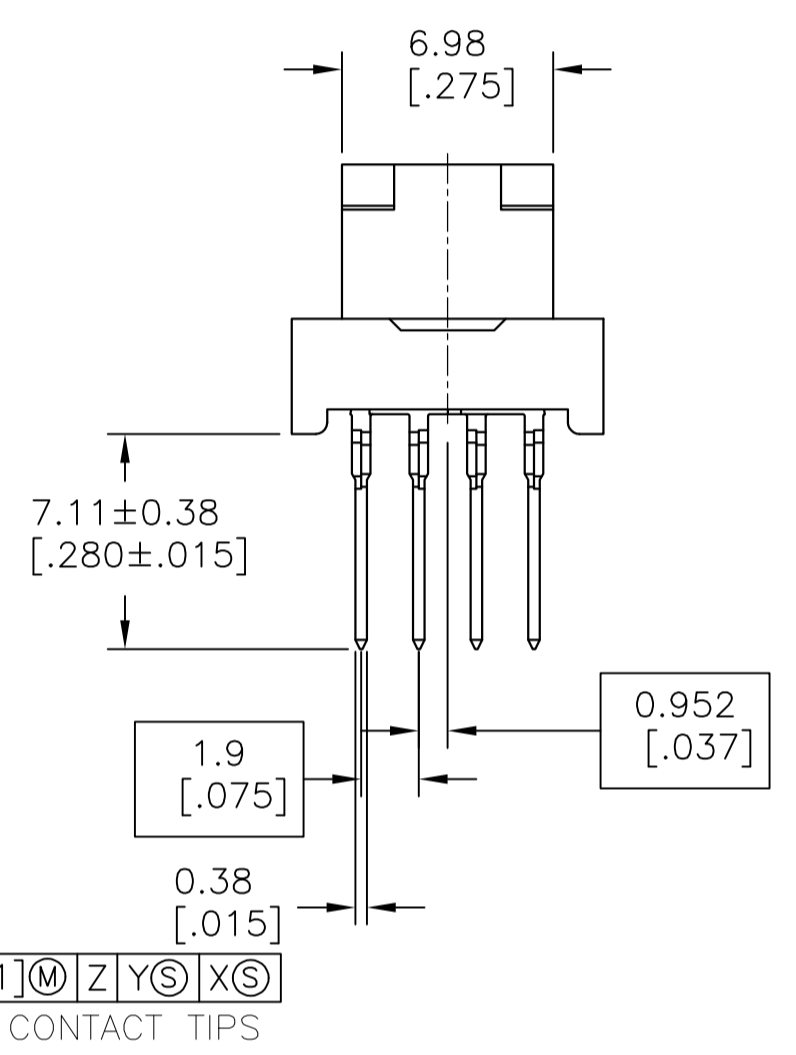
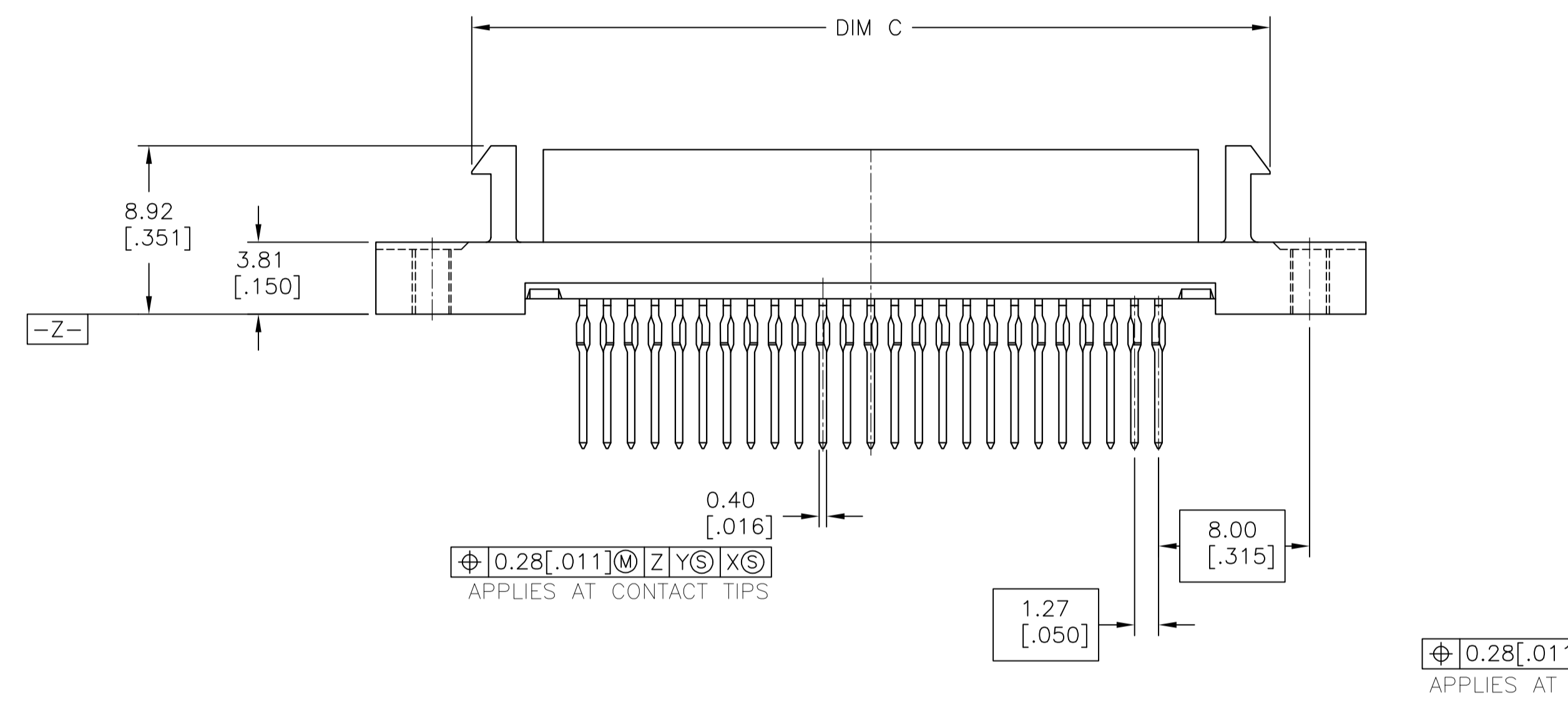
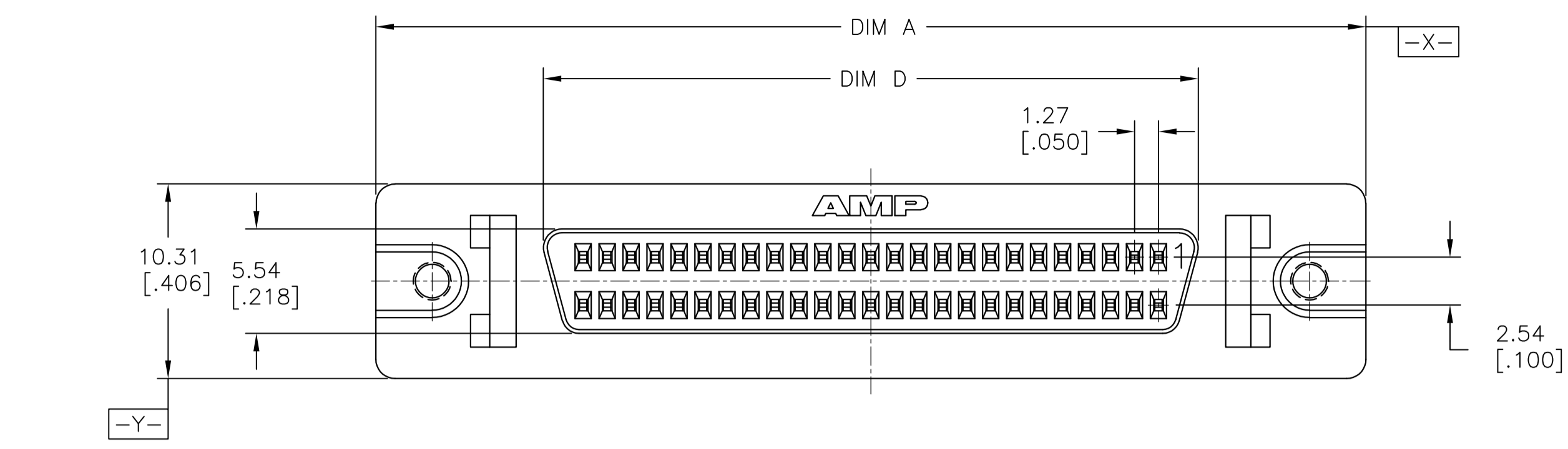


| LOC | | DIST | | REVISIONS | | | |
|-----|-----|-----------------------|-----------|-----------|------|--|--|
| F | LTR | DESCRIPTION | DATE | DMN | APVD | | |
| B | | REV PER ECO-09-016358 | 22JUL2009 | CR | SB | | |
| B1 | | REV PER ECO-09-027197 | 09DEC09 | KK | AEG | | |



- 1 MATERIAL:
HOUSING - POLYPHTHALAMIDE, UL 94V-0 RATED, BLACK.
BRACKET - ZINC.
SHELL - CARBON STEEL.
CONTACTS - PHOSPHOR BRONZE.
- 2 FINISH:
BRACKET - 0.00381 [.000150] MIN NICKEL OVER 0.00508 [.000200] MIN COPPER.
SHELL - 0.00508 [.000200] MIN NICKEL OVER 0.00127 [.000050] MIN COPPER.
CONTACTS - EITHER 0.0076 [.000030] MIN GOLD PLATE OR GOLD FLASH OVER PALLADIUM NICKEL PLATE, 0.0076 [.000030] MIN TOTAL ON MATING AREA, 0.00127 [.000050] MIN TIN ON TERMINATION AREA, ALL OVER 0.00127 [.000050] MIN NICKEL ON ENTIRE CONTACT.
- 3 PC BOARD HOLE RECOMMENDATIONS:
A. HOLES SHOULD BE DRILLED WITH A 0.701 [.0276] DRILL.
B. PC BOARD PLATING TO BE 0.00762 [.000300] MIN TIN OVER 0.025-0.038 [.0010-.015] COPPER.
C. RECOMMENDED HOLE SIZE AFTER PLATING IS 0.61±0.05 [.024±.002].
- 4 DATUMS AND BASIC DIMENSIONS TO BE DETERMINED BY CUSTOMER.
- 5 OBSOLETE PARTS: OBSOLETE CIS STREAMLINING PER D.RENAUD/D.SINISI

| DETAIL X | 39.12 [1.540] | 62.23 [2.450] | 66.45 [2.616] | 74.04 [2.915] | 78.23 [3.080] | 84.20 [3.315] | 100 | 5786162-9 |
|------------------------|---------------|---------------|---------------|---------------|---------------|---------------|-----------|-------------|
| DETAIL X | 28.96 [1.140] | 41.91 [1.650] | 46.13 [1.816] | 53.72 [2.115] | 57.91 [2.280] | 63.88 [2.515] | 68 | 5786162-7 5 |
| DETAIL Y | 23.24 [0.915] | 30.48 [1.200] | 34.70 [1.366] | 42.29 [1.665] | 46.48 [1.830] | 52.45 [2.065] | 50 | 5786162-5 5 |
| RECOMMENDED PCB LAYOUT | DIM F | DIM E | DIM D | DIM C | DIM B | DIM A | NO OF POS | PART NUMBER |

THIS DRAWING IS A CONTROLLED DOCUMENT.

| | | | | |
|-------------------------|--|-----------------------|--------------------------|---|
| DIMENSIONS: mm [INCHES] | TOLERANCES UNLESS OTHERWISE SPECIFIED: | DIN J. GERACE 24NOV04 | APVD M. WALMSLEY 24NOV04 | NAME RECEPTACLE ASSEMBLY, VERTICAL, SHIELDED, 3.18[.125] TO 5.08[.200] PCB, ACTION PIN, 1.27[.050] SERIES AMPLIMITE |
| 0 PLC ± - | 1 PLC ± - | 2 PLC ± 0.13 [.005] | 3 PLC ± - | 4 PLC ± - |
| MATERIAL | FINISH | WEIGHT | SIZE | SCALE |
| | | | A1 | 4:1 |

CUSTOMER DRAWING SCALE 4:1 SHEET 1 of 1 REV B1