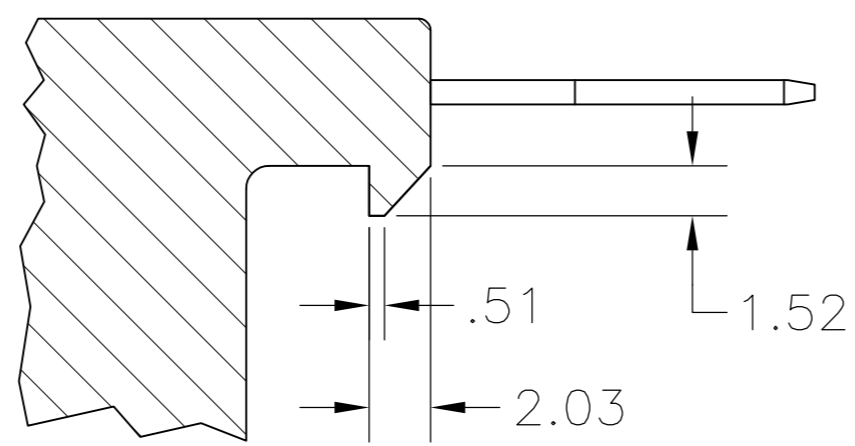
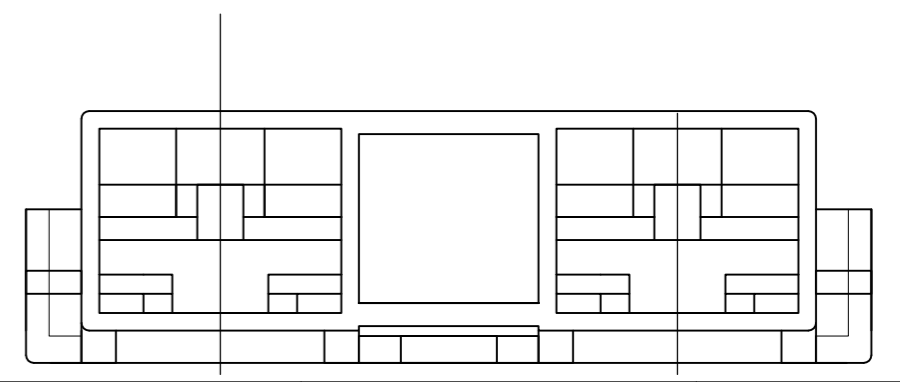
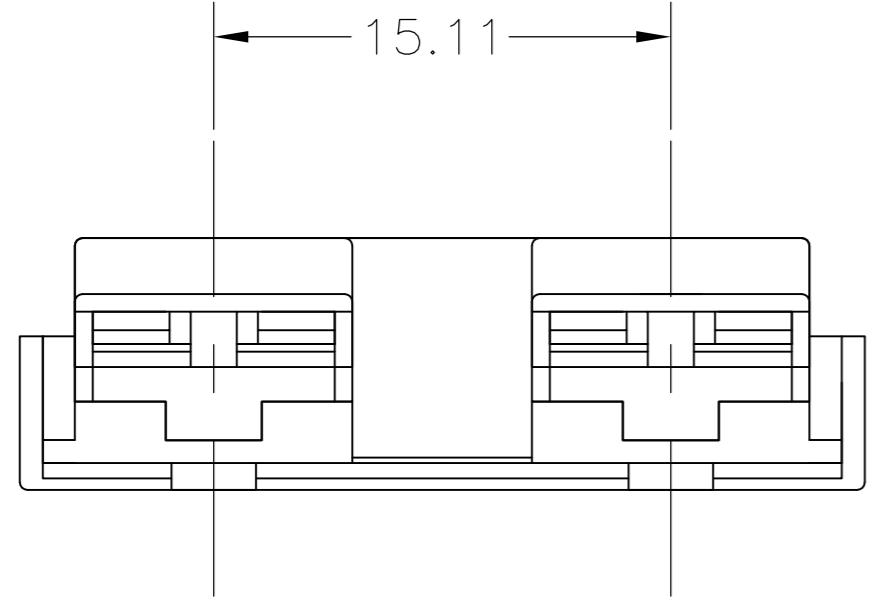
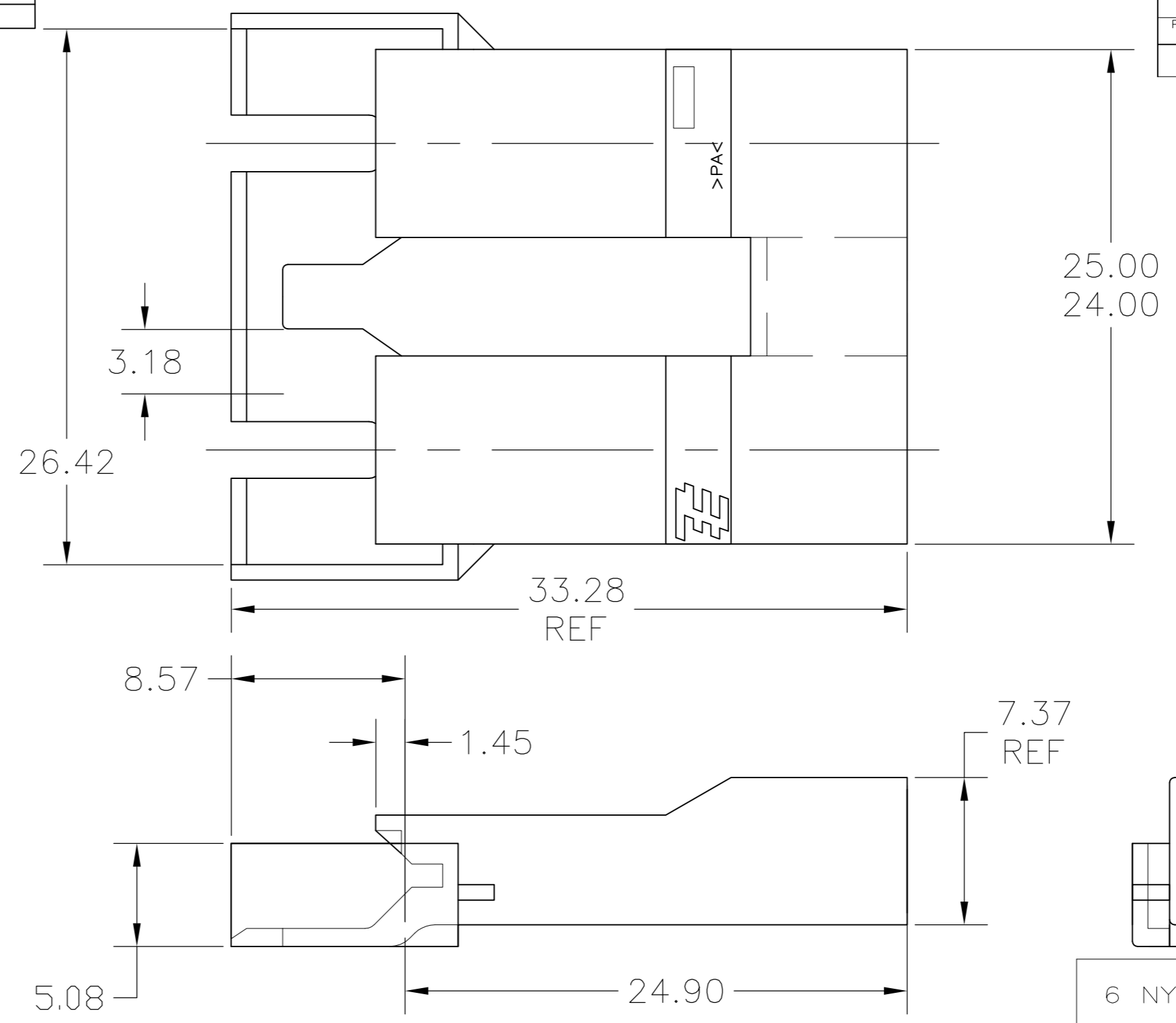


THIS DRAWING IS UNPUBLISHED. RELEASED FOR PUBLICATION  
 © COPYRIGHT - By - ALL RIGHTS RESERVED.

REVISIONS					
P	LTR	DESCRIPTION	DATE	DWN	APVD
	T6	REVISED PER ECR-16-012894	08SEP2016	PK	TD



PROPOSED MATING LOCKING DESIGN

- 1 THIS HOUSING ACCEPTS LOW-INSERTION, PREMIER RECEPTACLE 63306, OR POSITIVE-LOCK MKIII RECEPTACLE 63854-1.
- 2 TO MAINTAIN PROPER TERMINAL INSERTION FORCE INTO HOUSING, HOUSINGS MUST BE KEPT IN THEIR MOISTURIZED CONDITION (AS RECEIVED) PRIOR TO ASSEMBLY.
- 3 MOLDED WITH GLOW-WIRE APPROVED MATERIAL
- 4 PRELIMINARY - NOT FOR PRODUCTION
- 5 OFFERED FOR CONSIDERATION IN APPLICATIONS REQUIRING 'NON-DRIP' HOUSING MATERIAL.
- 6 BLUE PARTS MAY APPEAR MEDIUM BLUE TO LIGHT BLUE TO LIGHT GRAY IN COLOR AND MAY ALSO EXHIBIT A MARBLING EFFECT

OBSOLETE

MATERIAL	FINISH/COLOR	PART NO
6 NYLON, V2	RED	3 2-521253-2 4
66 NYLON V0	BLUE	6 3-521253-7
6/6 NYLON, V0	PURPLE	4 3-521253-6 5
6 NYLON, V2	NATURAL	3 2-521253-1
66/6 NYLON V0	BLUE	1-521253-7
	PURPLE	1-521253-6
	YELLOW	1-521253-4
	GREEN	1-521253-3
	RED	1-521253-2
6/6 NYLON V2	NATURAL	1-521253-1
	BLUE	521253-7
	PURPLE	521253-6
	BROWN	521253-5
	YELLOW	521253-4
	GREEN	521253-3
	RED	521253-2
	NATURAL	521253-1

THIS DRAWING IS A CONTROLLED DOCUMENT.		DWN	JR RUTH	05JAN00
DIMENSIONS: mm		CHK	MS FEHER	05JAN00
TOLERANCES UNLESS OTHERWISE SPECIFIED:		APVD	D BRATINA	05JAN00
0 PLC	± -	PRODUCT SPEC		
1 PLC	± -	APPLICATION SPEC		
2 PLC	± 0.25 [.010]			
3 PLC	± -			
4 PLC	± -			
ANGLES	± -			
MATERIAL	SEE TABLE	FINISH		
		WEIGHT		
		CUSTOMER DRAWING		
		SCALE	4:1	SHEET 1 OF 1
		REV	T6	



HOUSING, RECEPTACLE, FASTON OR POSITIVE-LOCK, 6.35 [.250] SERIES