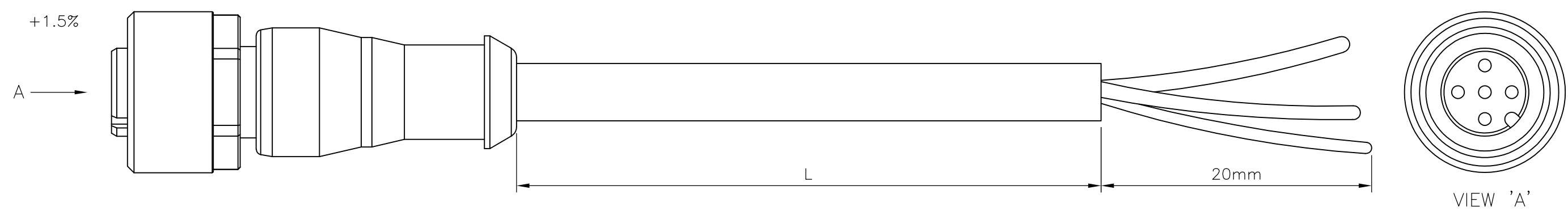


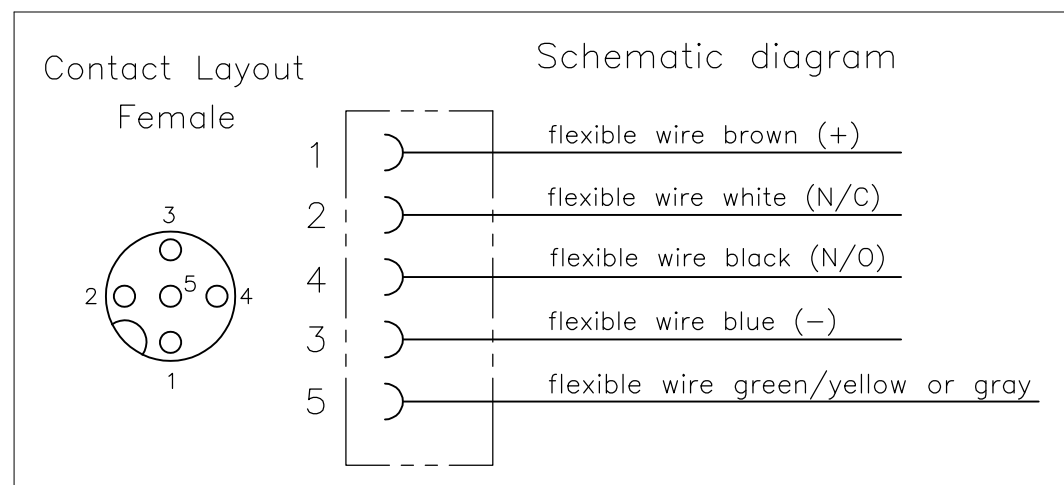
THIS DRAWING IS UNPUBLISHED. RELEASED FOR PUBLICATION
 © COPYRIGHT - By - ALL RIGHTS RESERVED.

LOC	DIST	REVISIONS			
P	LTR	DESCRIPTION	DATE	DWN	APVD
H	-	A	INITIAL RELEASE	16NOV2013	YC BvH
		A1	ECR-14-011671	16AUG2014	GSK BvH
		A2	ECR-15-008219	01JUN2015	GSK BvH

NOTES:
 Tolerances cable lengths:
 0m to 0.5m +30mm
 0.5m to 1.0m +50mm
 1.0m to 3.0m +100mm
 < 3.0m +1.5%



TECHNICAL DATA	
Operating voltage	max. 125 V AC/DC
Operating current per contact	max. 4 A
Locking of ports	Screw thread M12 x 1 mm (recommended torque 0.6 Nm) self-securing
Protection	IP65 and IP67 when plugged and screwed down (EN 60529)



PUR CABLE	
No./diameter of wires	5 x 0.34 mm ²
Wire isolation	PP (br, wh, bl, bk, gnye)
C-track properties	yes
Jacket	PUR (UL/CSA)
Outer diameter	approx. 5.0 mm
Bend radius (moving)	10 x outer diameter
Temperature range (fixed)	-50...+80 °C
Temperature range (mobile)	-25...+80 °C

LENGTH "L"	MATERIAL	JACKET COLOR	TE PN	DESCRIPTION	ITEM
5 pos	PVC	Black	1-2273035-6	5x22AWG PVC 30.0m	10
			1-2273035-5	5x22AWG PVC 20.0m	9
			1-2273035-4	5x22AWG PVC 10.0m	8
			1-2273035-3	5x22AWG PVC 5.0m	7
			1-2273035-2	5x22AWG PVC 3.0m	6
5 pos	PUR	Black	1-2273035-1	5x22AWG PVC 1.5m	5
			2273035-4	5x22AWG PUR 10.0m	4
			2273035-3	5x22AWG PUR 5.0m	3
			2273035-2	5x22AWG PUR 3.0m	2
2273035-1	5x22AWG PUR 1.5m	1			

PVC CABLE	
No./diameter of wires	5 x 0.34 mm ²
Wire isolation	PVC (br, wh, bl, bk, gnye)
C-track properties	
Jacket	PVC (UL/CSA)
Outer diameter	approx. 5.2 mm
Bend radius (moving)	10 x outer diameter
Temperature range (fixed)	-30...+80 °C
Temperature range (mobile)	-5...+80 °C

THIS DRAWING IS A CONTROLLED DOCUMENT.

DIMENSIONS: mm	TOLERANCES UNLESS OTHERWISE SPECIFIED:	DWN YATHISH.C 16NOV2013	TE Connectivity M12 X 1.0 STRAIGHT SOCKET PIGT A
	0 PLC ± -	CHK B.VELDHOVEN 16NOV2013	
	1 PLC ± -	APVD A.VAN ZANDVOORT 16NOV2013	
	2 PLC ± -	NAME	
	3 PLC ± -	PRODUCT SPEC	108-19483
	4 PLC ± -	APPLICATION SPEC	114-32127
	ANGLES ± -	WEIGHT	-
MATERIAL	FINISH	CUSTOMER DRAWING	SCALE NTS

SIZE A3	CAGE CODE 00779	DRAWING NO C-2273035	RESTRICTED TO
SHEET 1 OF 1		REV A2	