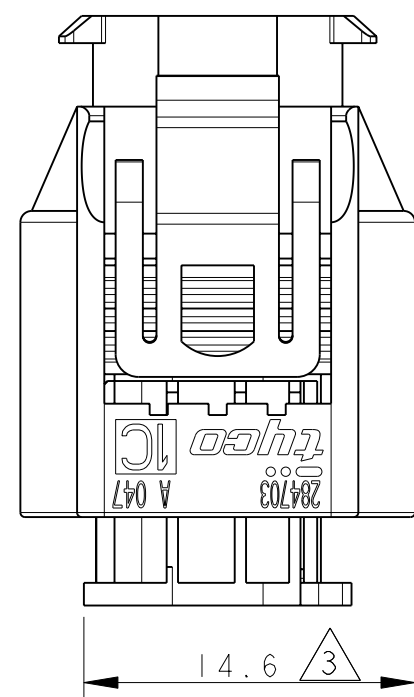
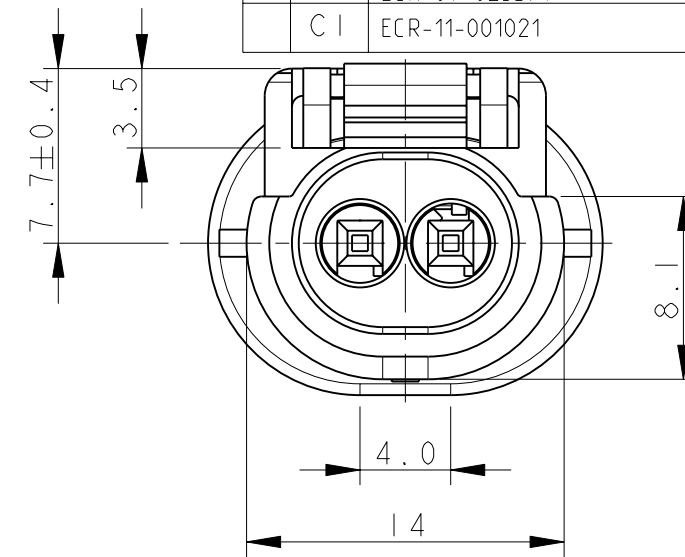
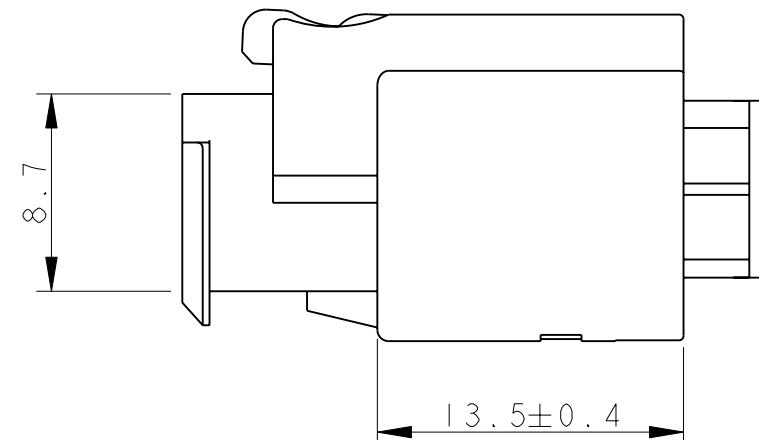
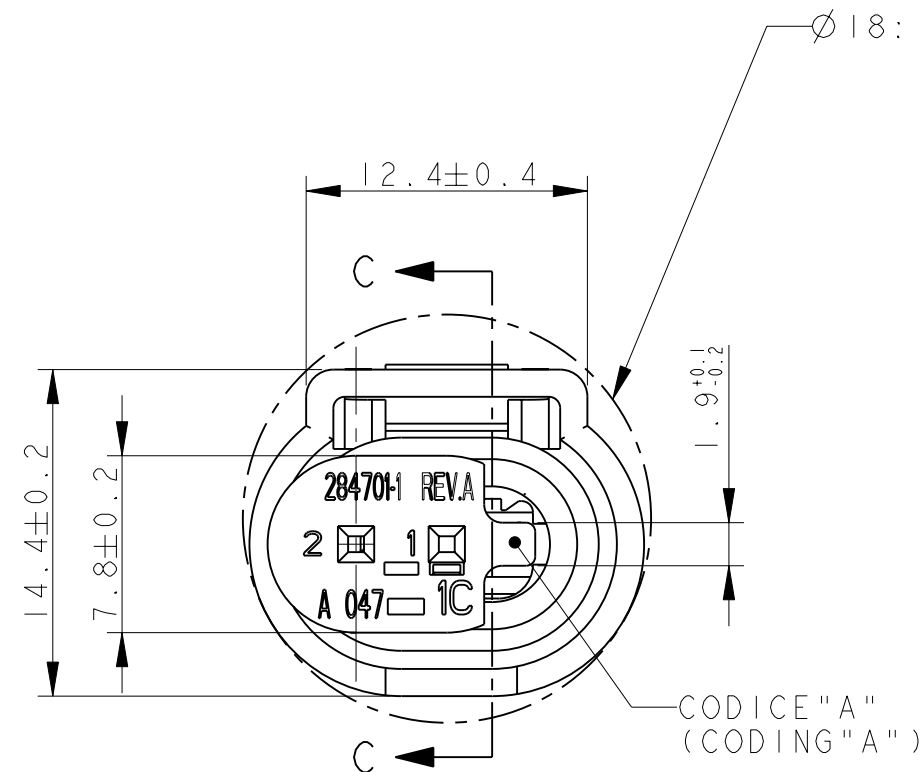
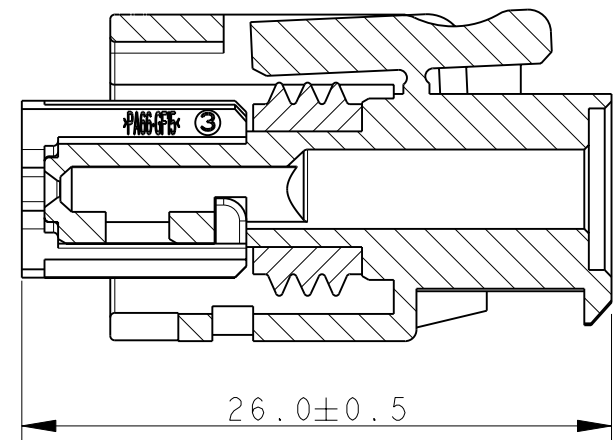


THIS DRAWING IS UNPUBLISHED. RELEASED FOR PUBLICATION  
 © COPYRIGHT BY TYCO ELECTRONICS CORPORATION. ALL RIGHTS RESERVED.

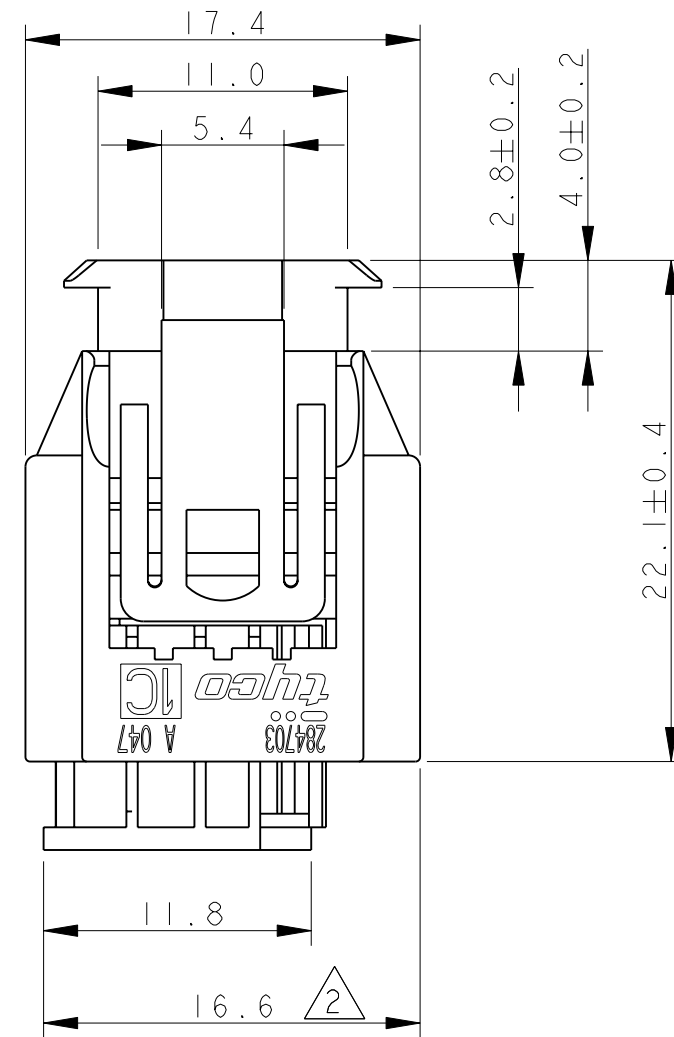
LOC		DIST		REVISIONS			
P	LTR	DESCRIPTION	DATE	DWN	APVD		
A		FIRST ISSUE (WAS 01-51020)	27AUG2001	A.P.	R.M.		
A1		CHANGED SEALING COLOUR (ET00-0259-01)	30OCT2001	A.P.	R.M.		
A2		REVISED PER ET00-0161-02	30OCT2002	P.Z.	R.M.		
A3		RELEASED FOR PRODUCTION FOR -1 (ET00-0002-03)	03FEB2003	P.Z.	R.M.		
A4		UPDATED GRAPHIC DRAWING (ECR-06-007324)	14DEC2005	P.Z.	O.C.		
B		CHANGED DWG. REVISION ACCORDING TO PART ECR-06-023010	03OCT2006	M.G.	R.M.		
C		MODIFIED LOCKING LANCE PROFILE ECR-07-025394	19DEC2007	D.B.	A.G.		
C1		ECR-11-001021	17JAN2011	M.P.	M.G.		

P/N 284703-1 AS SHOWN  
(CODING A)

SECTION C-C



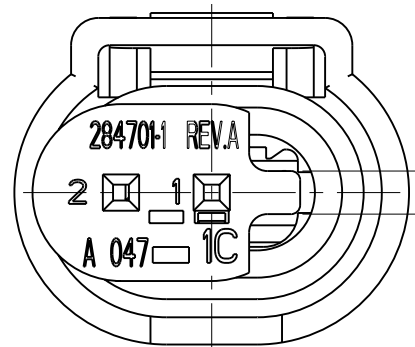
VISTA CON SECONDARY LOCK CHIUSO  
(VIEW WITH SECONDARY LOCK IN CLOSED POSITION)



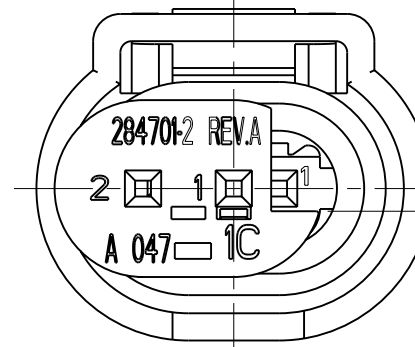
REVISIONE PRODOTTO  
(PRODUCT REVISION)

- LE CAVITA' SONO ADATTE PER INSERIRE I CONTATTI MQS: P/N 962885-... (0.35-0.5 mmq) E 965906-... (0.75 mmq) CON I RELATIVI GOMMINI PASSACAVO P/Ns 967067-1/-2. VEDERE LA SPECIFICA DI APPLICAZIONE 114-18025 PER LA CORRETTA AGGRAFFATURA (CAVITIES ARE SUITABLE FOR MQS SOCKET CONTACTS: P/N 962885-... (0.35-0.5sqmm) AND 965906-... (0.75sqmm) AND RELEVANT SINGLE WIRE SEAL P/Ns 967067-1/-2 SEE APPLICATION SPEC. No. 114-18025 FOR CORRECT WIRE CRIMP PARAMETERS)
- STATO DI FORNITURA, SECONDARY LOCK IN POSIZIONE PREASSEMBLATA (SUPPLYING CONDITION, SECONDARY LOCK IN PRE-ASSEMBLED POSITION)
- SECONDARY LOCK IN POSIZIONE CHIUSA (DOPO L'INSERIMENTO DEI CONTATTI IN CAVITA') PER LA CONNESSIONE CON LA CONTROPARTE (SECONDARY LOCK IN CLOSED POSITION (AFTER CONTACTS INSERTION INTO CAVITIES) FOR MATING ONTO COUNTERPART)
- ACCOPIABILE CON DIMA IN ACCORDO A 114-18063-012 E CON CONNETTORE P/N 967079-... (MATEABLE WITH INTERFACE ACCORDING TO 114-18063-012 AND WITH PIN CONNECTOR P/N 967079-...)

CODICI DI POLARIZZAZIONE / (POLARIZATION CODINGS)

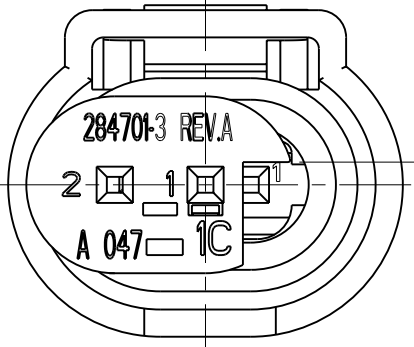


P/N 284703-1  
CODICE A / (CODING A)  
SECONDARY LOCK COLORE VERDE  
(SECONDARY LOCK GREEN COLOUR)



P/N 284703-2  
CODICE B / (CODING B)  
SECONDARY LOCK COLORE GRIGIO  
(SECONDARY LOCK GREY COLOUR)

PRELIMINARY  
PRE-PRODUCTION



P/N 284703-3  
CODICE C / (CODING C)  
SECONDARY LOCK COLORE BLU  
(SECONDARY LOCK BLUE COLOUR)

PRELIMINARY  
PRE-PRODUCTION

Q.TA' (Q.TY)	COLORE (COLOUR)	MATERIALE (MATERIAL)	DESCRIZIONE (DESCRIPTION)	NO. (ITEM)
1	NERO/(BLACK)	PA66 GF	BLOCCETTO/(HOUSING)	3
1	TRASPARENTE/(TRANSPARENT)	LSR	GUARNIZIONE/(SEALING)	2
1	VED. TABELLA CODICI POLARIZ. (SEE POLARIZATION CODINGS TABLE)	PA66 GF	SECONDARY LOCK	1

DIMENSIONS: mm 		TOLERANCES UNLESS OTHERWISE SPECIFIED: 0 PLC ±0.3 1 PLC ±0.3 2 PLC ±0.3 3 PLC ± 4 PLC ± ANGLES ± FINISH -		DWN A PLAZIO 30MAR2001 CHK R. MARTINI 30MAR2001 APVD A. GENTA 30MAR2001 PRODUCT SPEC 108-20234 APPLICATION SPEC 411-20066 WEIGHT -		Tyco Electronics Tyco Electronics AMP Italy S.r.l. C.so F.lli Cervi, 15 - Collegno (TO)		NAME MQS SOCKET HOUSING 2POS. ASS'Y SIZE A2 CAGE CODE 00779 DRAWING NO C-284703		RESTRICTED TO -	
MATERIAL SEE TABLE				CUSTOMER DRAWING		SCALE 3:1		SHEET 1 OF 1		REV C1	