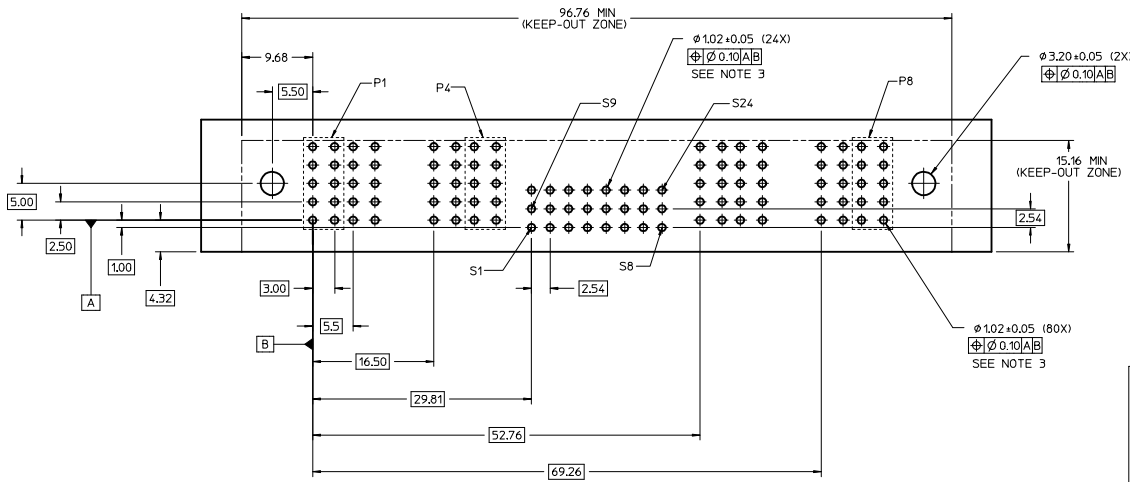
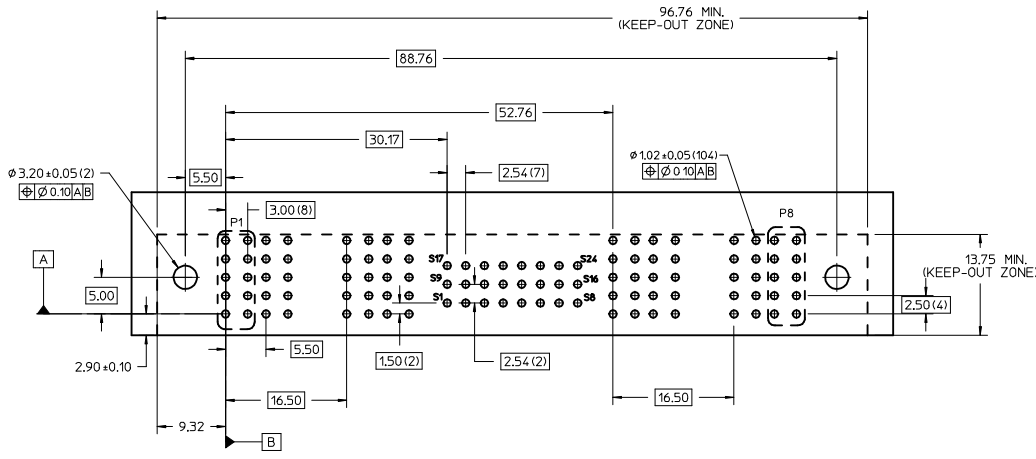
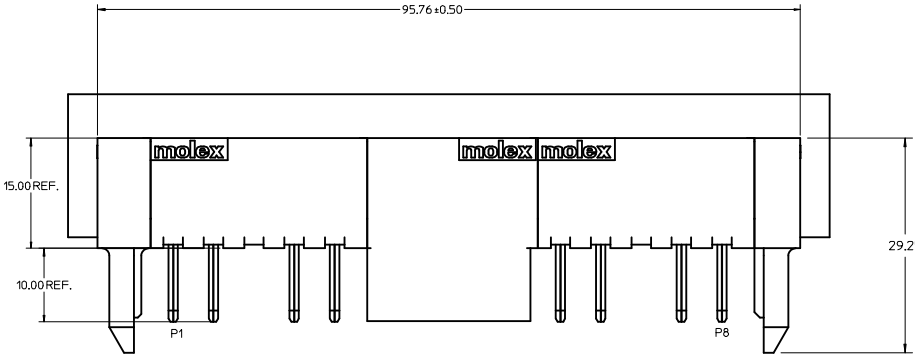


MATING PROFILE
(SHOWN MATED TO PLUG ASSY 46437-1069)

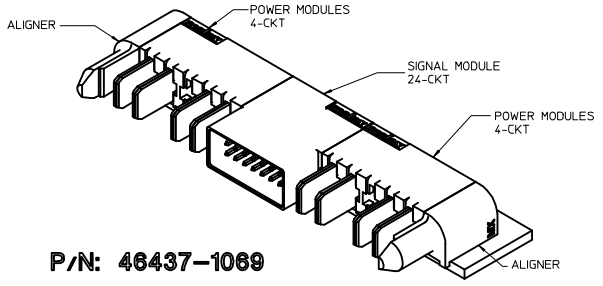
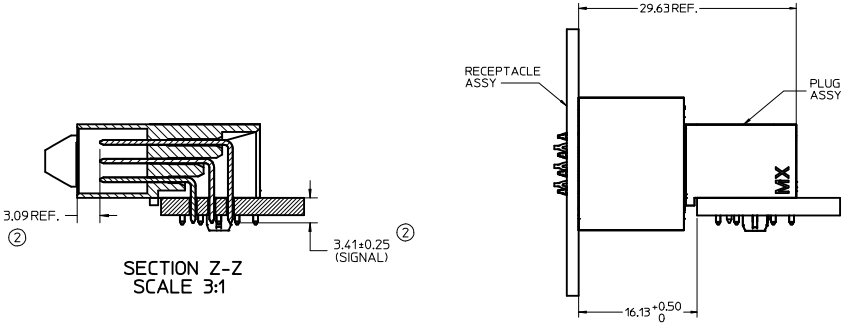
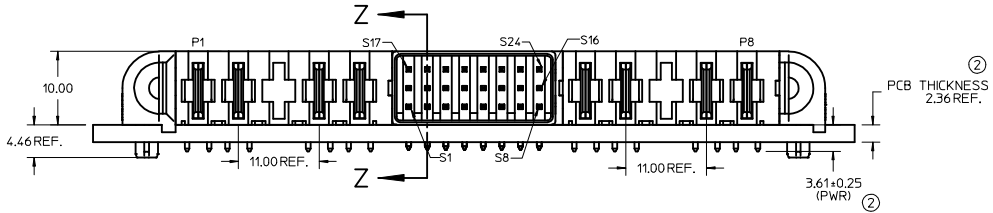


- NOTES:
- MATERIAL:
 - HOUSINGS: LCP UL94 V-0, COLOR: BLACK
 - TERMINALS: COPPER ALLOY
 - PLATING: 127 MICROMETER (50 MICRONINCH) NICKEL OVERALL WITH 2.54 MICROMETER (100 MICRONINCH) SELECTIVE TIN ON TAILS AND 0.762 MICROMETER (30 MICRONINCH) SELECTIVE GOLD ON CONTACT AREA
 - PACKAGING: ASSEMBLIES TO BE TRAY PACKED PER PACKAGING SPEC: TBD
 - PLATED THRU HOLE SIZE, REFER TO PS-4636-100 FOR DETAILS
 - PRODUCT SPEC: PS-46436-100
 - APPLICATION SPEC: AS-46436-100
 - PRODUCT TO MEET RoHS REQUIREMENTS
 - ASSEMBLY MATES WITH PLUG ASSEMBLY P/N 46437-1069
 - TAIL DESIGN: SOLDER TAIL
 - POWER CONTACTS ARE LUBRICATED

INITIAL RELEASE EC NO: LCP2012-4338 DRAWN BY: JOUILLES CHYK/BPISZCZOR APPROV: APATEL DATE: 2012/07/05 DATE: 2012/07/05 DATE: 2012/10/18	QUALITY SYMBOLS	GENERAL TOLERANCES (UNLESS SPECIFIED)	DIMENSION STYLE	SCALE	DESIGN UNITS	THIRD ANGLE PROJECTION
	▽=0	4 PLACES ± ---	MM ONLY	3:1	METRIC	RECEPTACLE ASSY
	▽=0	3 PLACES ± ---	DRAWN BY: JOUILLES	DATE: 2012/07/05	TITLE: G-4DC(V)-24S-4DC(V)-G	TEN60 MATED SET
	▽=0	2 PLACES ± 0.13	CHECKED BY: BPISZCZOR	DATE: 2012/07/05	APPROVED BY: APATEL	DATE: 2012/10/18
		1 PLACE ± 0.25	ANGULAR ± 1/2°	MATERIAL NO: 46436-1069	DOCUMENT NO: SD-46436-1069	SHEET NO: 1 OF 1
		0 PLACE ± ---	DRAFT WHERE APPLICABLE MUST REMAIN WITHIN DIMENSIONS	SIZE: D	THIS DRAWING CONTAINS INFORMATION THAT IS PROPRIETARY TO MOLEX INCORPORATED AND SHOULD NOT BE USED WITHOUT WRITTEN PERMISSION	



RECOMMENDED PCB LAYOUT AND KEEP-OUT ZONE

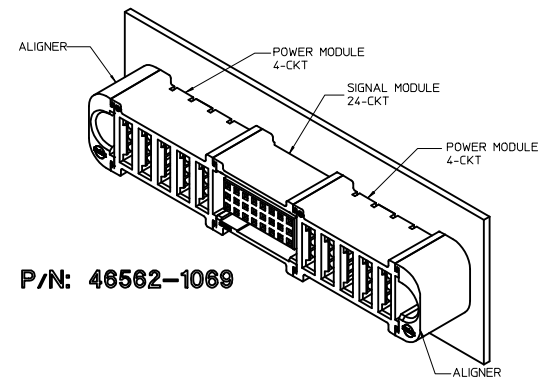
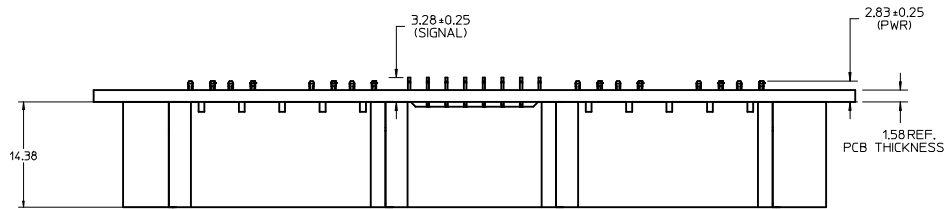


P/N: 46437-1069

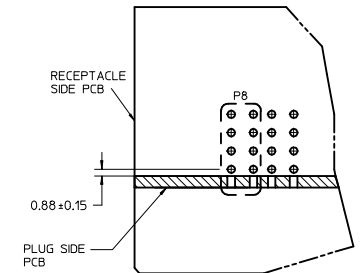
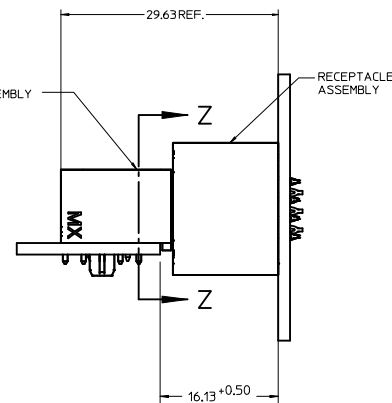
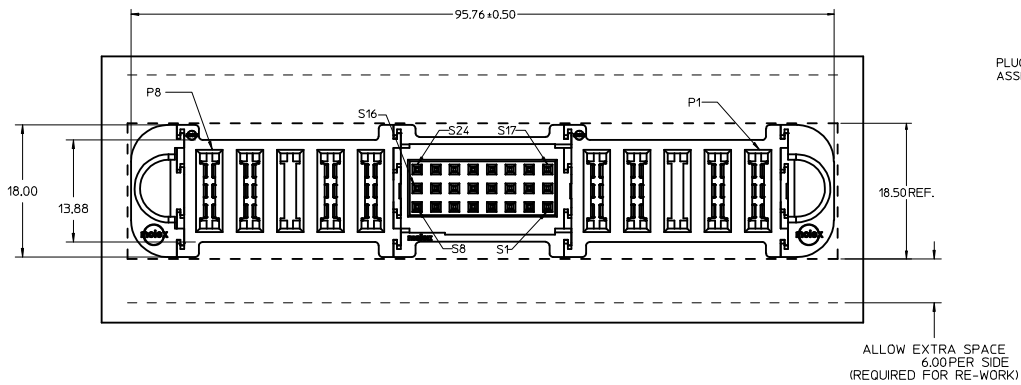
NOTES:

- MATERIAL:
 - HOUSINGS: LCP UL94 V-0, COLOR BLACK.
 - TERMINALS: COPPER ALLOY
 - PLATING: .00127/0.00050 NICKEL OVERALL WITH 0.00254/0.000100 SELECTIVE TIN ON SOLDER TAILS AND 0.000762/0.00030 SELECTIVE GOLD ON CONTACT AREA.
- PACKAGING: ASSEMBLIES TO BE TRAY PACKED PER PACKAGING SPEC PK-46437-XXX.
- PRODUCT SPEC: PS-46436-100.
- APPLICATION SPEC: AS-46436-100.
- PRODUCT TO MEET RoHS REQUIREMENTS.
- ASSEMBLY MATES TO MOLEX VERTICAL RECEPTACLE ASSEMBLY P/N: 46562-1069.

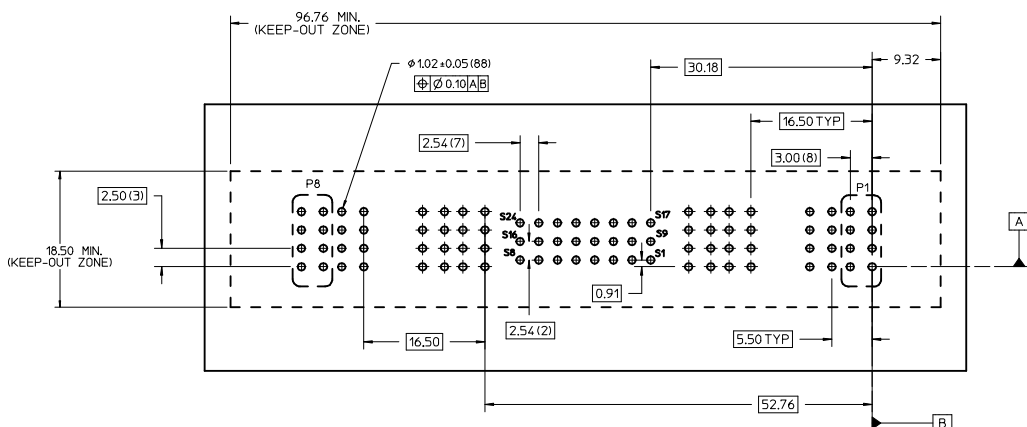
LONGER TAILS EC NO: UCP2009-2085 2009/03/04 DRWNR:KOSTIC 2009/03/04 CHKD: APPR:APATEL 2009/03/10 REV DESCRIPTION	QUALITY SYMBOLS	GENERAL TOLERANCES (UNLESS SPECIFIED)	DIMENSION STYLE	SCALE	DESIGN UNITS	THIRD ANGLE PROJECTION
		mm INCH	MM ONLY	2:1	METRIC	
	4 PLACES ± --- ± ---	mm INCH	DRAWN BY	DATE	TITLE	
	3 PLACES ± --- ± ---	mm INCH	BKOSTIC	2008/08/07	RA PLUG ASSY	
	2 PLACES ± 0.25 ± 0.10	mm INCH	CHECKED BY	DATE	TEN50 POWER FAMILY	
	1 PLACE ± 0.25 ± ---	mm INCH	KOSTIC	2008/05/16	4P-24S-4P	
	ANGULAR ± 1/2°		APPROVED BY	DATE	MOLEX INCORPORATED	
	DRAFT WHERE APPLICABLE		PATEL		MATERIAL NO. 46437-1069	
	MUST REMAIN WITHIN DIMENSIONS				DOCUMENT NO. SD-46437-169	
			SIZE		SHEET NO. 1 OF 1	
			D		THIS DRAWING CONTAINS INFORMATION THAT IS PROPRIETARY TO MOLEX INCORPORATED AND SHOULD NOT BE USED WITHOUT WRITTEN PERMISSION	



P/N: 46562-1069



PARTIAL SECTION Z-Z
SCALE 3:1



RECOMMENDED PCB LAYOUT AND KEEP-OUT ZONE

NOTES:

1. MATERIAL:
 - HOUSINGS: LCP UL94 V-0, COLOR: BLACK.
 - TERMINALS: COPPER ALLOY.
 - PLATING: 0.000127/0.000050 NICKEL OVERALL WITH 0.00254/0.00100 SELECTIVE TIN ON COMPLIANT PINS, AND 0.000762/0.000030 SELECTIVE GOLD ON CONTACT AREA.
2. PACKAGING ASSEMBLIES TO BE TRAY PACKED PER PACKAGING SPEC PK-46562-XXX.
3. PRODUCT SPEC: PS-46436-100.
4. APPLICATION SPEC: AS-46436-100.
5. PRODUCT TO MEET ROHS REQUIREMENTS.
6. ASSEMBLY MATES WITH PLUG ASSEMBLY, P/N 46437-1069.

PRELIMINARY IEC NO: LCP2009-2085 DRAWN BY: BKOSTIC CHYK: 2009/03/04 APPR: APATEL DATE: 2009/03/10	QUALITY SYMBOLS	GENERAL TOLERANCES (UNLESS SPECIFIED)	DIMENSION STYLE	SCALE	DESIGN UNITS	THIRD ANGLE PROJECTION	
		mm INCH	MM ONLY	3:1	METRIC		
		4 PLACES ± --- ± ---	DRAWN BY DATE	TITLE			
		3 PLACES ± --- ± .010	CHECKED BY DATE	VERT. RECEPT ASSY			
	2 PLACES ± 0.25 ± .010	APPROVED BY DATE	4P-24S-4P				
	1 PLACE ± 0.25 ± ---	ANGULAR ±1/2°	TEN60 POWER FAMILY				
	DRAFT WHERE APPLICABLE MUST REMAIN WITHIN DIMENSIONS	MATERIAL NO.	MOLEX INCORPORATED				
		46562-1069	SD-46562-169				
		DOCUMENT NO.	SHEET NO.				
			1 OF 1				