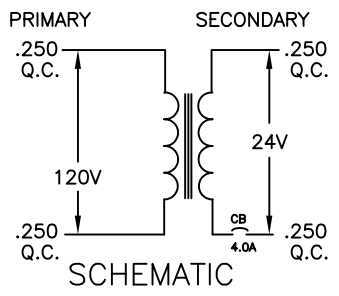
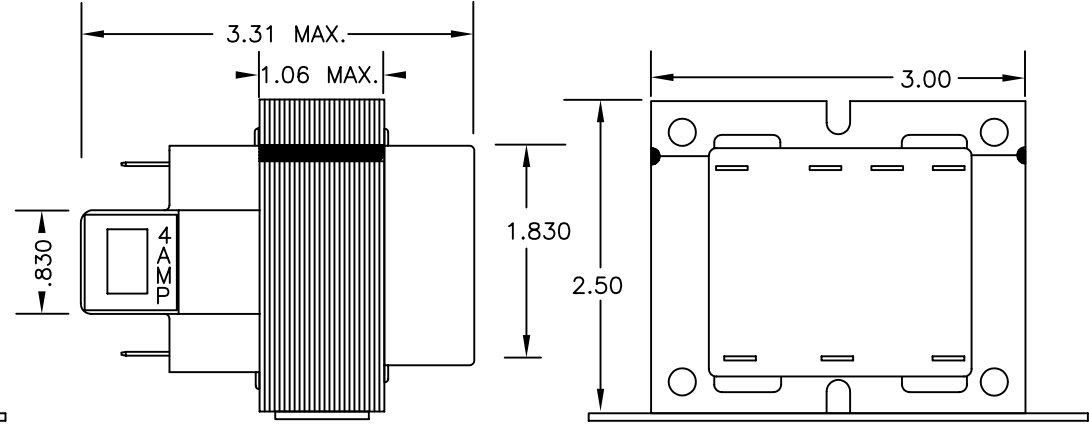


PRIMARY					SECONDARY				
TERM NO.	1	2	3	4	5	6	7	8	9
VOLTAGE	COM	120				24	VAC		
TERMINAL WIDTH	.250	.250				.250	.250		
TERMINAL THICKNESS	.032	.032				.032	.032		

NOTES:
 1. DIMENSIONS FOR REFERENCE ONLY.
 2. WINDING PROTECTION-4.0 AMP CIRCUIT BREAKER IN SECONDARY NON-INHERENTLY LIMITED

CERTIFICATION:UL/CUL FILE NO E87824



TYCO PART NUMBER
 6-1611513-1

THIS DRAWING IS A CONTROLLED DOCUMENT.		DWN K.H.	26JAN07	<p>Tyco Electronics Corporation Harrisburg, PA 17105-3608</p>
DIMENSIONS: INCHES		CHK DH	26JAN07	
		APVD HT	26JAN07	
TOLERANCES UNLESS OTHERWISE SPECIFIED:		PRODUCT SPEC		TRANSFORMER OUTLINE P.U. STOCK
0 PLC ± - 1 PLC ± - 2 PLC ± .01 3 PLC ± .005 4 PLC ± - ANGLES ± -		APPLICATION SPEC		
MATERIAL		WEIGHT		RESTRICTED TO
FINISH		CUSTOMER DRAWING		SIZE: A3 CAGE CODE: 00779 DRAWING NO: C=4000-01J15BB999
		SCALE: 1:1		SHEET: 1 of 1
				REV: A