

E

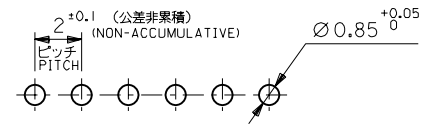
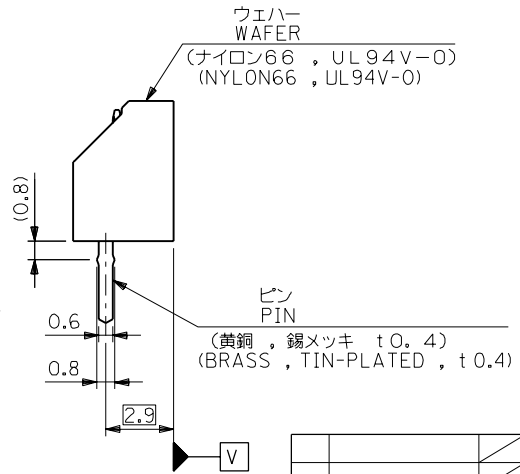
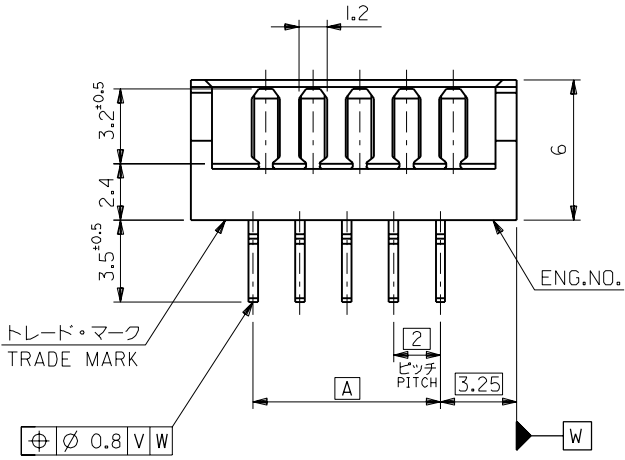
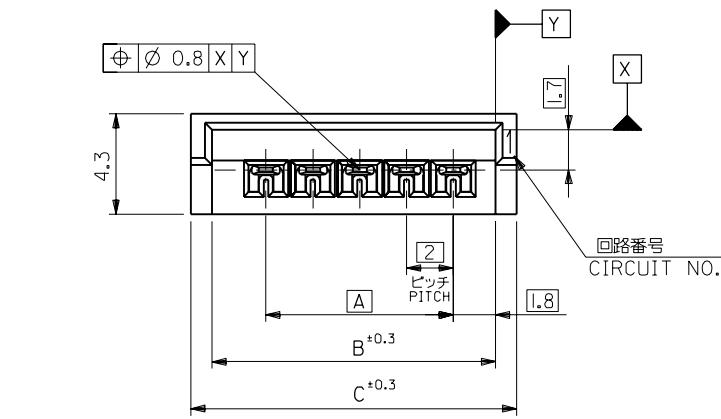
D

C

B

A

MM DIMENSIONS IN METRIC DO NOT SCALE DRAWING



基板取付穴推奨寸法
RECOMMENDED P.C. BOARD HOLE DIM.

注記
NOTES

1. 嵌合相手 : 5513-NAPB , 5513-NCPB
MATES WITH 5513-NAPB , 5513-NCPB
2. メス側との基板取付穴のスレについては図面 SD-5513-NCPB を参照のこと。
REFER TO SD-5513-NCPB FOR P.C. BOARDS POSITIONING DIMENSIONS.

43.9	42.1	38	39-26-9206	5512 - 20A	20
41.9	40.1	36	- 9196	- 19A	19
39.9	38.1	34	- 9186	- 18A	18
37.9	36.1	32	- 9176	- 17A	17
35.9	34.1	30	- 9166	- 16A	16
33.9	32.1	28	- 9156	- 15A	15
31.9	30.1	26	- 9146	- 14A	14
29.9	28.1	24	- 9136	- 13A	13
27.9	26.1	22	- 9126	- 12A	12
25.9	24.1	20	- 9116	- 11A	11
23.9	22.1	18	- 9106	- 10A	10
21.9	20.1	16	- 9096	- 09A	9
19.9	18.1	14	- 9086	- 08A	8
17.9	16.1	12	- 9076	- 07A	7
15.9	14.1	10	- 9066	- 06A	6
13.9	12.1	8	- 9056	- 05A	5
11.9	10.1	6	- 9046	- 04A	4
9.9	8.1	4	- 9036	- 03A	3
7.9	6.1	2	39-26-9026	5512 - 02A	2
C	B	A	EDP NO.	ENG. NO.	極致 CKT.

角度 ANGLE	±3°				
30 以上 OVER	+0.3				
10 以上 30 未満 OVER UNDER	+0.25				
10 未満 UNDER	+0.2				
再作図 REDRAWN	(JC60160)	DR. / H. / DATE	1. / 1. / '95/9/14	CHK'D BY '95/9/19	H.HIRAMOTO
変更内容 REVISION RECORD		DR. / CHK. / DATE		APP'D BY '95/9/19	M.FUKUSHIMA
一般公差 GENERAL TOLERANCES				尺度 SCALE	5 : 1

材料 MATERIAL	図中参照 DESCRIBED IN THE DRAWING
仕上げ FINISH	—
適用電線範囲 WIRE RANGE	—
被覆外径 INS. RANGE	—
DRAWN BY '95/9/14	T.YASUI
CHK'D BY '95/9/19	H.HIRAMOTO
APP'D BY '95/9/19	M.FUKUSHIMA

molex MOLEX-JAPAN CO.,LTD. 日本モレックス株式会社	
REVISE ONLY ON CAD SYSTEM	
TITLE 名称 2.0 BOARD TO BOARD CONN. WAFER ASSY	
DWG. NO. SD-5512-NA	REV D