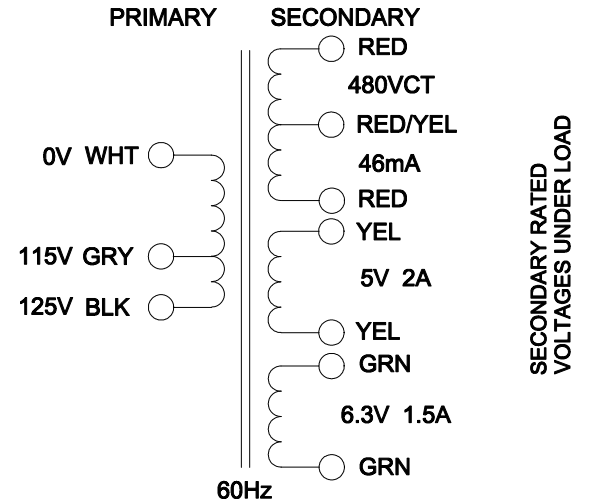
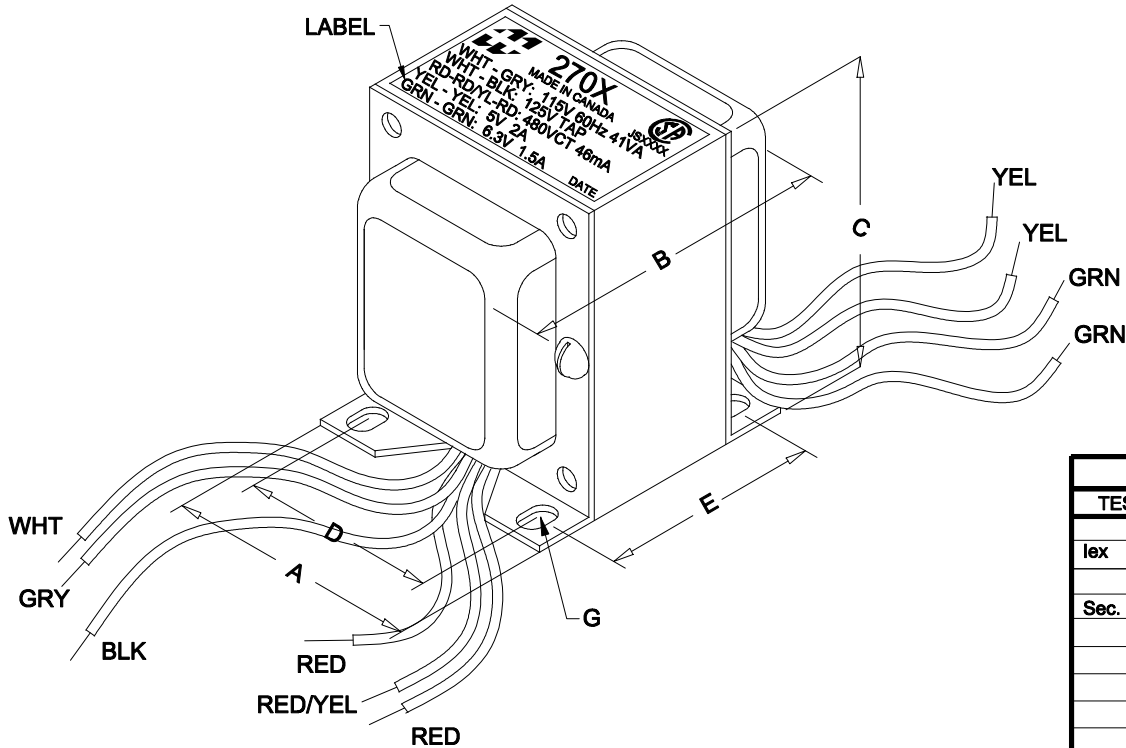


DIMENSIONS:

A	2.188" ±0.063
B	2.500" ±0.125
C	2.625" ±0.063
D	1.750" ±0.063
E	1.438" ±0.063
G	0.188" x 0.250" ±0.015



NOTE: ALL LEADS 6" OUT MIN. STRIPPED 0.5"

ELECTRICAL DATA:		
TESTS	CONDITIONS	ACCEPTANCE CRITERIA
I _{ex}	@ 125V, 60Hz, WHT - BLK	122.4mA Max.
Sec. N.L.V	@ 125V, 60Hz, WHT - BLK	
	RED - RED =	545.6V ±2%
	RED - RED/YEL = RED/YEL - RED =	272.8V ±2%
	YEL - YEL =	5.839V ±2%
	GRN - GRN =	7.117V ±2%
DCR	@ 20°C, WHT - BLK =	14.12 Ω ±20%
	@ 20°C, RED - RED =	562.5 Ω ±20%
	@ 20°C, YEL - YEL =	0.191 Ω ±20%
	@ 20°C, GRN - GRN =	0.211 Ω ±20%
HIPOT	PRIMARY - SECONDARY	2000V, 60Hz, 1 SEC

REV.#	REVISION	DATE	HAMMOND ELECTRONIC DIVISION	
0	RELEASED. C.I.	09/27/12	52 RANKIN PLACE, WATERLOO, ONTARIO, N2J 3Z5	
			PH # (519) 886-6181	FAX # (519) 886-9540
			DWG. BY: C. ILIE	CHK'D BY:
			DATE: 09/27/12	APP'D. BY:
			DATE: 09/27/12	DIMENSIONS: IN(X) MM()
			TITLE: POWER TRANSFORMER	DWG. NO. 270X