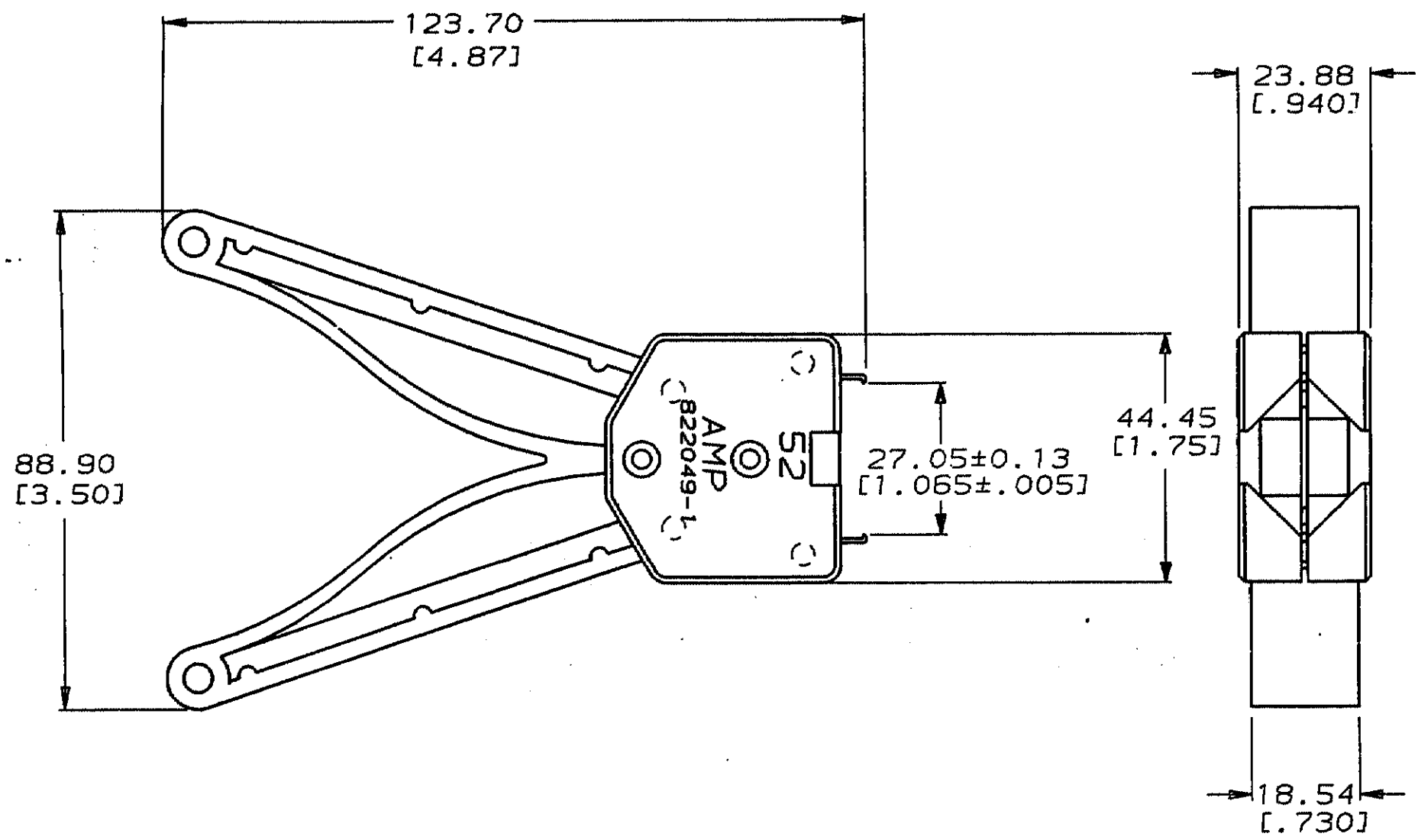


LOC	DIST	P	F	ZONE	LTR	REVISIONS	DATE	APPD
AG	53				B	REVISED PER AG-3047	10-27-92	PC CW



822049-1 SHOWN

DO NOT SCALE PRINT. UNLESS SPECIFIED DIMENSIONS IN mm [INCHES] TOLERANCES ON: 2 PLC DEC ± 0.2 [.01] 3 PLC DEC ± 0.25 [.010] ANGLES ± -		DR 8-1-91 C.WHITT		PART NO	
MATERIAL HANDLE- POLYACETAL END CAPS- POLYACETAL HOOK- STAINLESS STEEL 1.07±0.08 [.042±.003] THK		CHK 8-1-91 R.MILLER		AMP Incorporated Harrisburg, PA 17105-3608	
FINISH HANDLE- COLOR, BLUE END CAPS- COLOR, BLUE		APPD 8-7-91 K.KREIDLER		NAME TOOL, EXTRACTION, PLCC, 52 POSN.	
APPLICATION SPEC		APPD -		SIZE B	
WEIGHT -		PRODUCT SPEC -		CAGE CODE 00779	
		APPLICATION SPEC -		DRAWING NO 822049	
		WEIGHT -		SCALE 1:1	
				SHEET - OF -	