

THIS DRAWING IS UNPUBLISHED.

RELEASED FOR PUBLICATION

ALL RIGHTS RESERVED.

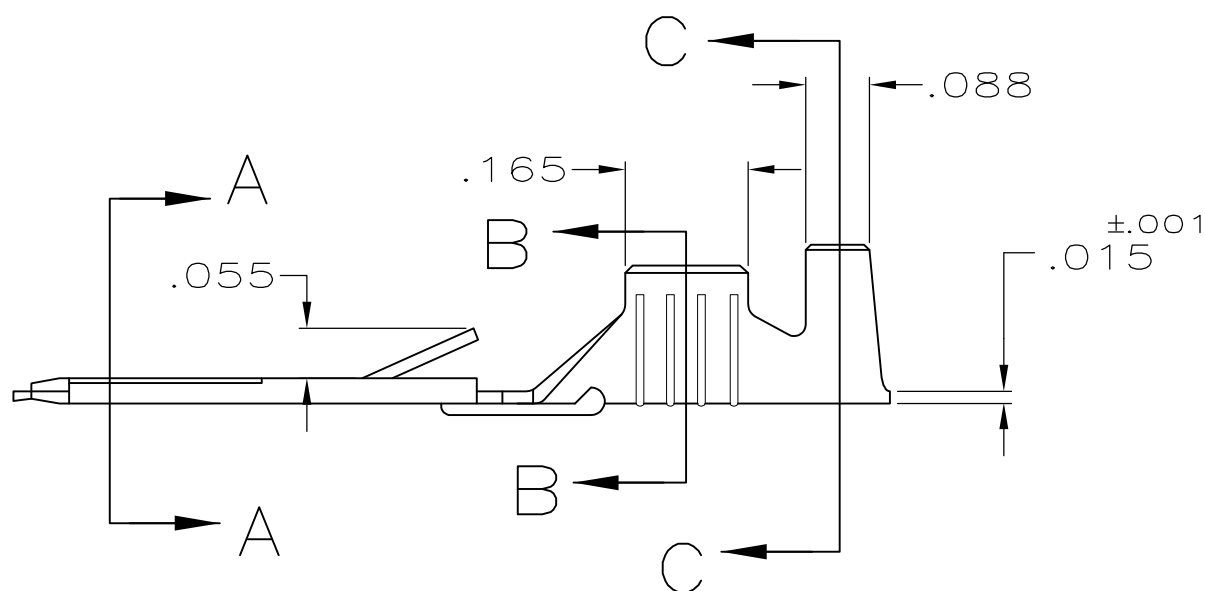
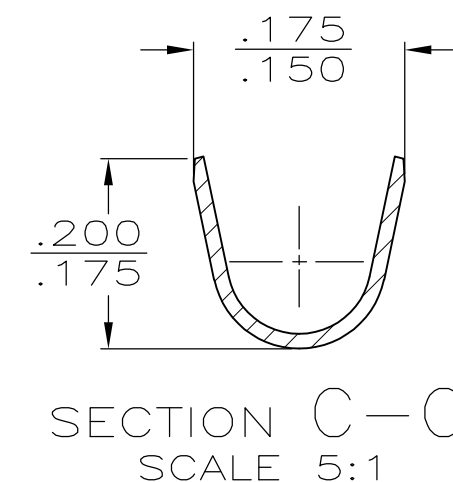
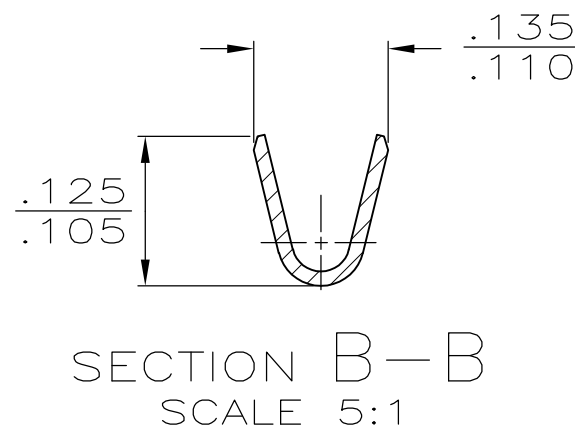
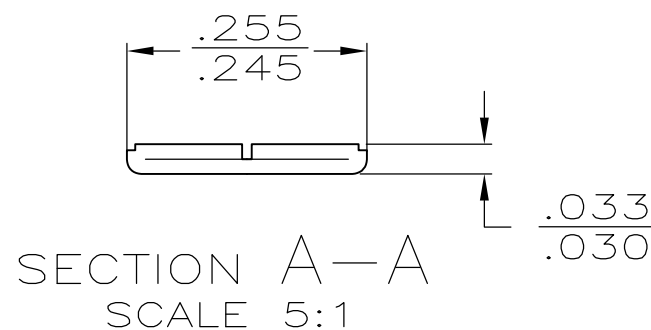
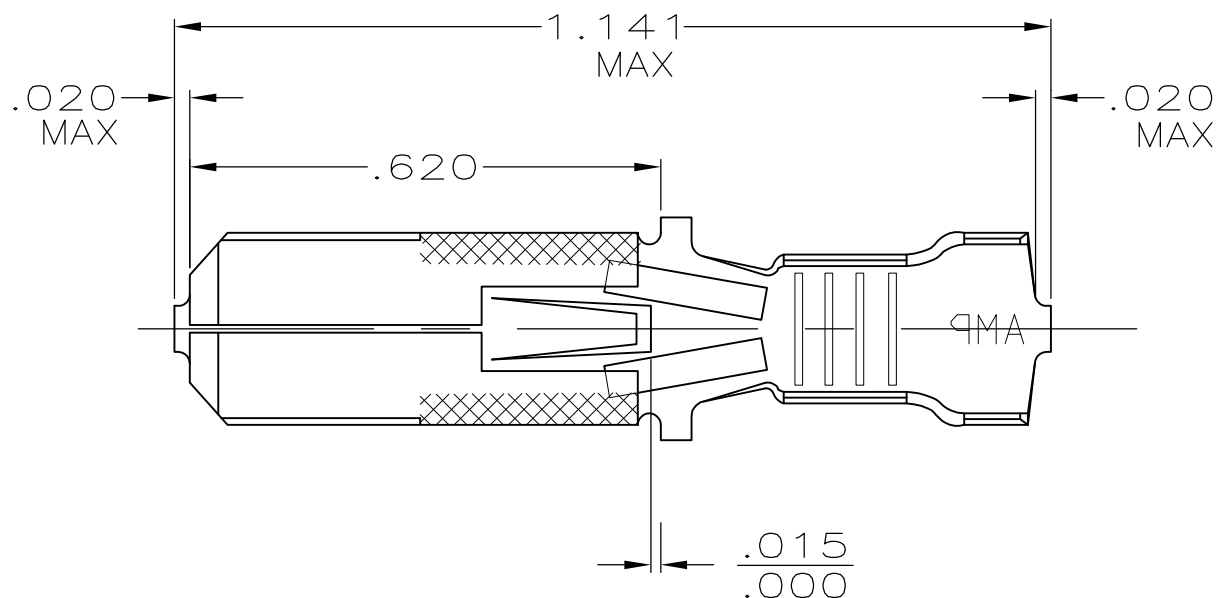
© COPYRIGHT - By -

LOC AF DIST 50


REVISIONS

P	LTR	DESCRIPTION	DATE	DWN	APVD
E		REVISED PER ECR-11-018063	22DEC11	KH	PD

1 SUPPLIED IN LOOSE PIECE



60294-2	.085-.125 DIA	#22-#18 AWG	61316-1
STRIP FORM	INSULATION RANGE	WIRE SIZE	PART NO.

THIS DRAWING IS A CONTROLLED DOCUMENT.		DWN JR RUTH 3/2/93	 TE Connectivity TAB, FASTIN-FASTON, .250 SERIES				
DIMENSIONS: INCHES		CHK MS FEHER 3/2/93					
TOLERANCES UNLESS OTHERWISE SPECIFIED:		APVD J GILLESPIE 3/2/93					
0 PLC ± - 1 PLC ± - 2 PLC ± - 3 PLC ± .015 4 PLC ± - ANGLES ± -		PRODUCT SPEC -					
MATERIAL 082 BRASS		FINISH TIN	APPLICATION SPEC -	SIZE A3	CAGE CODE 00779	DRAWING NO C-61316	RESTRICTED TO -
CUSTOMER DRAWING			WEIGHT -	SCALE 4:1	SHEET 1 OF 1	REV E	