

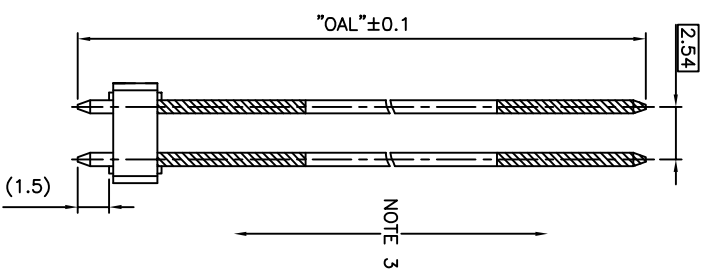
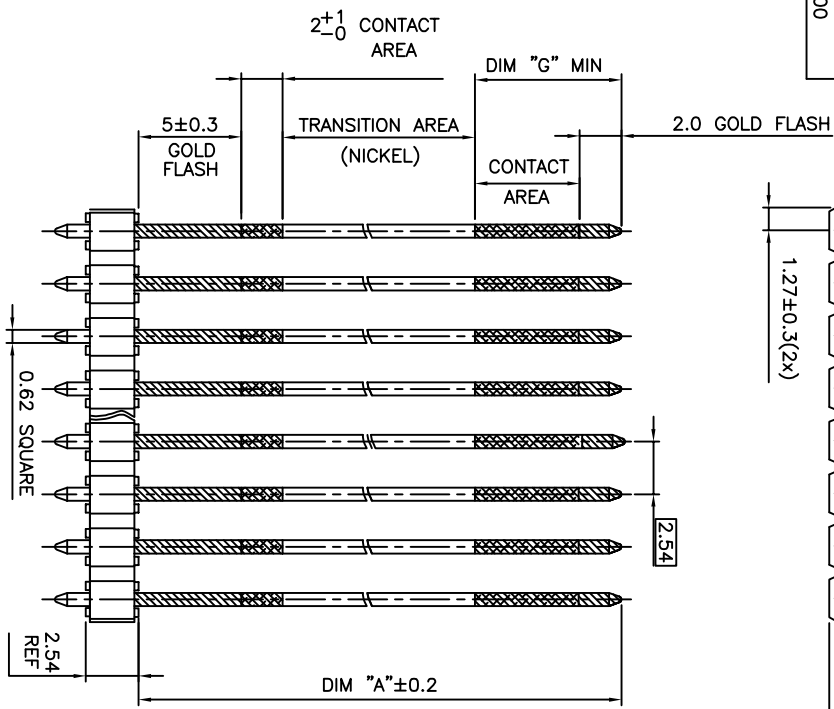
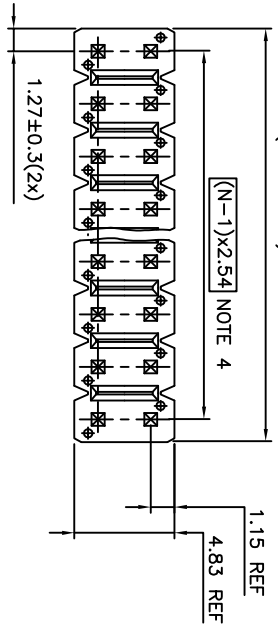
PRODUCT NUMBER
54775-XXX-XXLF

PLATING _____ ROHS COMPATIBLE, SEE NOTE 5
TOTAL NB OF POSITIONS

1 = 0.76µm GOLD/GXT ON CONTACT AREAS
1.27µm NICKEL MIN
6 = 0.76µm GXT (PdNi WITH GOLD FLASH) ON CONTACT AREAS OVER 1.27µm NICKEL MIN (ALTERNATIVE 0.76µm GOLD/GXT ON CONTACT AREAS)

PIN STYLE	DIM "A"	"OAL"	DIM "G" MIN
01	31.0	35.0	7.00
02	31.0	35.0	10.00

(N x 2.54) NOTE 4



NOTES:

- HOUSING MAT'L : HIGH TEMPERATURE THERMOPLASTIC; UL94V-0 COLOR: BLACK
- PIN MATERIAL : PHOSPHOR BRONZE
- 9N MIN RETENTION IN EITHER DIRECTION
- TO DETERMINE DIMENSIONS :
N = NUMBER OF POSITIONS PER ROW
EXAMPLE : 8 POS PER ROW, N x 2.54 = 20.32mm
- ROHS COMPATIBLE PRODUCT SPECIFICATIONS
 - d - PLATING:
 - "LF" MEANS THE PRODUCT IS LEAD-FREE,
 - b - MANUFACTURING PROCESS COMPATIBILITY
 - THE HOUSING WILL WITHSTAND EXPOSURE TO 260°C ±5°C SOLDER BATH TEMPERATURE FOR 5 SECONDS IN A WAVE SOLDER APPLICATION WITH A 1.6mm MIN THICK CIRCUIT BOARD.
 - c - LABELING:
 - MEETS PACKAGING SPECS AS PER GS-14-920
 - d - LEGAL STATEMENT: SEE GS-47-0004

Form A3 1 2 3 4 5 6

mat'l. code		surface		tolerance		projection		product family	
ltr	ecm no	dr	date	ISO 1302	ISO 406	ISO 1101	mm	title	type
H	F07-0207	LMU	07.06.06					UNSHR.HEADER	customer
J	F08-0148	RTR	08.03.31					STRAIGHT	customer
K	B-19264	LMU	14.10.31						
E	F06-0196	LMU	06.06.13	engr	U	COMPAGNON	02.03.04		
F	F06-0294	JCO	06.10.09	chr	JCO		02.04.02		
G	F07-0136	JCO	07.02.19	apprd	JCO		02.04.02		
sheet	revision								
index	sheet								