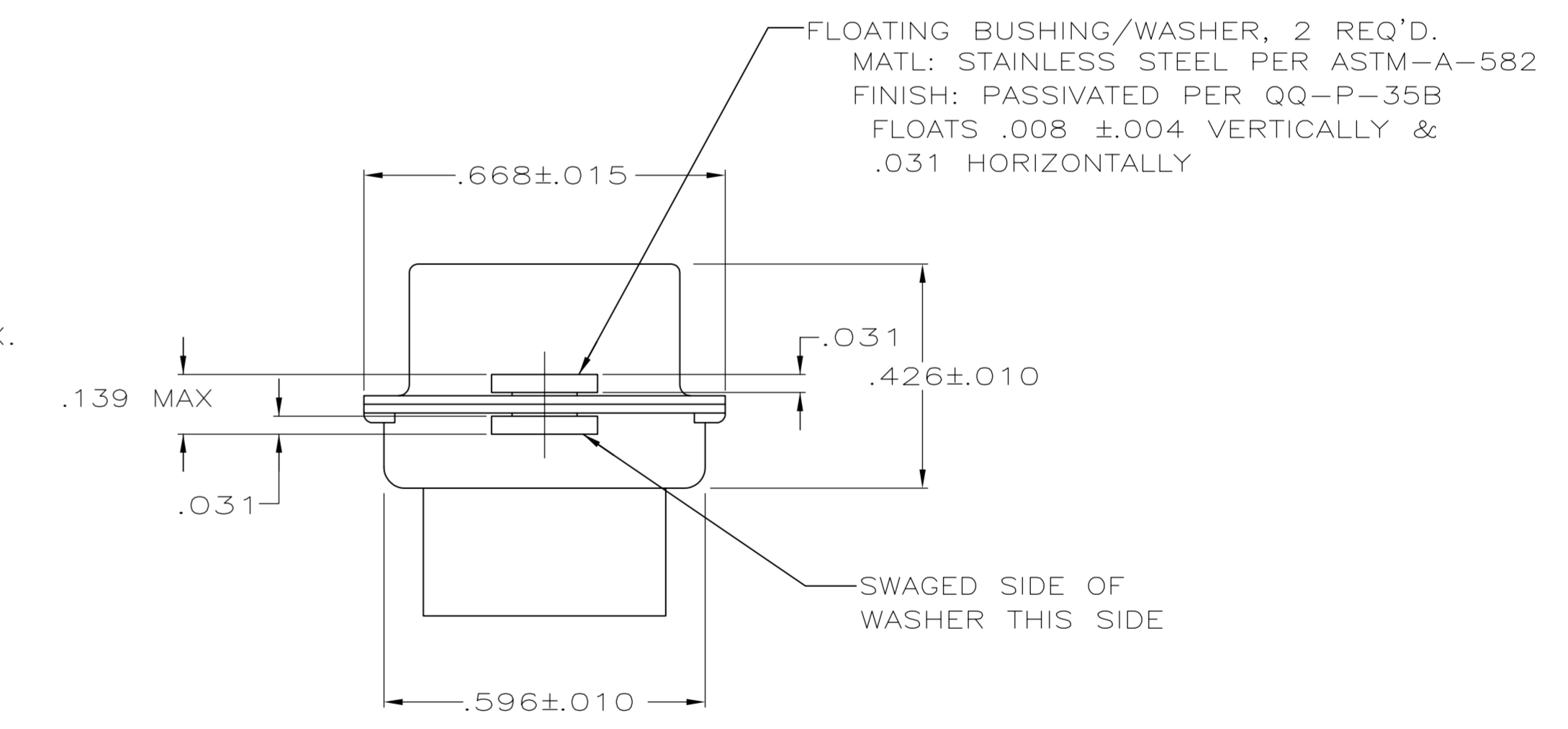
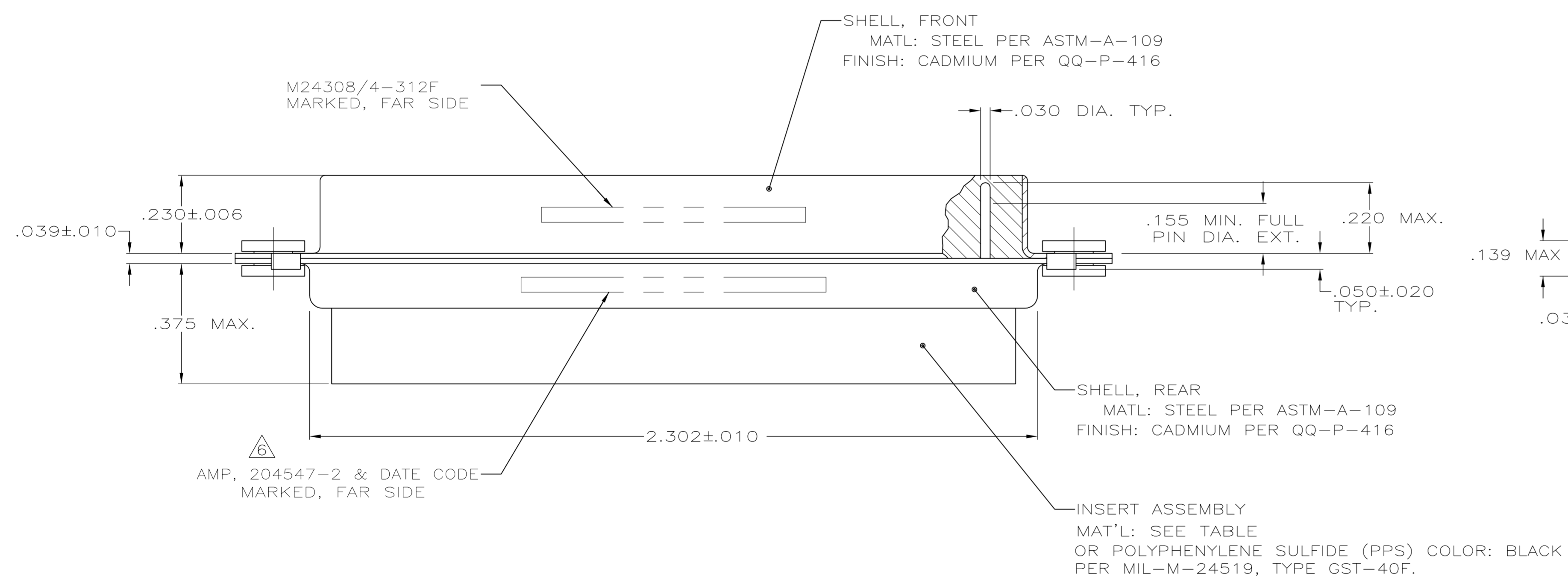
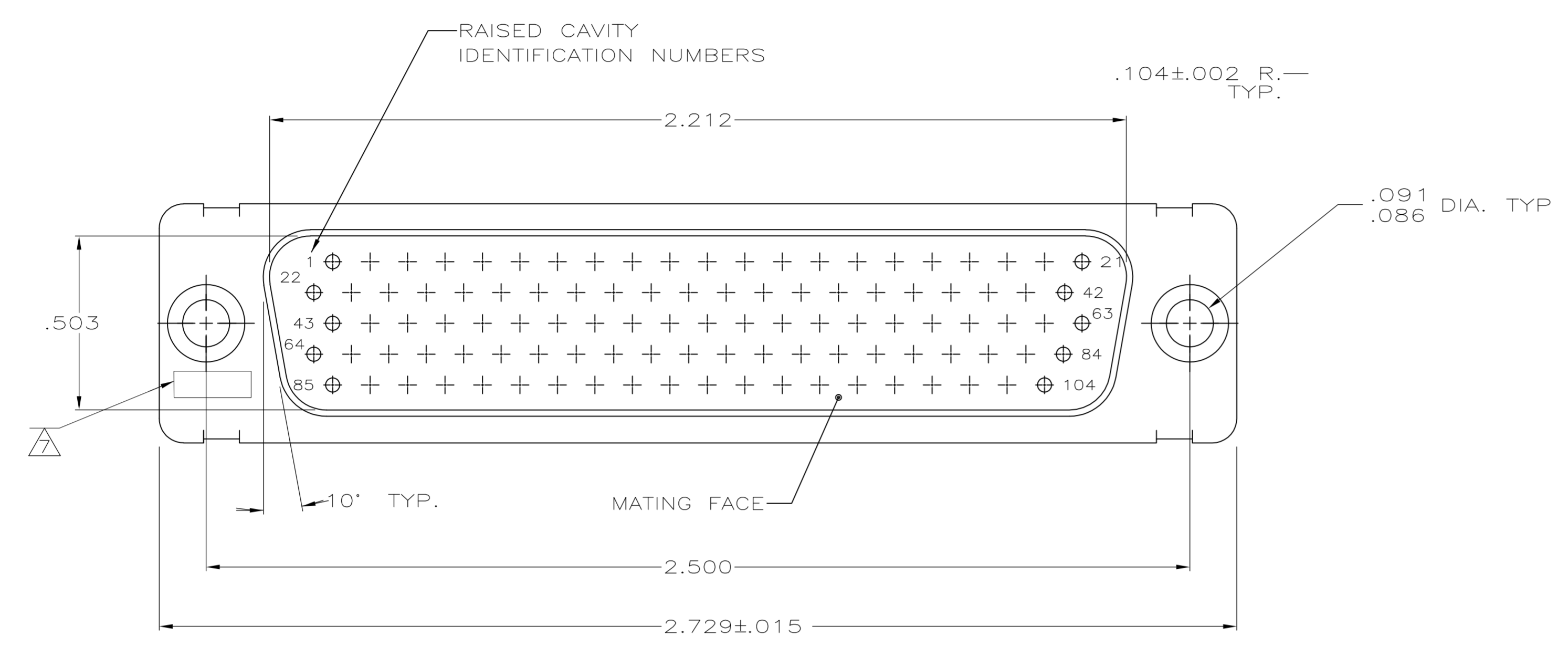


LOC		DIST		REVISIONS			
DF	DO	P	LTR	DESCRIPTION	DATE	OWN	APVD
S	REV PER ECO	10-001170			27JAN10	PY	RL



- THIS PLUG IS DESIGNED TO CONFORM TO THE LATEST ISSUE OF MIL-C-24308
 - MAX WIRE INSUL. TO BE USED WITH THIS PLUG IS .054 DIA.
 - METAL RETENTION CLIPS ARE INCLUDED IN INSERTS
 - PACKAGE MARKED M 24308/4-334F
 - THIS PLUG WILL ACCEPT SIZE 22 PIN CONTACT M 24308/13 OR AMP # 204370
- AMP PART NO. MARKED ON CONNECTOR REPRESENTS KIT NUMBER WITH CONTACTS

OBSOLETE	PHENOLIC COLOR: BLACK	204535-3
	DIALYL PATHALATE COLOR: BLUE	204535-1
	INSERT MAT'L	PART NO

THIS DRAWING IS A CONTROLLED DOCUMENT.		DIN C.C.THOMAS 12-5-87	Tyco Electronics Corporation Harrisburg, PA 17105-3608	
DIMENSIONS: INCHES		CHK F.C.BALLEW III 1-25-88	NAME F.C.BALLEW III 1-25-88	
TOLERANCES UNLESS OTHERWISE SPECIFIED:		PRODUCT SPEC		
0 PLC ± -		APPLICATION SPEC		
1 PLC ± -		SIZE 6, 104 POSN., SERIES 90 WITH FLOAT BUSHINGS		
2 PLC ± -		SIZE CAGE CODE DRAWING NO		
3 PLC ± .005		A1 00779 204535		
4 PLC ± -		WEIGHT -		
ANGLES ± 0°30'		CUSTOMER DRAWING		
MATERIAL SEE CALLOUTS		FINISH SEE CALLOUTS		SCALE 4:1 SHEET 1 OF 1 REV S