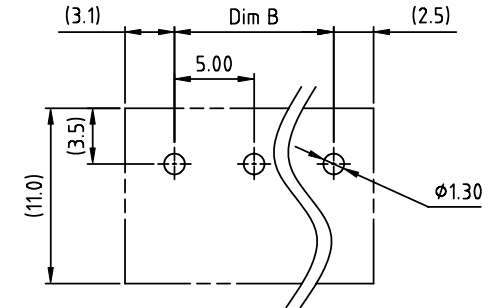
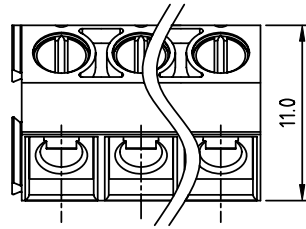
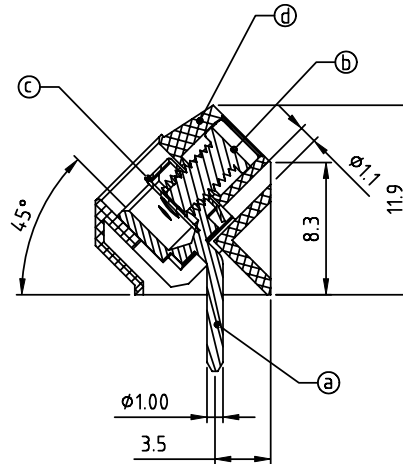
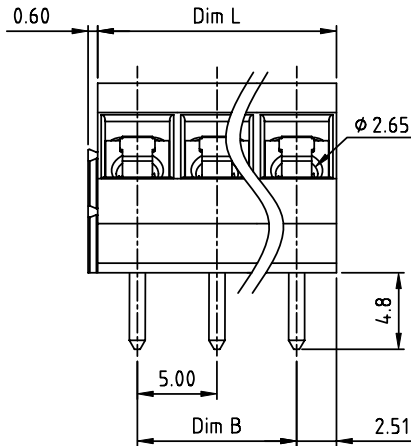


PRODUCT NUMBER	PITCH
VYxx01x000J0G	5.00 mm



RECOMMENDED P.C.B LAYOUT  
TOP VIEW



Material:

- Item (a) Terminal body (metal housing): Brass (CuZn), Tin plated
- Item (b) Terminal screw: Steel Zinc plating "-" slot type
- Item (c) Wire guard: Stainless steel
- Item (d) Insulator (housing): Thermoplastic (UL94V-0)

Electrical

- Voltage rating: 300VAC
- Current rating: 15A
- Wire range:
- Solid wire (AWG): 14-22
- Stranded wire (AWG): 14-22
- Torque (Lb-In): 3.5
- Screw: M2.6
- Wire strip length: 6-7mm
- Withstanding Voltage: 1.6KV
- Operating temperature: -40°C to +115°C
- Soldering temperature: 260°C ± 5°C / 5 Sec
- Safety approval: us

N=Number of poles

Dim L = N x 5.00
Dim B = (N-1) x 5.00

POLES	Tolerance
2P-5P	±0.15
6P-12P	±0.20
13P-18P	±0.25
19P-24P	±0.30

PART NO.: VY xx 01 x 0 00J0 G

End stackable	No. of poles	Body Color	RoHS compliant (lead < 4%) In copper Alloy
0	2	Black (RAL9005)	
02	2 poles	Red (RAL3001/D)	
03	3 poles	Orange (RAL2011/P)	
...	...	4 Yellow (RAL1018/A)	
...	...	5 Green (RAL6018/T)	
24	24 poles	6 Blue (RAL5015/A)	
		8 Grey (RAL7035/D)	
		9 White (RAL1102)	
		c Green (RAL6018/U)	

mat'l. code		surface ASME Y14.5 ✓	tolerance ASME Y14.5	projection 	product family TERMINAL BLOCK
ltr	ecn	no	dr	date	title
					TERMINAL BLOCK
					RIWIRE PROTECTOR, 45 DEGREE WIRE INLET
					dwg no
					sheet 1 of 1
					size
					VYxx01x000J0G
					A4
					type
					CUSTOMER Drawing
sheet index	revision	A			
	sheet	1			