

1. 製品名称／PRODUCT NAME : MLP-2.0 MICRO-LOCK PLUS PLUG ASSY SMT RA  
EMBOSSSED TAPE PACKAGING

製品番号／PART NUMBER : 5 0 5 5 7 8 \*\* 7 ☆

(\*\*は極数を示す。☆は色を示す。図面参照。)  
(\*\* IS CIRCUITS SIZE. ☆ IS COLOR. REFER TO DRAWING.)

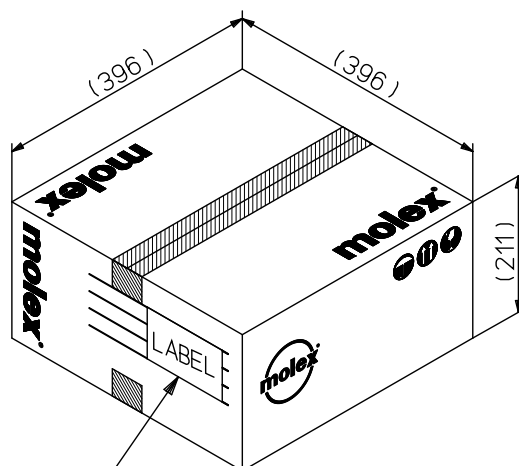
2. 標準梱包数／STANDARD PACKAGING QUANTITY

極数 CKT. SIZE	キャリア テープ幅 (mm) CARRIER TAPE WIDTH (mm)	1 リール中の製品数 QTY. PER REEL	外装カートン SHIPPING CARTON	
			梱包リール数 NUMBER OF REELS	製品数 QUANTITY
2	24	900	6	5,400
3				
4				
5	32	900	4	3,600
6				
7				
8	44	900	3	2,700
9				
10				
11				
12				
13	56	900	3	2,700
14				
15				
16				

REV.	A					
SHEET	1~2					
REVISE ON PC ONLY			TITLE:			
<b>A</b>	RELEASED 104441 2016/04/21 T.NAKAGAWA		5 0 5 5 7 8 梱包仕様書 SALES PACKAGING SPEC. FOR 505578			
	THIS DOCUMENT CONTAINS INFORMATION THAT IS PROPRIETARY TO MOLEX ELECTRONIC TECHNOLOGIES, LLC AND SHOULD NOT BE USED WITHOUT WRITTEN PERMISSION					
REV.	DESCRIPTION					
DESIGN CONTROL J		STATUS	WRITTEN BY: T.NAKAGAWA01	CHECKED BY: T.HARUYAMA	APPROVED BY: Y.ITO	DATE: 2016/04/21
DOCUMENT NUMBER 5055789200			DOC. TYPE PS	DOC. PART 200	CUSTOMER GENERAL	SHEET 1 OF 2

3. カートン外形参考寸法 / CARTON OUTER DIMENSIONS (REFERENCE PURPOSE ONLY)

単位 / UNIT: mm



カートンラベル  
CARTON LABEL

(製品型番, 数量, ロットNO. 表示)  
INDICATION OF PART No., QUANTITY, LOT No.

標準カートン  
STANDARD CARTON

<b>A</b>	REVISE ON PC ONLY	TITLE: <b>5 0 5 5 7 8 梱包仕様書</b> SALES PACKAGING SPEC. FOR 505578			
	SEE SHEET 1 OF 2				
REV.	DESCRIPTION	THIS DOCUMENT CONTAINS INFORMATION THAT IS PROPRIETARY TO MOLEX ELECTRONIC TECHNOLOGIES, LLC AND SHOULD NOT BE USED WITHOUT WRITTEN PERMISSION			
DOCUMENT NUMBER <b>5055789200</b>		DOC. TYPE <b>PS</b>	DOC. PART <b>200</b>	CUSTOMER <b>GENERAL</b>	SHEET 2 OF 2
EN-127(2015-12)					