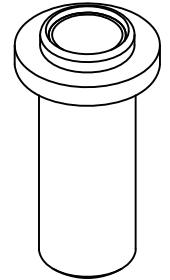
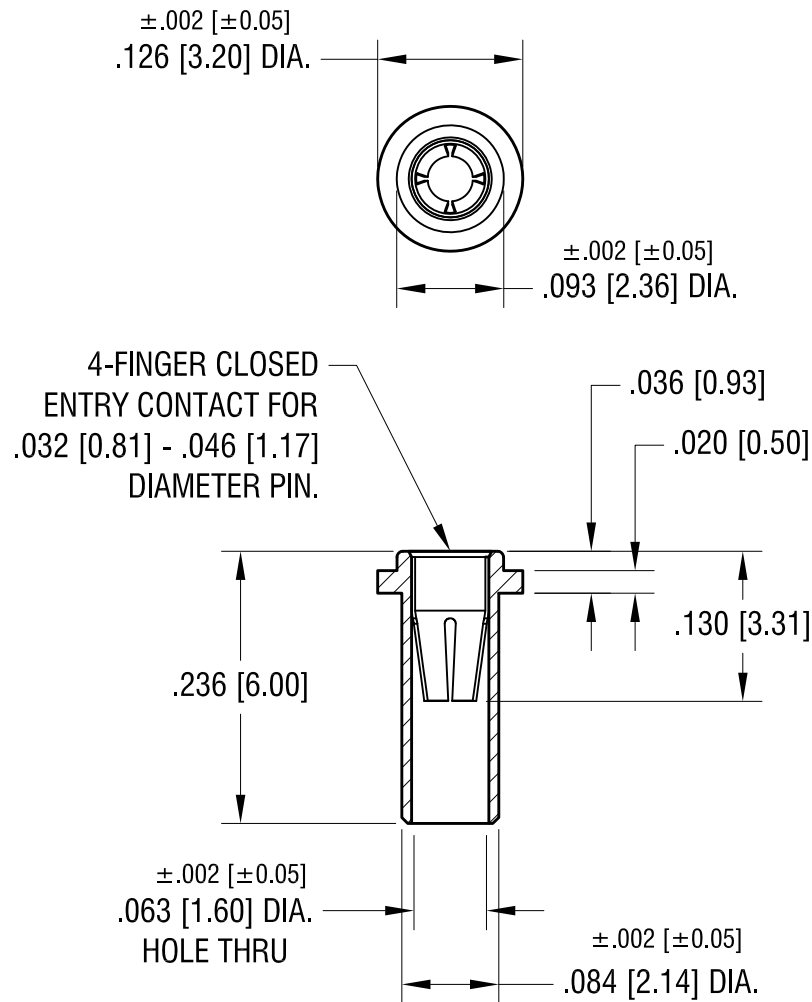


THIS DOCUMENT IS THE PROPERTY OF
KEYSTONE ELECTRONICS CORP. AND
SHALL NOT BE REPRODUCED, DISTRIBUTED
OR USED AS A BASIS FOR MANUFACTURE
WITHOUT PRIOR WRITTEN PERMISSION
FROM KEYSTONE ELECTRONICS CORP.



NOTES:

1. BODY: MAT'L - BRASS
SPRING CONTACT: MAT'L - BERYLLIUM COPPER
2. MOUNTING HOLE DIA.: .089 [2.26]

KEYSTONE ELECTRONICS CORP.			
www.keyelco.com • ASTORIA, N.Y. 11105-2017 • Tel (718) 956-8900			
PART NAME		MICRO JACK, SOLDER MOUNT	
MATERIAL		AS NOTED	
FINISH	DRN BY	DATE	
TIN/LEAD PLATE	BOONE	2.5.07	
	APP'D	SCALE	
	LN	6X	
TOLERANCES	INCH	[MM]	CODE
DECIMAL	$\pm .005$	[± 0.13]	
ANGULAR	$\pm 1^\circ$		
UNLESS OTHERWISE SPECIFIED			
DATE	DESCRIPTION	REV.	1434
2.22.11	CHANGE AS PER ECN 11-019	A	

DATE	DESCRIPTION	REV.
2.22.11	CHANGE AS PER ECN 11-019	A