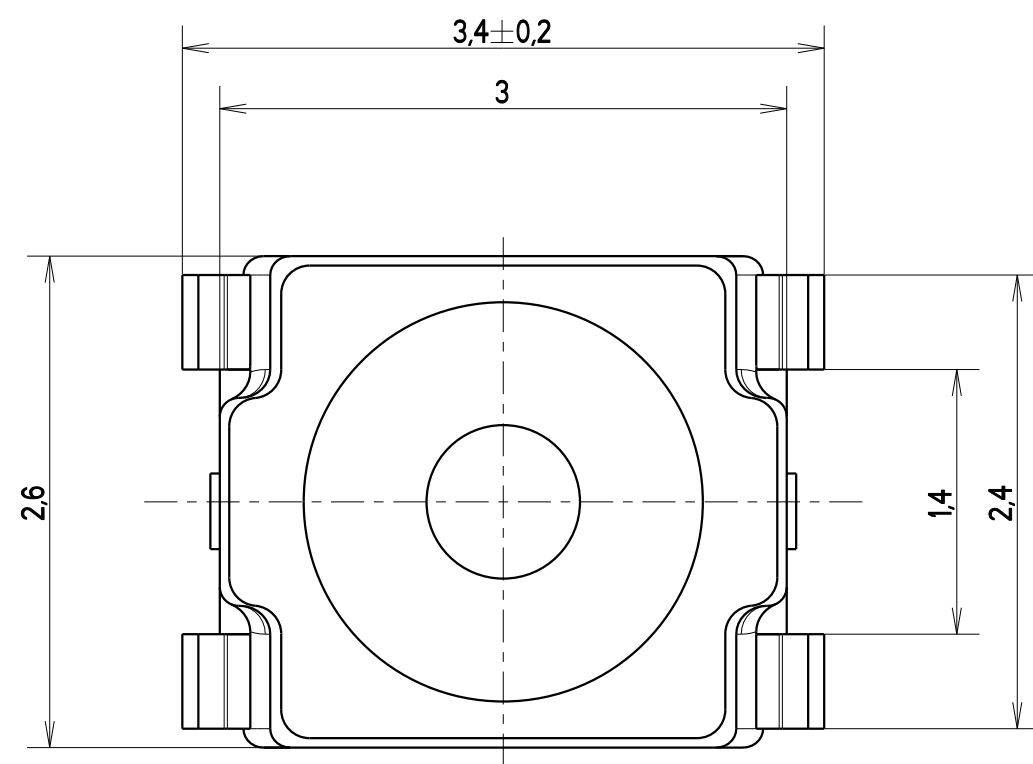
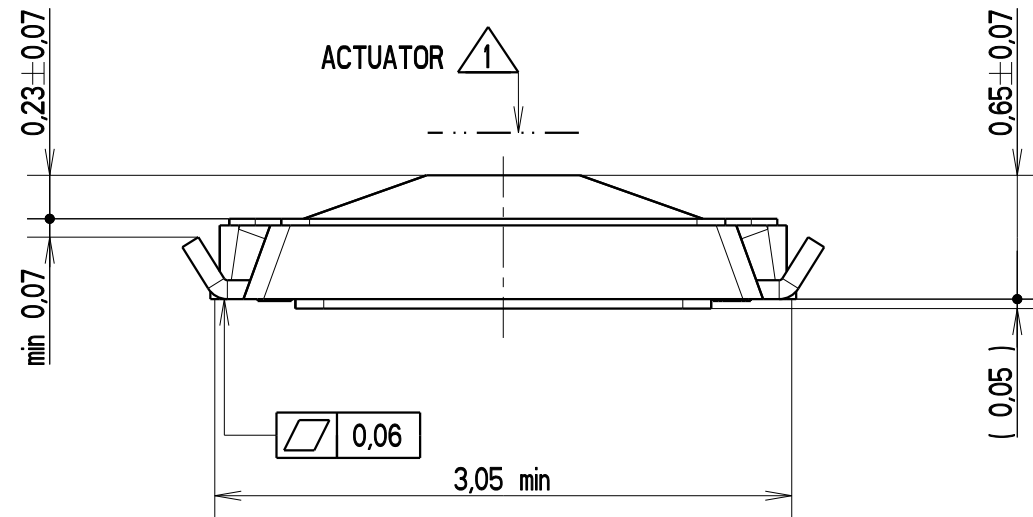
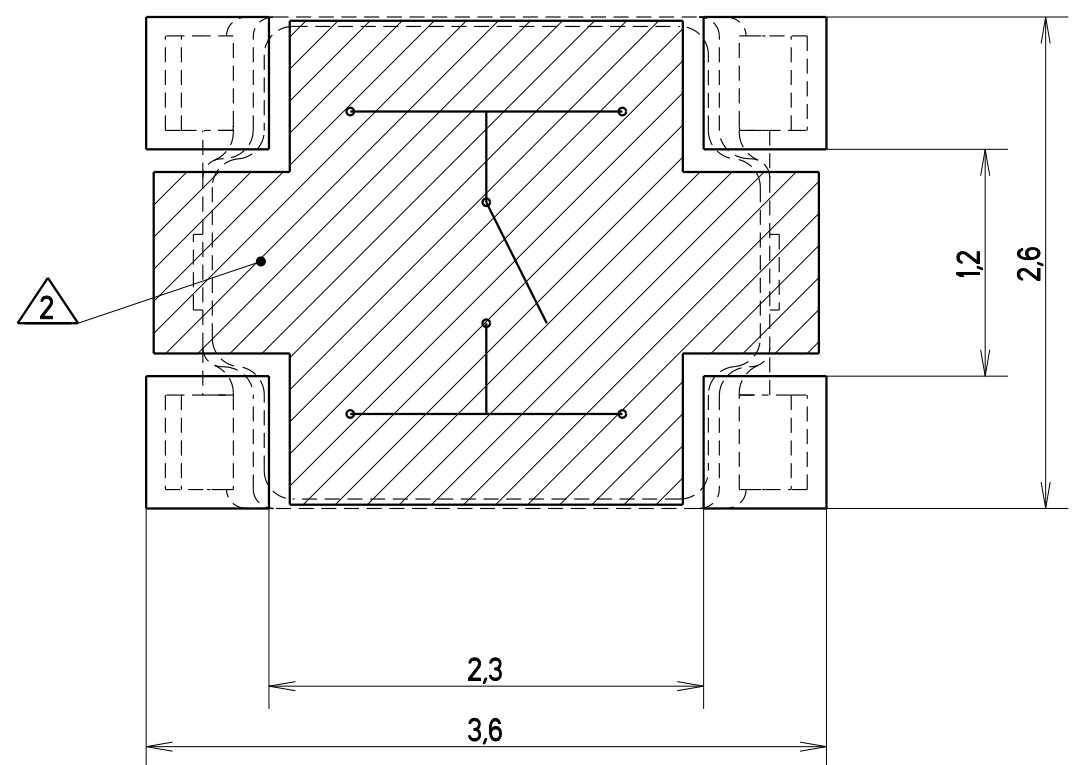


| REV. | N° DCR   | NATURE DE LA MODIFICATION  | DATE       | VISA |
|------|----------|--|------------|------|
| A    | ECR-5893 | Nota 1 "we recommend the usage of key interface as wide as possible" replaced by "actuator $\varnothing 2,8 \pm 0,2$ centering 0,2 mm max and actuator angle max $4^\circ$ ". Removed nota 3 and 4 | 16/12/2010 | L.B  |



| Reference     | Designation    |
|---------------|----------------|
| 34 H03 11B FP | KMT 031 OL LHS |

RECOMMENDED LAYOUT ELECTRICAL DIAGRAMM



- NOTA :   
 1 Actuator  $\varnothing 2,8 \pm 0,2$  mm  
 Centering 0,2 mm max  
 Actuation angle max  $4^\circ$ .  
 2 Prohibited area

SYSTEM CONFIDENTIAL

| MATERIAL / VOLUME   | TREATMENT  | PROTECTION   |
|---|--|--|
| UNLESS OTHERWISE :<br>- DIMENSIONS GIVEN BEFORE PROTECTION<br>- BURRS AND SHARP EDGES DELETED | ANGULAR TOLERANCE $\pm 1^\circ$<br>LINEAR TOLERANCE $\pm 0,1$<br>SURFACE FINISH Ra | CRITICAL DIMENSIONS $\blacktriangledown$ 0<br>SPC DIMENSIONS $\blacktriangledown$ 0                              |
| CREATE BY BOUVIER L DATE 22-10-2010   |  |  |
| CHECKED BY DATE   |  | MODIFICATION see revision table on the first sheet<br>REPLACE  |
| APPROVED BY DATE  |  | FILENAME 34.MH2.006.FP.KLOSTE<br>FOLDER Dossier racine/dole.south.rd/kmt/produit/bande.22mm                      |
| <br>C&K Components<br>BP 359 - 39105 Dole - FRANCE -  |  | PART DESCRIPTION<br><b>KMT 031 OL LHS</b><br>SCALE 25,000<br>SIZE A3 SHEET 1 / 1 PART NUMBER 34 MH2 006 FP REV A |

CE PLAN EST LA PROPRIETE DE CBK COMPONENTS SAS ET NE PEUT ETRE REPRODUIT OU COMMUNIQUE SANS SON AUTORISATION