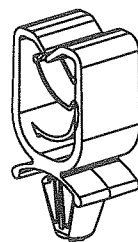
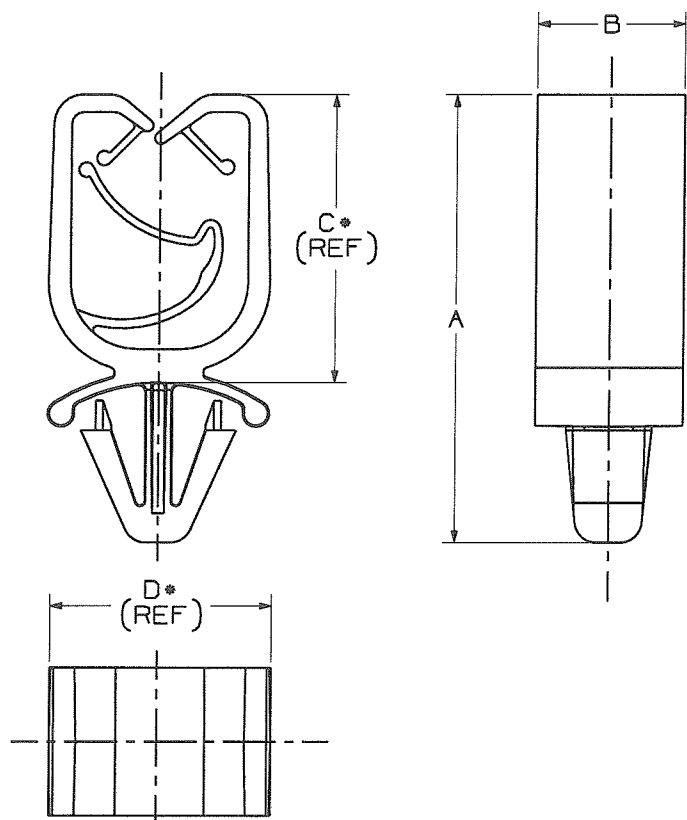


THIS COPY IS PROVIDED ON A RESTRICTED BASIS AND IS NOT TO BE USED IN ANY WAY DETRIMENTAL TO THE INTERESTS OF PANDUIT CORPORATION.

PANDUIT PART NO.	BUNDLE DIA MIN - MAX.	DIMENSIONS						MATERIAL	COLOR	WEIGHT grams 100 pcs
		'A'	'B'	'C' REF	'D' REF					
HCMP06B12-...20	6 - 12	31.6	9.5	19.5	19.0			NYLON 6/6	BLACK	150
HCMP06B12-..130								ACETAL		



SCALE: FULL

NOTES:

1. SEE CURRENT PRICE SHEET FOR PART NUMBER SUFFIX DESIGNATION FOR PACKAGE SIZE, AND COLOR.
2. (*) DIMENSIONAL VARIANCE IS POSSIBLE DUE TO MOLDING PROCESS RELATED SINK MARKS.
3. APPLICATION SPECIFICATION:
HOLE DIAMETER: 6.3 - 7.2 mm
PANEL THICKNESS: 0.6 - 3.0 mm

CAD FILENAME/LAYERS		G01932BE_DC_GB1932BE/04B	
PANDUIT CORP.		TINLEY PARK, ILLINOIS	
HARNESS CLIP WITH PUSH MOUNT ANCHOR			
Unless otherwise specified, all dimensions are metric tolerance; ±0.5mm			

REV	DATE	BY	CHK	DESCRIPTION	ECN	R	CUST	SUP	DRAWN BY	JAD	MAT'L:	SCALE	DRAWING NO.	DWG SIZE
04B	7/15/09	ARHA		REMOVED DIMENSIONS, "REF" NOTE FROM DIM 'A'. CHANGED LABELS, DIM A FROM 31.5 TO 31.6.	GB1932BE	04B	KLN					NONE		
3	4/29/03	JAD		COMPLETELY REVISED, REMOVED GERMAN TEXT	GB1932BE	3				6-6-98	SEE TABLE		GB1932BE	A
									CHK'D	KLN				