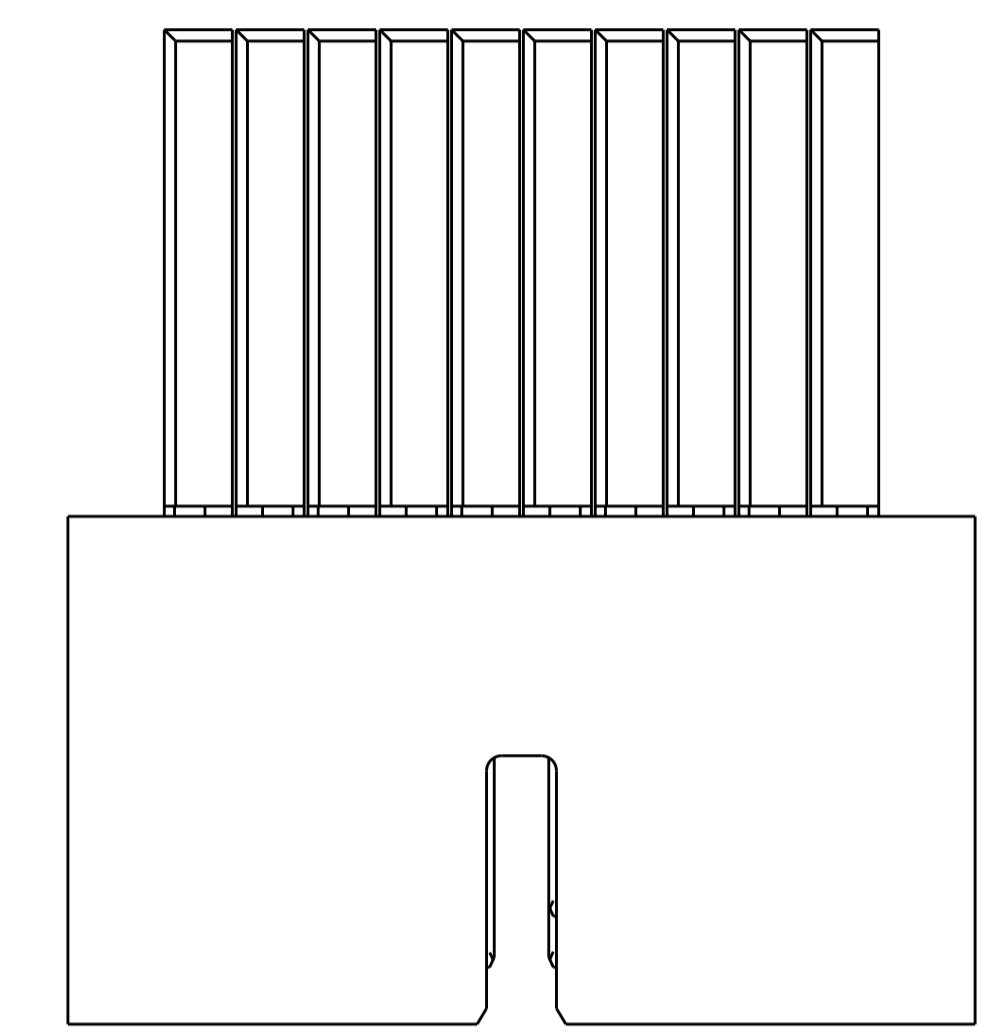
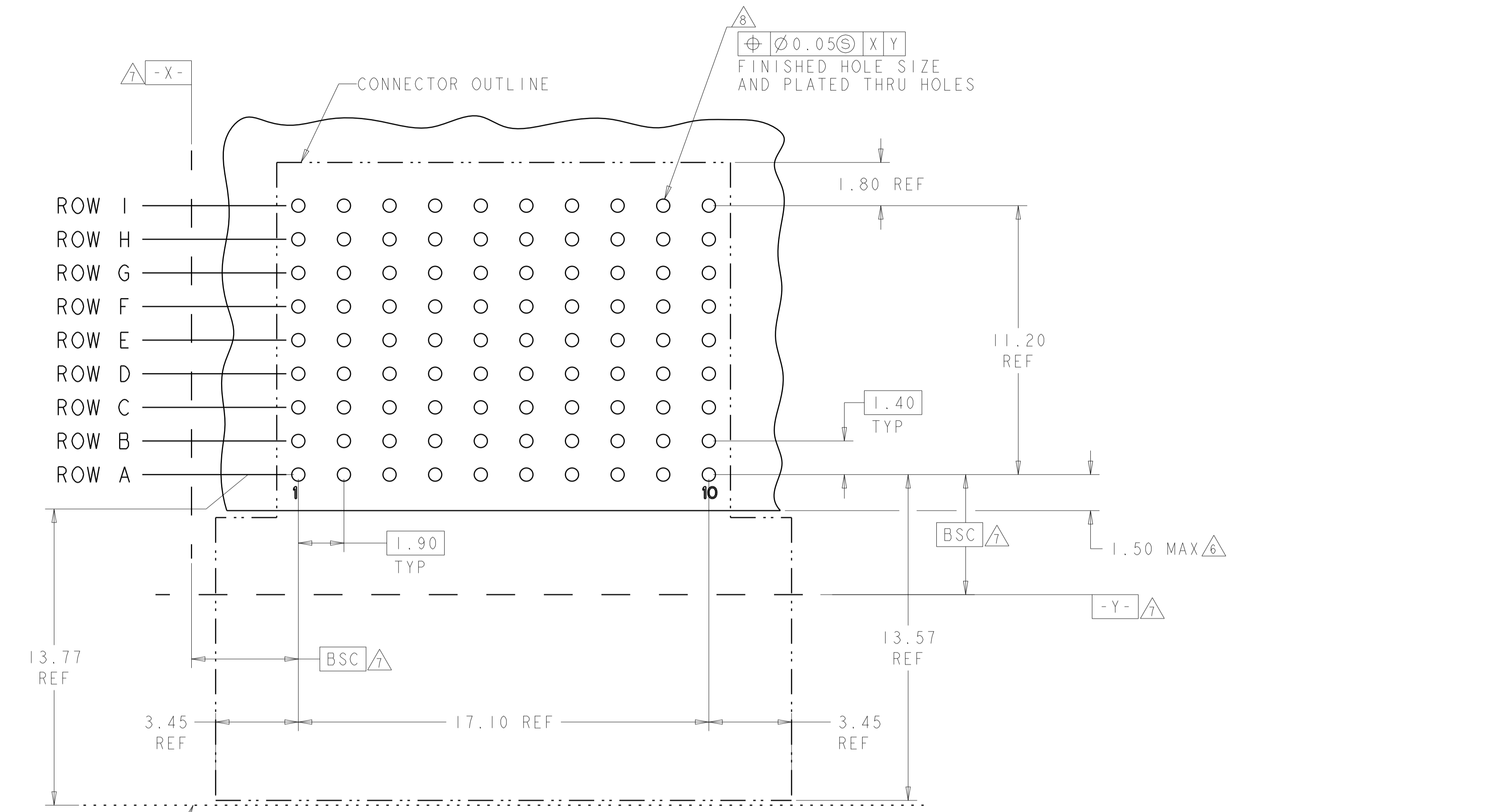
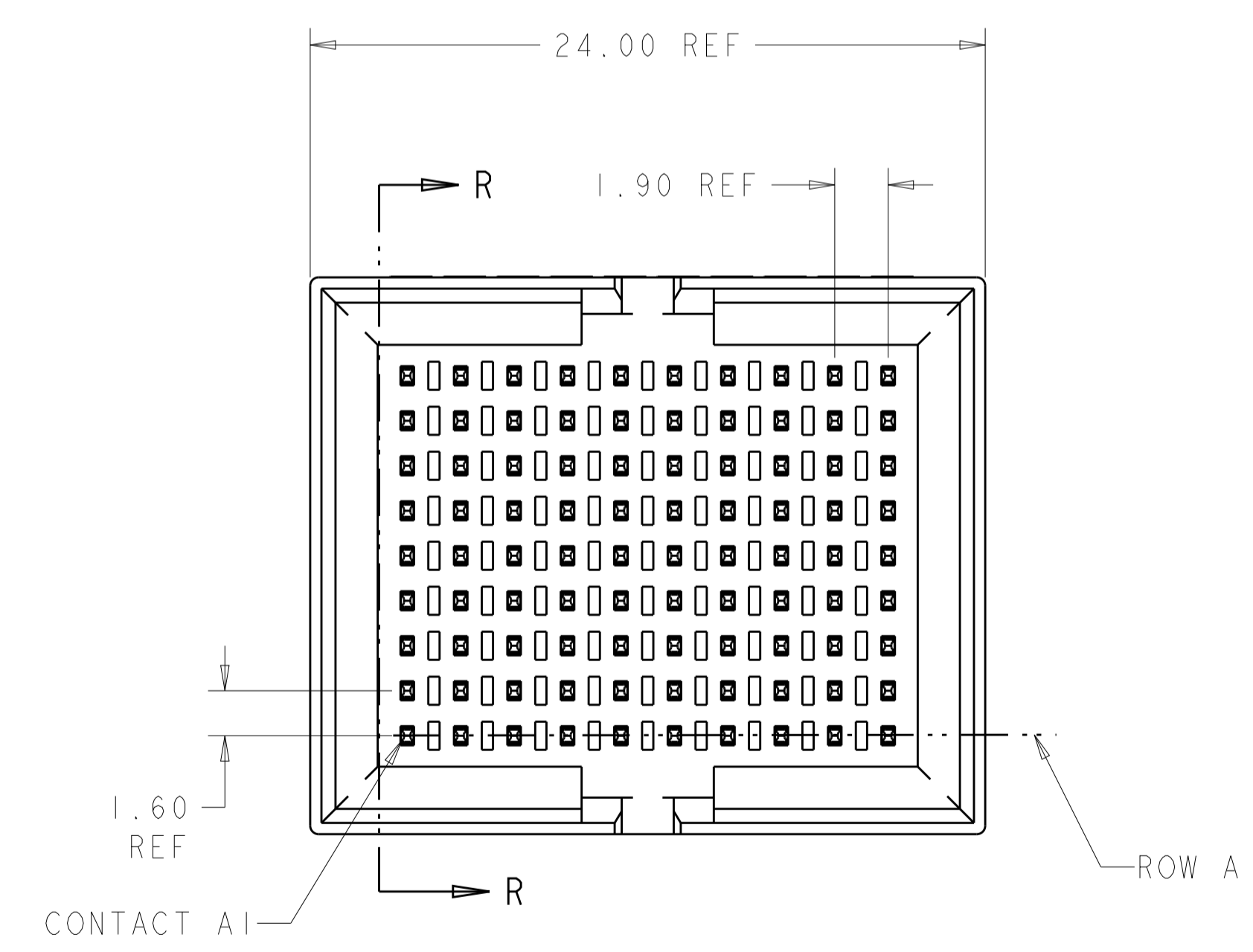
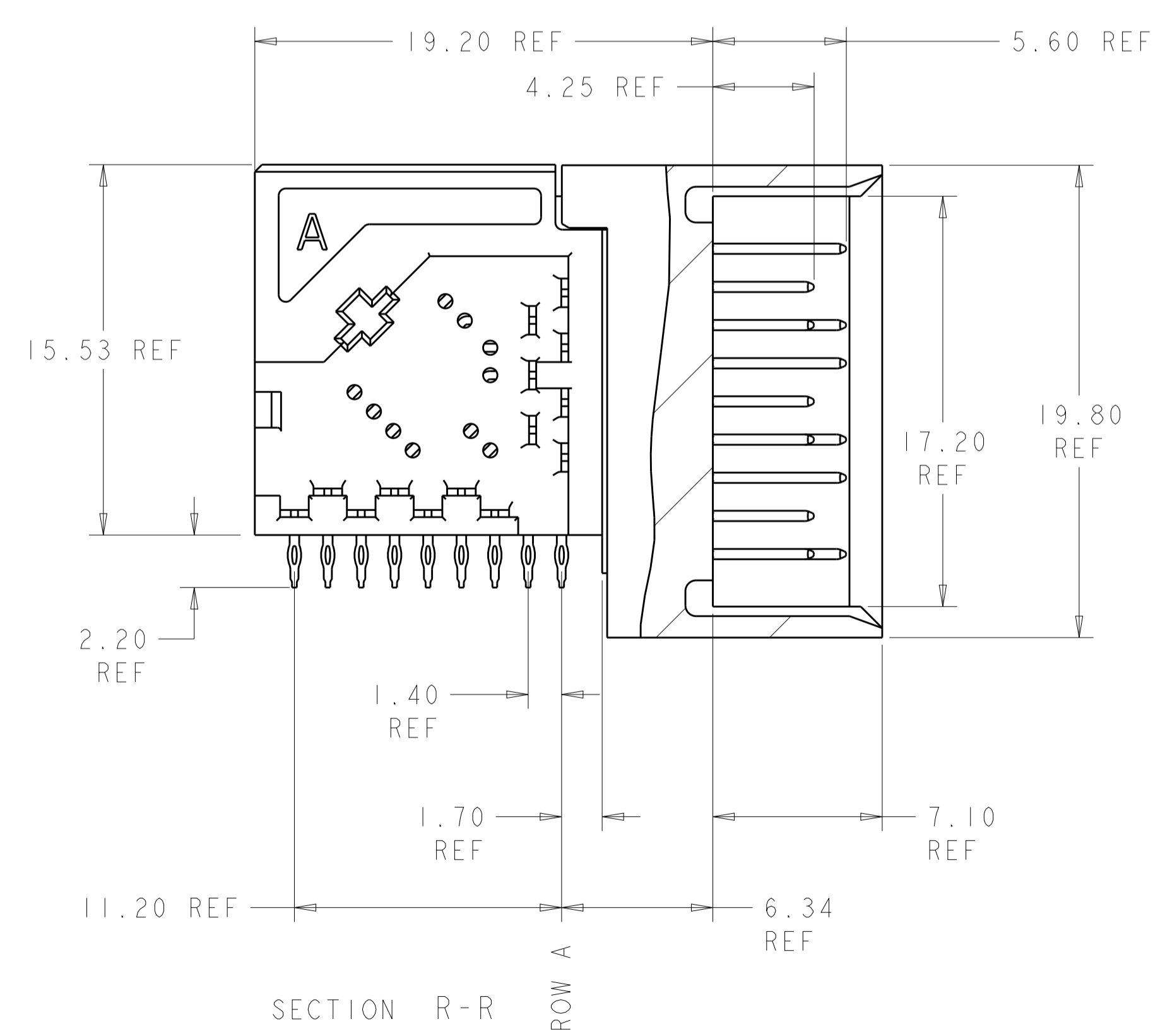


LOC		DIST		REVISIONS			
P	LTN	DESCRIPTION	DATE	DWN	APVD		
B		REV PER ECO 12-010940	7-31-12	CT	DH		



TOP OF MOTHER BOARD
 RECOMMENDED PC BOARD LAYOUT
 COMPONENT SIDE SHOWN
 SCALE 8:1



- 1 MATERIAL:
CONTACT AND SHIELD: COPPER ALLOY
HOUSING AND CHICKLET: LCP, COLOR: BLACK
- 2 FINISH:
CONTACT: MATING AREA: 1.27µm MIN GOLD OVER
1.27µm MIN NICKEL
- 3 FINISH:
COMPLIANT PIN AREA: 0.38µm MIN BRIGHT TIN LEAD OVER
1.27µm MIN NICKEL
- 4 FINISH:
COMPLIANT PIN AREA: 0.38µm MIN MATTE TIN OVER
1.27µm MIN NICKEL
- 5 FINISH:
COMPLIANT PIN AREA: 0.38µm MIN GOLD OVER
1.27µm MIN NICKEL
- 6 DIMENSION APPLIES TO CENTERLINE OF THRU HOLE.
- 7 DATUMS AND BASIC DIMENSIONS ESTABLISHED BY CUSTOMER.
- 8 REFERENCE APPLICATION SPEC 114-13267 FOR RECOMMENDED PLATED THRU HOLE DIAMETER AND PLATING THICKNESS.

2 5	2102318-3
2 4	2102318-2
2 3	2102318-1
FINISH	PART NUMBER

THIS DRAWING IS A CONTROLLED DOCUMENT.

DIMENSIONS:	TOLERANCES UNLESS OTHERWISE SPECIFIED:	DWN: D. BELACK 24JUN2009	CHK: A. TSANG 6-24-2009	APVD: M. McALONIS 6-24-2009
mm	0 PLC ±	NAME: Fortis Zd, 3-PAIR, 10-COLUMN, R/A, FULL SHROUD ASSEMBLY, SINGLE ENDED		
	1 PLC ±.13	PRODUCT SPEC: 108-2409		
	2 PLC ±.05	APPLICATION SPEC: 114-13267		
	3 PLC ±.05	SIZE: CAGE CODE: DRAWING NO: A100779C=2102318		
	4 PLC ±	RESTRICTED TO: -		
	ANGLES ±	WEIGHT: ~12.35g		
MATERIAL:	FINISH:	CUSTOMER DRAWING		

SCALE 5:1 SHEET 1 OF 1 REV B