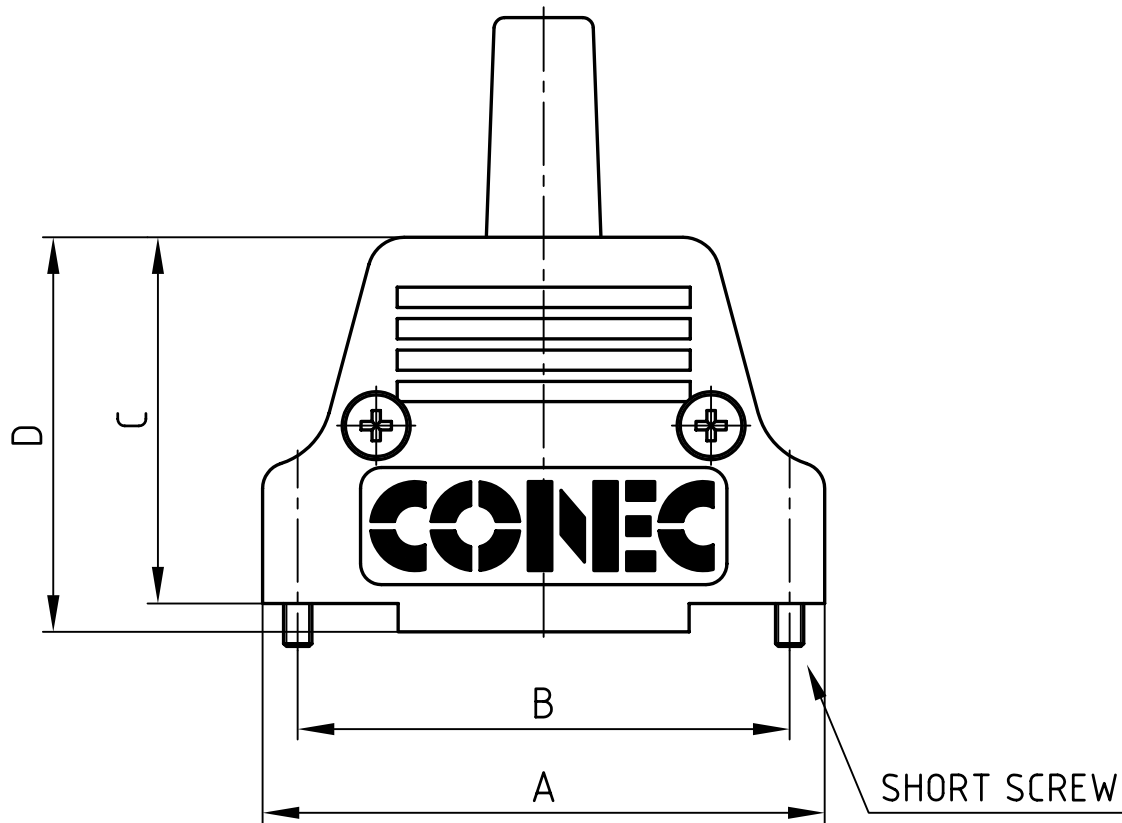
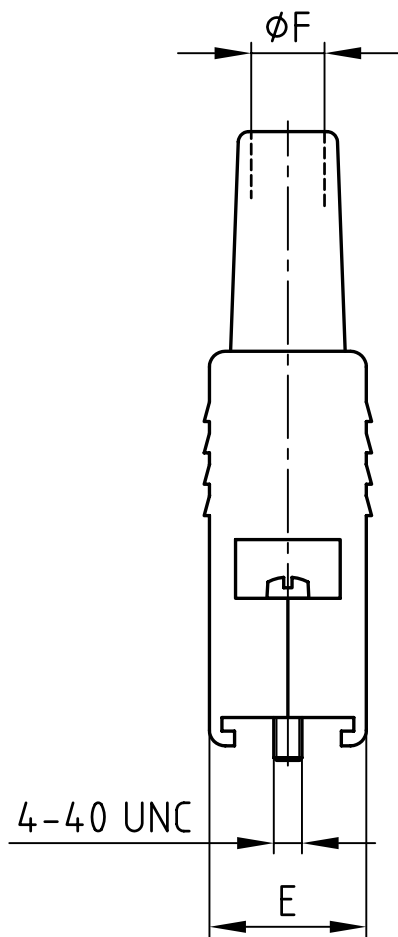
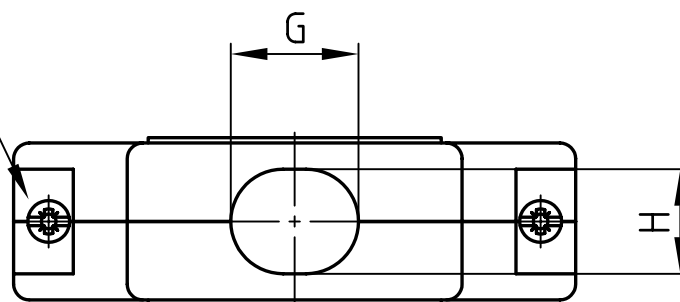


used for: D-SUB



COMBI
CROSS RECESSED SCREW
(Z - SIZE 1)
SLOTTED SCREW
(SLOTT WIDTH 0.8mm)



TOP VIEW
DRAWN WITHOUT
CABLE BUSHING

Directive 2002/95/EC
"RoHS"
Compliant

| Pos. | A | B | C | D | E | ϕF | $G^{+0.2}$ | H | Part NO. Bulk package | Part NO. Single package |
|------|------|------|------|------|------|----------|------------|------|--------------------------|----------------------------|
| 9 | 31.7 | 25.0 | 30.0 | 32.7 | 15.0 | 5.0 | 9.0 | 9.0 | 165X17409X | 165X17409XE |
| 15 | 40.0 | 33.3 | 32.0 | 34.7 | 15.0 | 5.0 | 9.0 | 9.0 | 165X17419X | 165X17419XE |
| 25 | 53.7 | 47.0 | 35.0 | 37.7 | 15.0 | 7.0 | 12.2 | 10.0 | 165X17429X | 165X17429XE |
| 37 | 70.2 | 63.5 | 41.0 | 43.7 | 15.0 | 7.0 | 13.5 | 11.0 | 165X17439X | 165X17439XE |
| 50 | 67.8 | 61.1 | 41.0 | 43.7 | 17.7 | 9.3 | 15.3 | 12.7 | 165X17449X | 165X17449XE |

APPROVAL # FREIGABE # DEBLOCAGE # AUTORIZACION # APPROVAL

CUSTOMER APPROVAL DATE:

NAME: TITLE:

COMPANY NAME:

APPROVAL # FREIGABE # DEBLOCAGE # AUTORIZACION # APPROVAL

NOTES:

1. CASE: ZINC DIECAST; NICKEL PLATED
2. SHORT SCREW: STEEL; NICKEL PLATED
3. CABLE BUSHING: TPE
4. CABLE STRAIN RELIEF: STEEL; NICKEL PLATED
5. ATTENUATION FACTOR >60dB BETWEEN 300 MHz AND 900 MHz

THIS DRAWING MAY NOT BE COPIED OR REPRODUCED IN ANY WAY, AND MAY NOT BE PASSED ON TO A THIRD PARTY WITHOUT WRITTEN PERMISSION.
OWNERSHIP AND COPYRIGHT OF CONEC GmbH
DO NOT ALTER CAD DRAWING BY HAND

| tolerance | | dim. in mm | |
|-----------|-------------|--------------|---------|
| 2005 | date | name | |
| drawn | 07.02. | Lehmenkühler | |
| appd. | 07.02. | Kühle | |
| norm | | | |
| 1 x c | Ä 3466 | 20.10.2009 | Lehmen. |
| 1 x b | Ä 2180 | 09.03.2005 | Lehmen. |
| a | Origin | | |
| rev. | description | date | name |

CONEC[®]

| | | |
|-----------|-----------------------------------------------------------------------------------------|---------|
| scale: | 1:1 | |
| material: | SEE NOTES | |
| title: | METAL HOOD 9-50pos. EMI / RFI SHIELDING with straight cable exit and short screws | |
| dwg no: | AutoCAD 2004 | DIN-A |
| | 16K1A1321 | 4 |
| part no: | SEE TABLE | |
| | | sh: 1/1 |

4

3

2

1