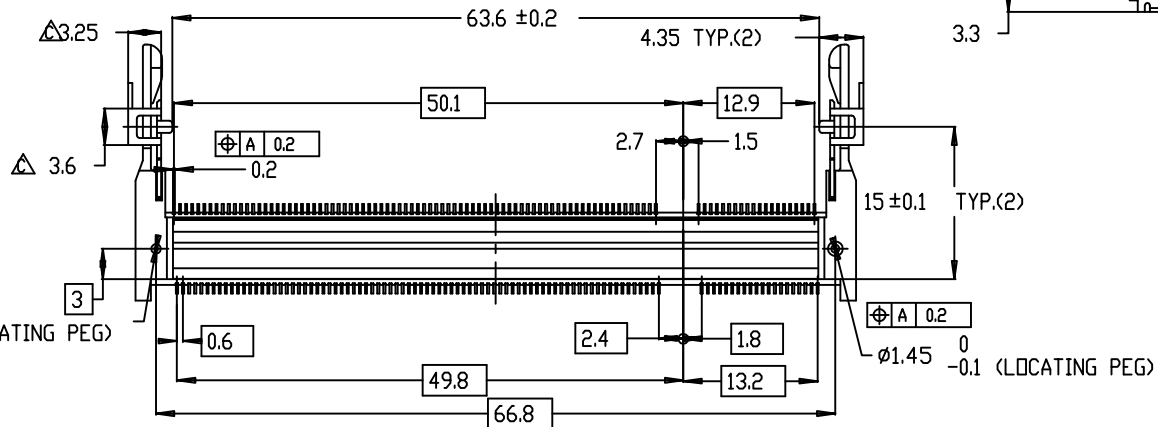
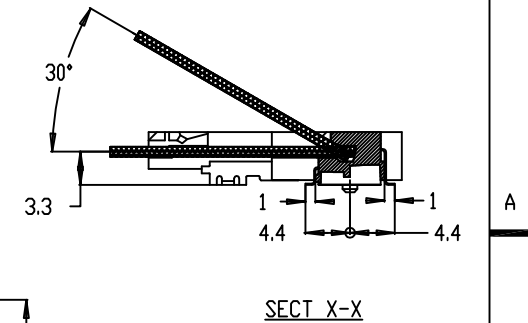
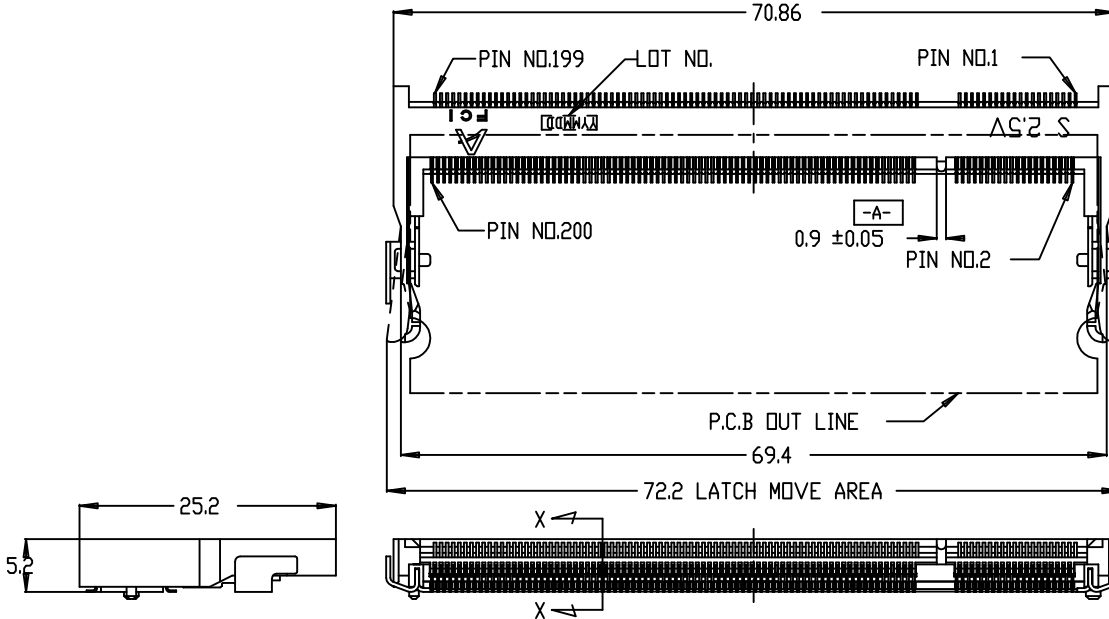


PRODUCT NO.

SEE SHEET 4



NOTE

- 1. PRODUCT SPEC. : GS-12-195
- 2. PACKAGING SPEC. : GS-14-786
- 3. MATERIAL
 - 1) HOUSING : LCP, UL94V-0, COLOR BLACK
 - 2) CONTACT : PHOSPHOR BRONZE
 - 3) HOLD DOWN : BRASS
- 4. FINISH
 - 1) TERMINAL : SEE TABLE
 - 2) HOLD DOWN : SEE TABLE
- 5. CO-PLANARITY : 0.1 MAX.(INCLUDE HOLD DOWN)
- 6. THIS PRODUCT MEETS EUROPEAN UNION DIRECTIVES AND OTHER COUNTRY REGULATIONS AS DESCRIBED IN GS-22-008.
- 7. THE HOUSING WILL WITHSTAND EXPOSURE TO 260° PEAK TEMPERATURE FOR 10 SECONDS IN A REFLOW SOLDER APPLICATION.

mat'l code				tolerances unless otherwise specified			CUSTOMER COPY	 www.fciconnect.com				
ltr	ecn no	dr	date	linear	.X ± 0.38/.015	projection			title			
A	DG06-0183	C S	05-12-06		.XX ± 0.25/.010						title	
B	DG06-0535	C S	12/14/06		.XXX ± 0.15/.005							title
C	DG08-0333	B L	12/01/08	angles	0° ± 2°		title					
				dr	CHARLIE S			05/12/06'		product family	DDR	code
				engr	CHARLIE S	05/12/06'	size	dwg no		sheet		
				chr	BEER FU	05/12/06'	scale	1:1		A4	10069102	1 of 4
				appd	JOSEPH HSIA	05/12/06'						
sheet index	revision sheet	C	C	C	C							
		1	2	3	4							

Tous droits strictement reserves. Reproduction ou communication a des tiers interdite sous quelque forme que ce soit sans autorisation écrite du Propriete de c FCI. Droits de reproduction FCI.

All rights strictly reserved. Reproduction or issue to third parties in any form whatever is not permitted without written authority from the proprietor. Property of FCI. Copyright FCI.

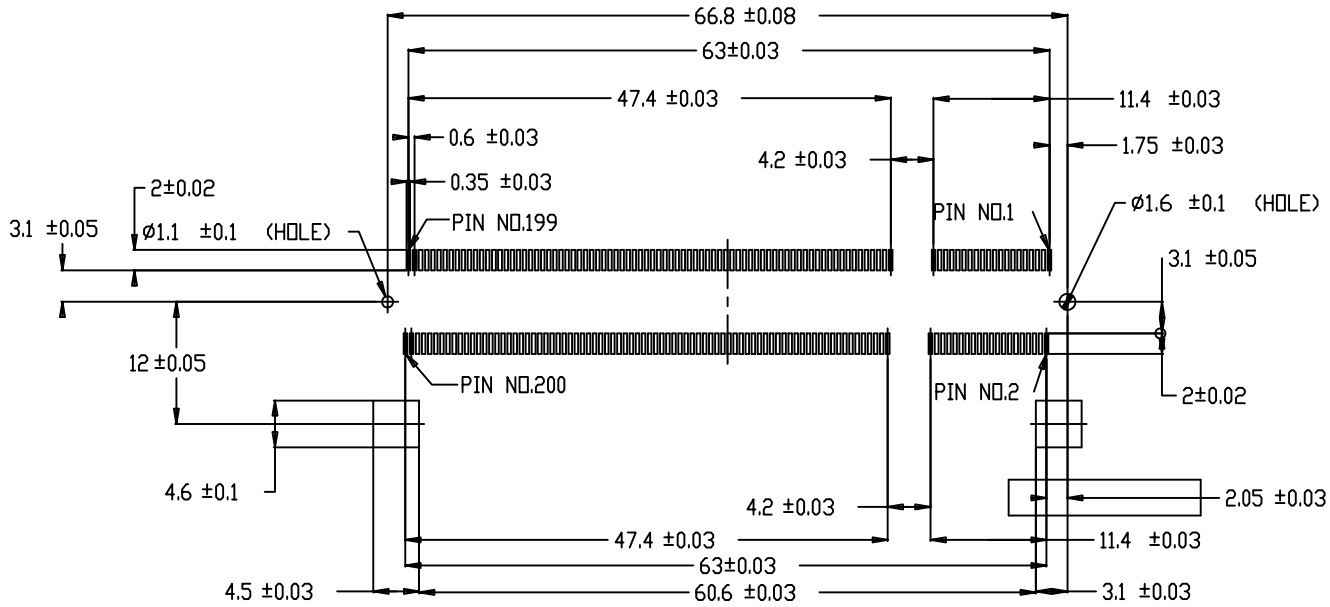
PRODUCT NO.

10069102-*****

Tous droits strictement reserves. Reproduction ou communication a des tiers interdite sous quelque forme que ce soit sans autorisation écrite du Propriete de c FCI. Droits de reproduction FCI.



All rights strictly reserved. Reproduction or issue to third parties in any form whatever is not permitted without written authority from the proprietor. Property of FCI. Copyright FCI.

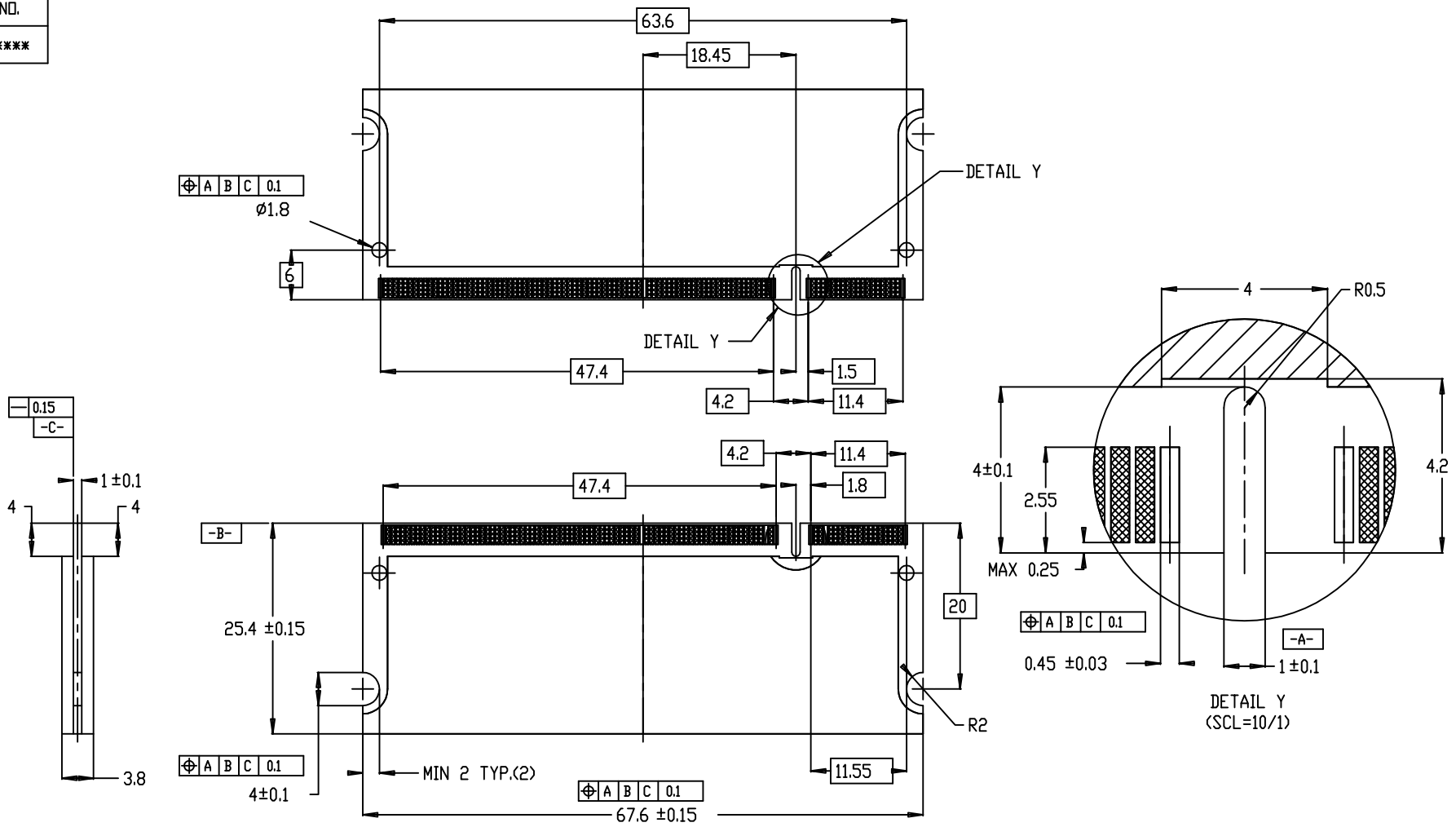


RECOMMENDED MOUNTING P.C.B LAYOUT

mat'l code		tolerances unless otherwise specified		CUSTOMER COPY		 www.fciconnect.com		
ltr	ecn no	dr	date	linear	.X ± 0.38/.015	projection	 title DDR SD-DIMM 0.6mm PITCH 200P STANDARD TYPE ASSY	
C					.XX ± 0.25/.010			
					.XXX ± 0.15/.005			
				angles	0° ±2°	 MM	product family	
				dr	CHARLIE S		05/12/06'	DDR
				enr	CHARLIE S		05/12/06'	code
				chr	BEER FU		05/12/06'	DG
				appd	JOESPH HSIA	05/12/06'	scale	
							1:1	
sheet index	revision sheet						A4	
							10069102	
							code	
							22526	
							2 of 4	



PRODUCT NO.
10069102-*****



RECOMMENDED MODULE P.C.B. LAYOUT

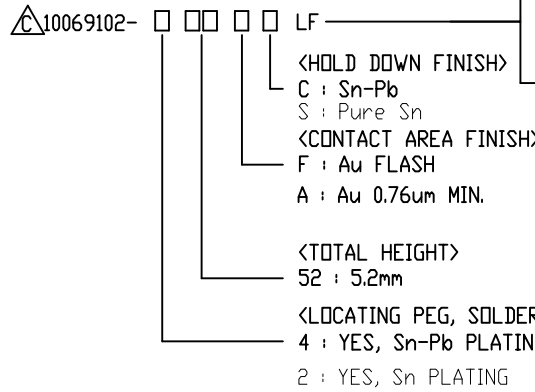
mat'l code				tolerances unless otherwise specified				CUSTOMER COPY		www.fciconnect.com	
ltr	ecn no	dr	date	linear	.X ± 0.38/.015		projection	title DDR SO-DIMM 0.6mm PITCH 200P STANDARD TYPE ASS'Y			
C					.XX ± 0.25/.010						
					.XXX ± 0.15/.005						
				angles	0° ± 2°			product family DDR code DG size dwg no 10069102 sheet 3 of 4			
				dr	CHARLIE S	05/12/06'					
				engr	CHARLIE S	05/12/06'	scale 1:1	cage code 22526			
				chr	BEER FU	05/12/06'					
				appd	JOESPH HSIA	05/12/06'					
sheet index	revision sheet										

Tous droits strictement réservés. Reproduction ou communication a des tiers interdite sous quelque forme que ce soit sans autorisation écrite du Propriétaire de c FCI. Droits de reproduction FCI.



All rights strictly reserved. Reproduction or issue to third parties in any form whatever is not permitted without written authority from the proprietor. Property of FCI. Copyright FCI.

PRODUCT NO.	LOCATING PEG	TERMINAL CONTACT AREA FINISH	HOLD DOWN FINISH	SOLDER TAIL FINISH
10069102-452FC	YES	Au FLASH	Sn-Pb PLATING	Sn-Pb PLATING
10069102-452AC	YES	Au 0.76um MIN.	Sn-Pb PLATING	Sn-Pb PLATING
10069102-252FSLF	YES	Au FLASH	Sn PLATING	Sn PLATING
10069102-252ASLF	YES	Au 0.76um MIN.	Sn PLATING	Sn PLATING



For Rohs OPTIONS:
 TAIL PLATING CODE MUST BE 0~3.
 HOLD DOWN PLATING CODE MUST BE 'S'.
 'LF' CODE IS EXIST IN THE END.
 EX: 10069102-252FSLF

FOR NOT Rohs COMPATIBLE:
 THIS 'LF' CODE IS 'BLANK'.
 EX:10069102-452FC

mat'l. code				tolerances unless otherwise specified		CUSTOMER COPY		 www.fcconnect.com			
ltr	ecn no	dr	date	linear	.X ± 0.38/.015		projection	 title DDR SD-DIMM 0.6mm PITCH 200P STANDARD TYPE ASS'Y			
C					.XX ± 0.25/.010						
					.XXX ± 0.15/.005						
				angles	0° ±2°		 MM	product family DDR size dwg no A4 10069102			
				dr	CHARLIE S	05/12/06'				code	DG
				engr	CHARLIE S	05/12/06'				sheet	4 of 4
				chr	BEER FU	05/12/06'	scale 1:1		A4 10069102		
				appd	JOESPH HSIA	05/12/06'					
sheet index	revision sheet										