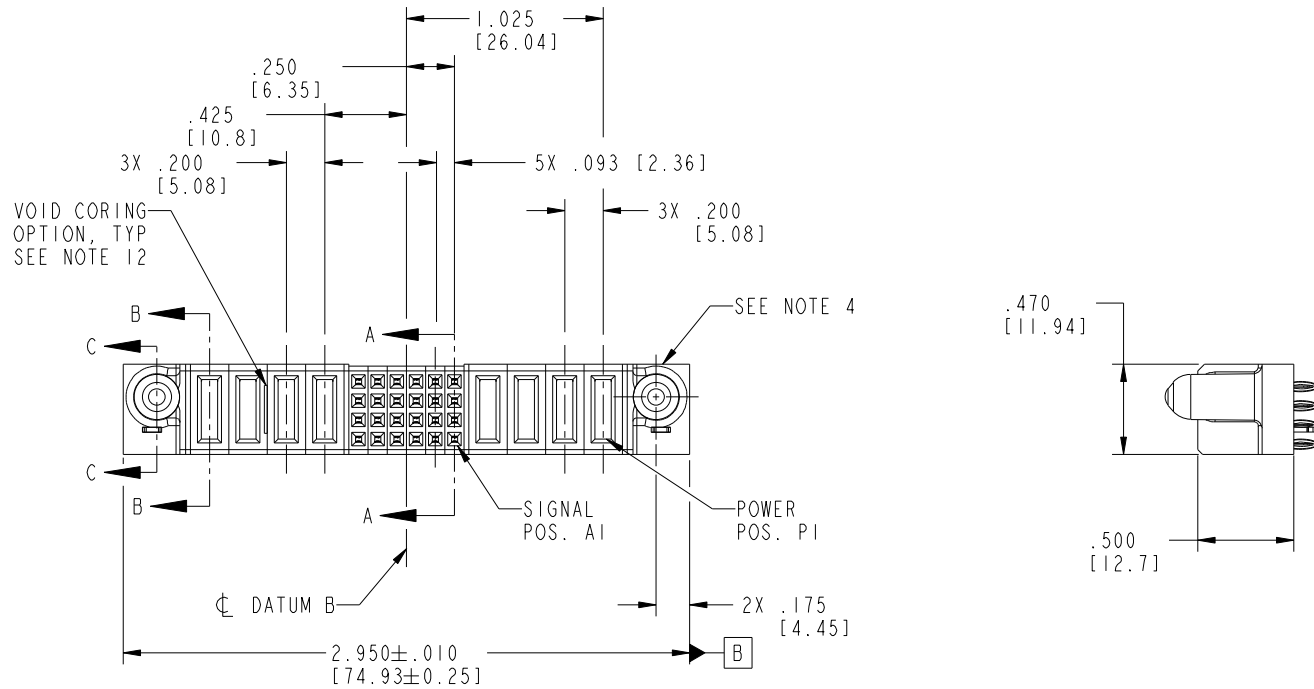


Tous droits strictement réservés. Reproduction ou communication a des tiers interdite sous quelque forme que ce soit sans autorisation écrite du propriétaire. Propriété de c FCI. Droits de reproduction FCI.



All rights strictly reserved. Reproduction or issue to third parties in any form whatever is not permitted without written authority from the proprietor. Property of FCI. Copyright FCI.

PRODUCT NO.	ROWS	POWER				SIGNAL					POWER				E1						
		E2	P8	P7	P6	P5	6	5	4	3	2	1	P4	P3		P2	P1				
51940-130-- NOTE: 3	D C B A		PC	PC	PC	PC	F	F	F	F	F	F	F	F	F	F	PC	PC	PC	PC	



CODE	DIM "M" MATING LENGTH	CONTACT TYPE
PC	[1.07]	POWER
F	[N/A]	SIGNAL
HA	[N/A]	HOLD-DOWN

mat'l code				SEE NOTE 2		tolerances unless otherwise specified		CUSTOMER		 www.fciconnect.com	
lir	ecn no.	dr	date	linear	.XX±.01/0.X±0.3	projection		COPY		title	
A	DG05-0042	SLUO	3/12/05	angles	.XXX±.005/0.XX±0.13			4P + 24S + 4P		VERTICAL PF RECEPT	
B	DG08-0247	W D	09/08/08	dr	.XXX±.0020/0.XXX±0.051	INCH/MM		product family		code	
				enr	0°±2°	scale		PwrBlade		213	
				chr		1:1		size		sheet	
				appd				A		1 of 4	
sheet index		revision sheet		B	B	B	B	A		51940-130	
		1	2								
				3	4						

Pro/E

PDM: Rev:B

STAT: Released

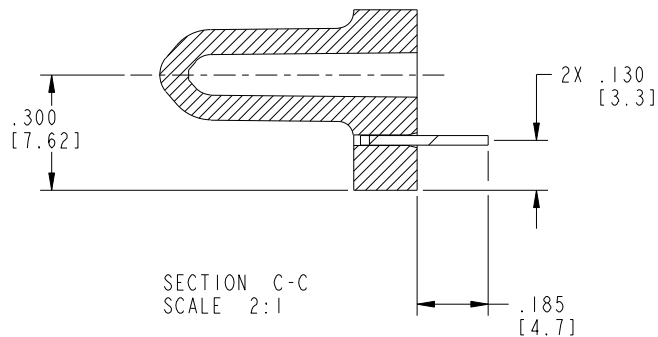
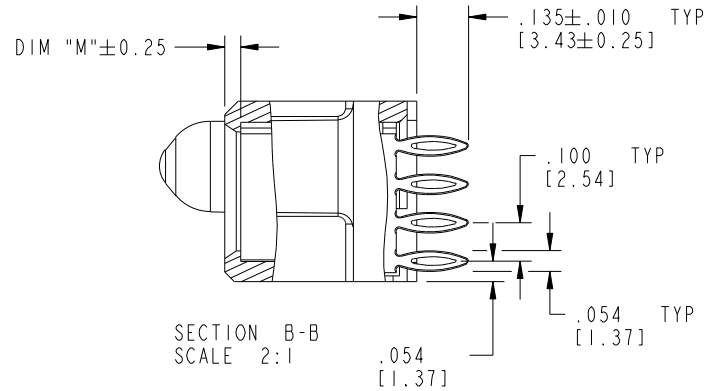
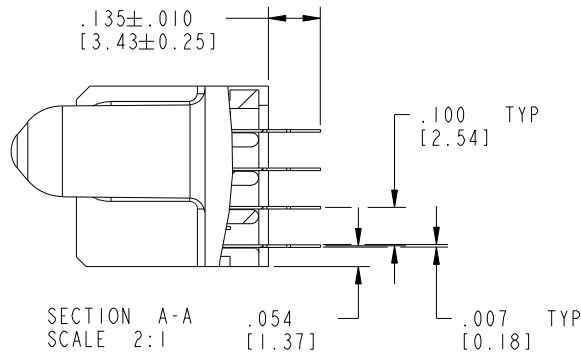
Printed: Dec 20, 2010

Tous droits strictement réservés. Reproduction ou communication a des tiers interdite sous quelque forme que ce soit sans autorisation écrite du propriétaire. Propriété de c FCI. Droits de reproduction FCI.

All rights strictly reserved. Reproduction or issue to third parties in any form whatever is not permitted without written authority from the proprietor. Property of FCI. Copyright FCI.



PRODUCT NUMBER  
51940-130\_\_



mat'l code		SEE NOTE 2		tolerances unless otherwise specified		CUSTOMER		FCI	
lfr	ecn no.	dr	date	linear	.XX±.01/0.X±0.3	projection	www.fciconnect.com		
B				linear	.XX±.005/0.XX±0.13	INCH/MM	title 4P + 24S + 4P		
				angles	.XXX±.0020/0.XXX±0.051	scale	VERTICAL PF RECEPT		
				dr	SLUO 3/12/05	1:1	product family PwrBlade		code
				enr	SLUO 3/12/05		size	dwg no	213
				chr	VICTOR LIN 3/12/05		A 51940-130		sheet
				appd	Joseph Hsia 3/12/05				2 of 4
sheet index	revision sheet								

Pro/E

PDM: Rev: B

STATUS: Released

Printed: Dec 20, 2010

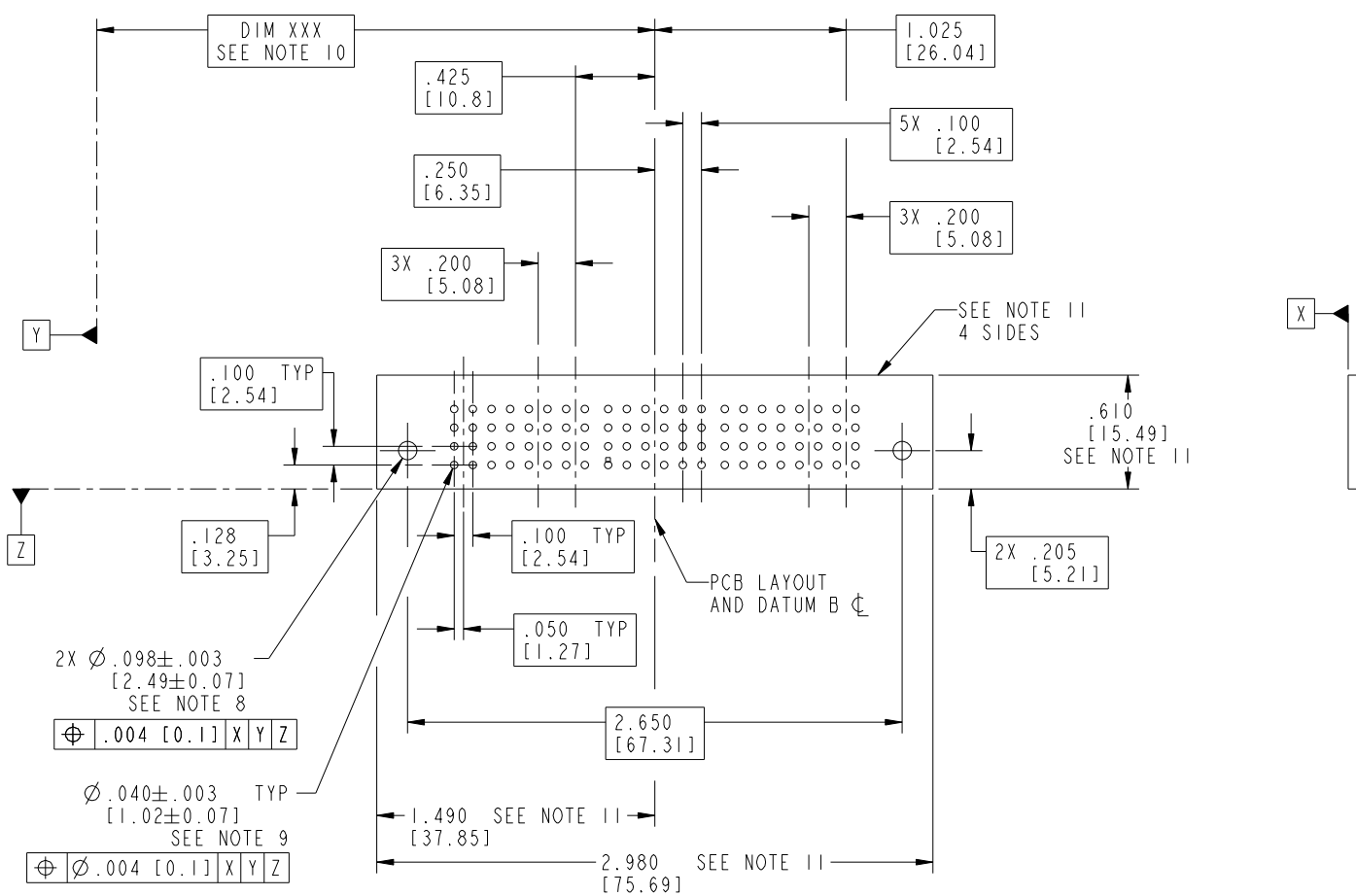
cage code 22556

Tous droits strictement réservés. Reproduction ou communication a des tiers interdite sous quelque forme que ce soit sans autorisation écrite du propriétaire. Propriété de c FCI. Droits de reproduction FCI.

All rights strictly reserved. Reproduction or issue to third parties in any form whatever is not permitted without written authority from the proprietor. Property of FCI. Copyright FCI.



PRODUCT NUMBER  
51940-130\_\_



RECOMMENDED PCB LAYOUT

mat'l code		SEE NOTE 2		tolerances unless otherwise specified		CUSTOMER		 www.fciconnect.com	
lir	ecn no.	dr	date	linear	.XX±.01/0.X±0.3	COPY		title	
B				projection	.XXX±.005/0.XX±0.13			4P + 24S + 4P VERTICAL PF RECEPT	
				angles	.XXX±.0020/0.XXX±0.051	INCH/MM		product family	
				dr	SLUO 3/12/05	scale		PwrBlade	
				enr	SLUO 3/12/05	1:1		code	
				chr	VICTOR LIN 3/12/05			213	
				appd	Joseph Hsia 3/12/05			sheet	
sheet index		revision sheet						A 51940-130	
								3 of 4	

Pro/E

PDM: Rev: B

STATUS: Released

Printed: Dec 20, 2010

code code 22526

PRODUCT NUMBER
51940-130__

NOTES:

1. DIMENSIONS AND TOLERANCES ARE IN ACCORDANCE WITH ASME Y14.5M, 1994 UNLESS OTHERWISE SPECIFIED.

CONNECTOR NOTES:

② HOUSING MATERIAL: UL 94 V-0 GLASS FILLED HIGH-TEMP THERMOPLASTIC  
 POWER CONTACT MATERIAL: COPPER ALLOY  
 SIGNAL PIN MATERIAL: COPPER ALLOY

ⓑ 3. PLATING SPEC.  
 51940-130, 51940-130LF PLATING SPEC. WAS SHOWN IN THE PRINT OF 10064183.

④ MANUFACTURER'S NAME, P/N, AND DATE CODE TO APPEAR ON THIS SURFACE.

5. PRODUCT SPECIFICATION GS-12-149.  
 APPLICATION SPECIFICATION BUS-20-067.

6. PACKAGED IN TRAYS.

PCB NOTES:

7. ALL HOLE DIAMETERS ARE FINISHED HOLE SIZE.

⑧ MOUNTING HOLES, WHERE APPLICABLE, ARE UNPLATED.

⑨  $\varnothing 1.151 \pm 0.025$  DRILLED HOLES PLATED WITH  
 0.008 MIN SnPb OR Sn OVER 0.03  
 TO 0.08 Cu PLATING TO ACHIEVE  
 $\varnothing 1.02 \pm 0.07$  HOLE.

⑩ "DIM XXX" TO BE DETERMINED BY THE CUSTOMER.

⑪ CONNECTOR KEEP-OUT ZONE.

12. THE VOID CORING IN BETWEEN POWER MODULES, SIGNAL MODULES AND END MODULES ARE OPTIONAL AND THE SHAPE MAY BE DIFFERENT FOR OPTIMIZE THE MOLDING PROCESS. THE VOID CORING WILL NOT EFFECT TO PRODUCT FUNCTION.

13. A ⓑ SYMBOL WILL BE NEXT TO ANY DIMENSION, VIEW, OR NOTE WHICH HAS BEEN MODIFIED WITH THE CURRENT DRAWING REVISION.

mat'l code				SEE NOTE 2		tolerances unless otherwise specified		CUSTOMER		FCJ	
lfr	ecn no.	dr	date	linear	.XX±.01/0.X±0.3	projection		COPY		www.fciconnect.com	
B					.XXX±.005/0.XX±0.13	INCH/MM		title		4P + 24S + 4P	
				angles	.XXX±.0020/0.XXX±0.051	scale		product family		code	
				dr	0° ± 2°	1:1		PwrBlade		213	
				enrg	SLU0 3/12/05			size		sheet	
				chr	SLU0 3/12/05			A		4 of 4	
				appd	VICTOR LIN 3/12/05			51940-130			
					Joseph Hsia 3/12/05						
sheet index	revision sheet										

Tous droits strictement réservés. Reproduction ou communication a des tiers interdite sous quelque forme que ce soit sans autorisation écrite du propriétaire. Propriete de c FCI. Droits de reproduction FCI.



All rights strictly reserved. Reproduction or issue to third parties in any form whatever is not permitted without written authority from the proprietor. Property of FCI. Copyright FCI.