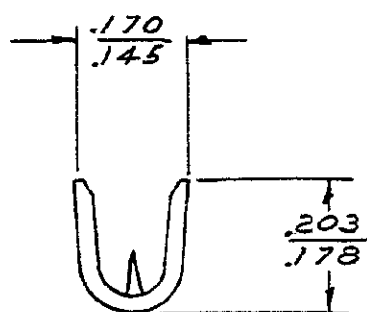
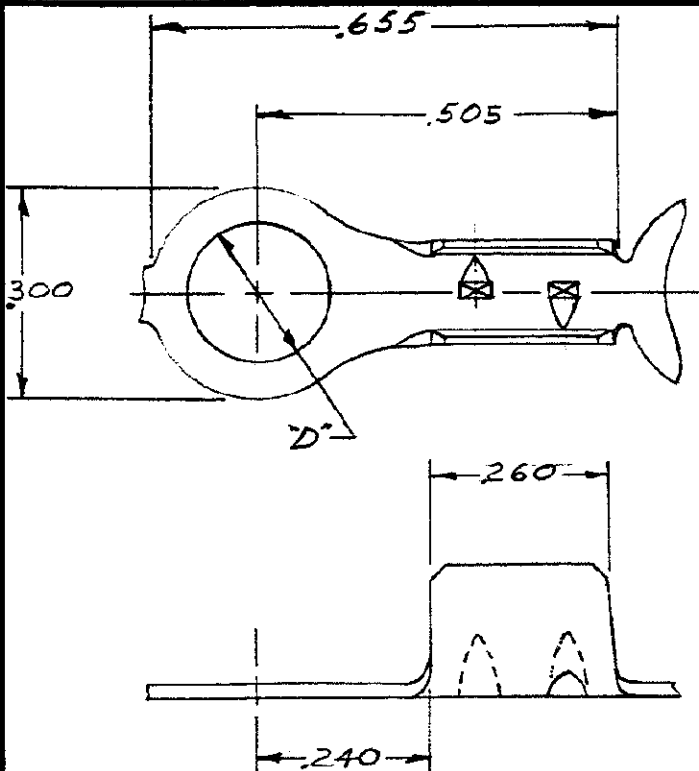


DRAWING MADE IN AMERICAN PROJECTION

NUMBER
42023



CONTINUOUS STRIP ON REELS

WIRE SIZE A.W.G.	INSULATION RANGE	STUD #	"D" ±.003	MATERIAL - FINISH	TERMINAL NUMBER
20-16	105-120	6	.145	.020 BRASS - NONE	42023-0
		8	.171	.020 BRASS - NONE	-1 OBSOLETE
		10	.197	.020 BRASS - NONE	-2 OBSOLETE
		10	.197	.020 STAINLESS STEEL - NONE	-3 OBSOLETE
		6	.145	.020 STEEL - TIN	-7 OBSOLETE
		8	.171	.020 STEEL - TIN	-8 OBSOLETE
		10	.197	.020 STEEL - TIN	-9 OBSOLETE

DIMENSIONS IN INCHES. DO NOT SCALE PRINT.

©1968 BY AMP INCORPORATED, ALL RIGHTS RESERVED. AMP PRODUCTS COVERED BY PATENTS AND/OR PATENTS PENDING.

CUSTOMER COPY REFERENCE ONLY

F	OBS -1 PER AF-3870	TMS	ST	5-19-68
E	OBS-2 PER AF-3871	MSF	64	12287
D	OBSOLETE - 7	9-5594	64	3/24/68
C	OBSOLETE 42023-5-9	A 3879	WD	6/24/68
B	REVISED REDRAWN	A 47	WD	9/1/68
ATR	REVISION RECORD	ECN	DR/CHK	DATE
DR	V.E. NEFF	DE	RF	4-1-68
CHK	V.E. NEFF	APP	RF	4-1-68

MATERIAL AND FINISH	
X	
WIRE - RANGE - INSULATION	TYPE
TOLERANCE EXCEPT AS NOTED ± .015	SCALE 1" = 1' 0"
NAME	

AMP		AMP INCORPORATED HARRISBURG, PENNA.	
CLASS	— 4 —		
WIRE - RANGE - INSULATION	TYPE — 4 —		
LOC	NO	REV	
A	A 42023	F	
RING INS. PIERC.			