

NOTES:

1. MATERIALS AND FINISHES:

BODY & HEX NUT - BRASS, NICKEL PLATING
 CONTACT - BeCu, SILVER PLATING
 INSULATOR - PTFE, NATURAL
 LOCK WASHER - PHOSPHOR BRONZE, NICKEL PLATING
 GLASS BEAD ASSEMBLY - TIN PLATING

2. ELECTRICAL:

A. IMPEDANCE: NON-CONSTANT
 B. DIELECTRIC WITHSTANDING VOLTAGE : 5000 VRMS, MIN
 C. INSULATION RESISTANCE : 50000 MΩ MIN.

3. MECHANICAL:

A. DURABILITY: 500 CYCLES, MIN.
 B. TEMPERATURE RANGE: -65° C TO +165° C

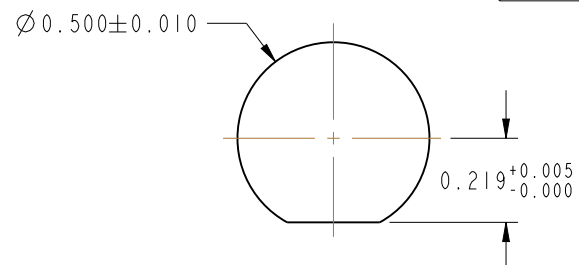
4. PACKAGING:

A. QUANTITY: SINGLE PACK
 B. MARKING: BAG TO BE MARKED
 "AMPHENOL RF, 28400, AND DATE CODE"

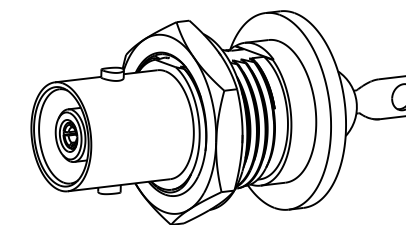
THIRD ANGLE PROJ.

REVISIONS

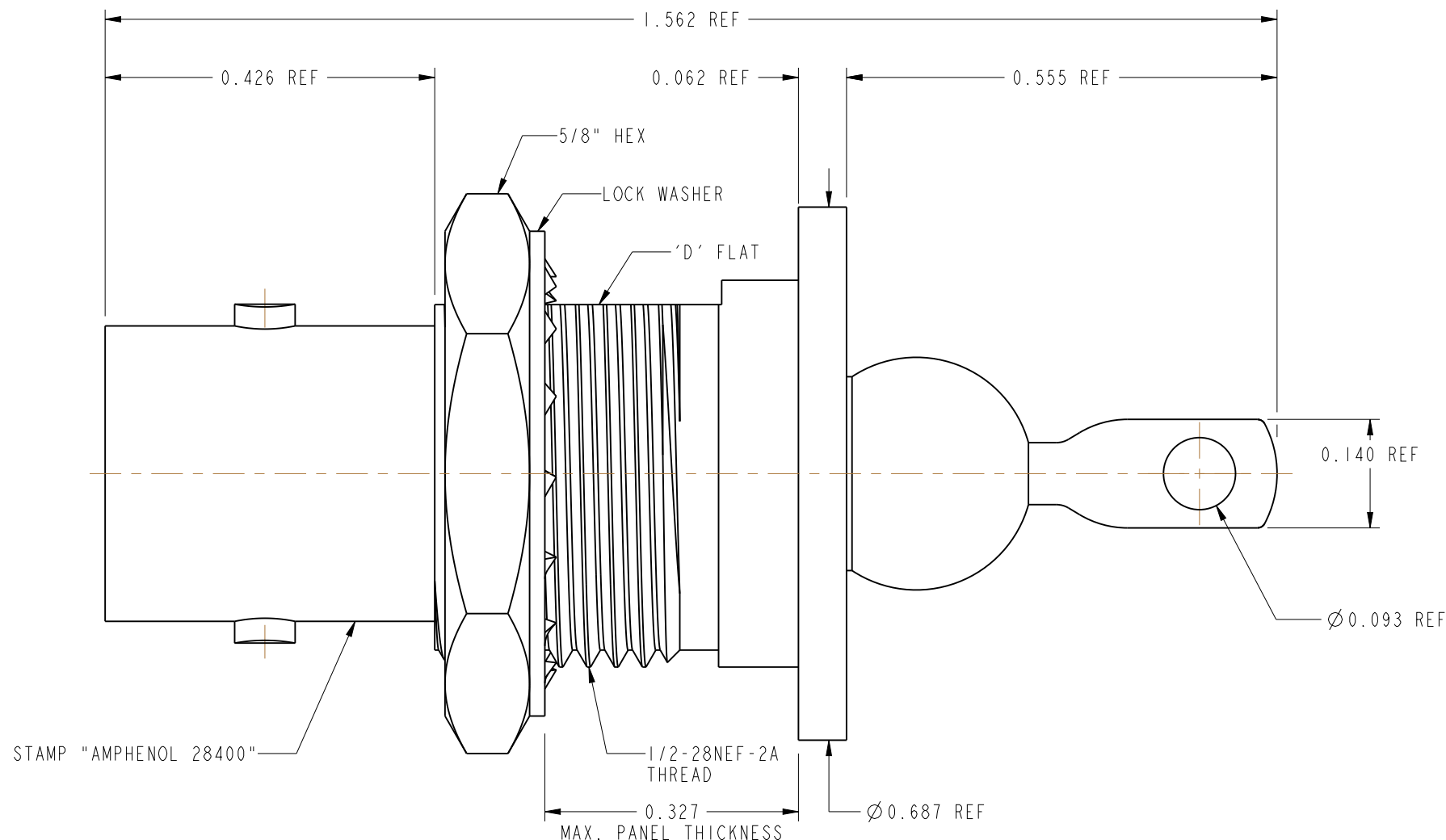
REV	DESCRIPTION	DATE	ECO	APPR
--	RELEASE TO MFG.	--	--	--
T	REDRAWN IN PRO-E & COD SHEET ADDED	2/11/16	50890	AAP



RECOMMENDED MOUNTING HOLE DIMENSIONS



SCALE 1.500



CUSTOMER OUTLINE DRAWING

ALL OTHER SHEETS ARE FOR INTERNAL USE ONLY

UNLESS OTHERWISE SPECIFIED, DIMENSIONS ARE IN INCHES AND TOLERANCES ARE: 2 PLACE DECIMAL 3 PLACE DECIMAL ANGLES ± 0.015 (0,381 mm) ± 0.005 (0,127 mm) $\pm 1^\circ$	MATERIAL	DRAWN	DATE	TITLE		Amphenol RF
	SEE NOTES	A ARUN PRABU	18-Nov-15			
	REFERENCE	ENGINEER	DATE	PRESSURIZED, FLAT TAB,		DRAWING NO.28400
	EAR #	A ARUN PRABU	18-Nov-15	RECEPTACLE 5000 VOLTS		ITEM NO.28400
NOTICE - These drawings, specifications, or other data (1) are, and remain the property of Amphenol corp. (2) must be returned upon request; and (3) are confidential and not to be disclosed to any person other than those to whom they are given by Amphenol Corp. the furnishing of these drawings, specifications, or other data by Amphenol Corp., or to any other person to anyone for any purpose is not to be regarded by implication or otherwise in any manner licensing, granting rights to permitting such holder or any other person to manufacture, use or sell any product, process or design, patented or otherwise, that may in any way be related to or disclosed by said drawings, specifications, or other data.	CONFIGURATION LEVEL: In Work	APPROVED	DATE	SCALE: 5.0:1.0	SHEET 2 OF 2	PART NO.28400
FINISH		K. CAPOZZI	2/11/16	DWG SIZE	REV	
				B	T	