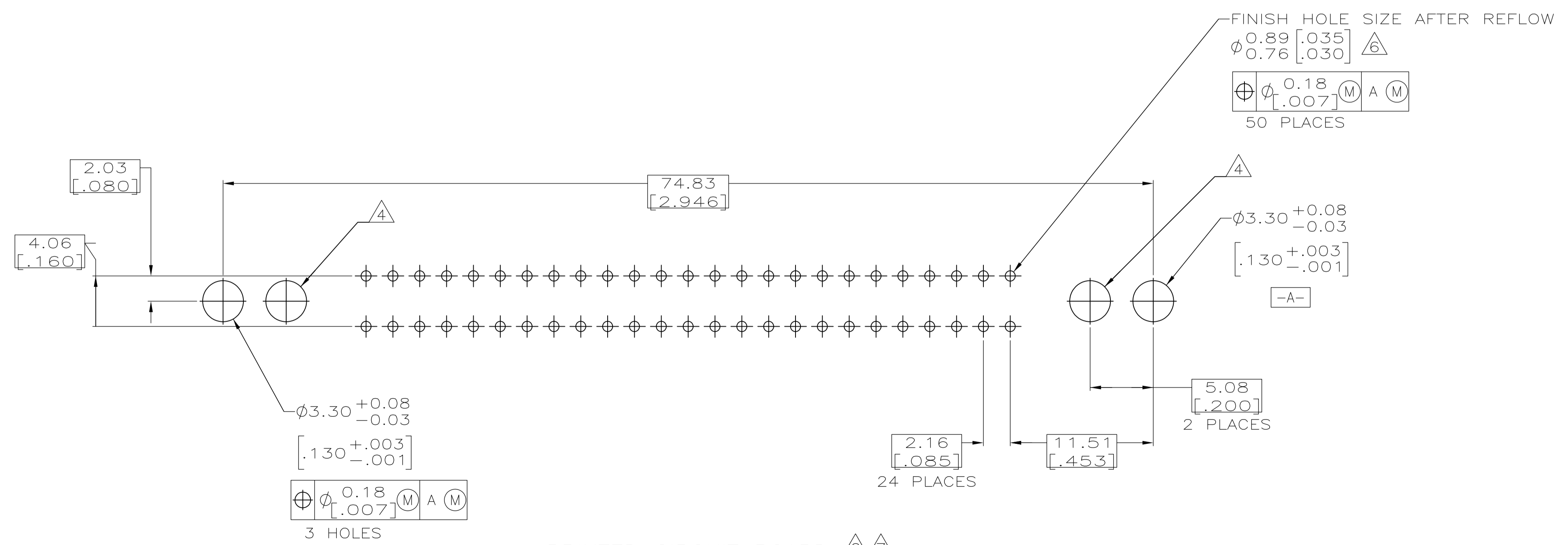
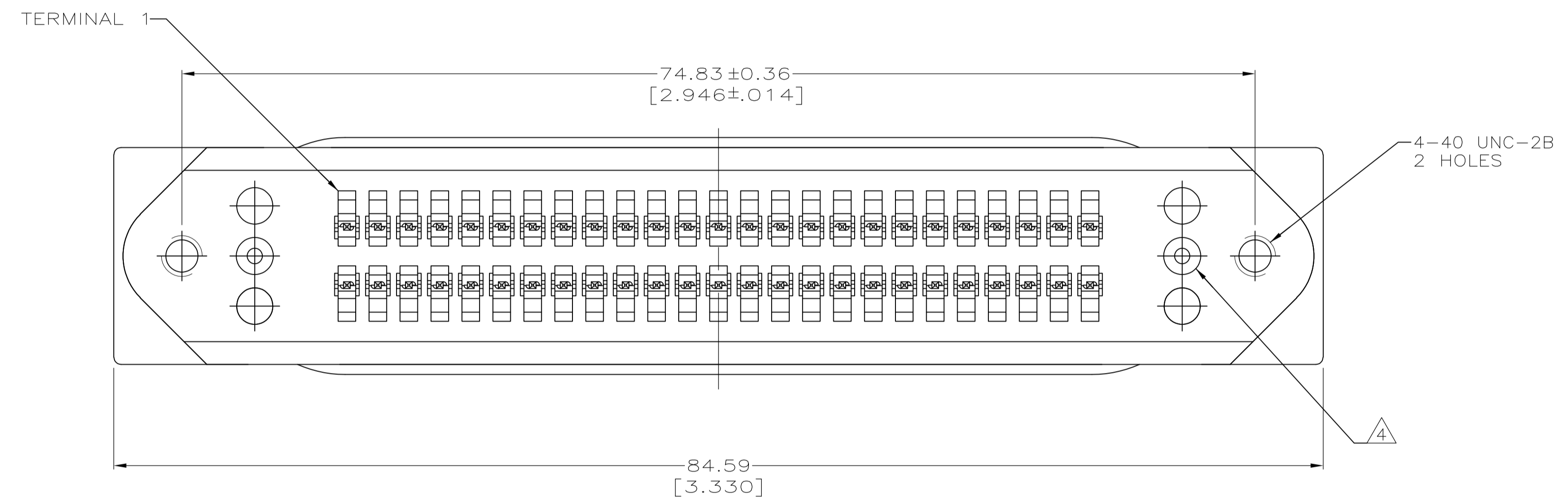
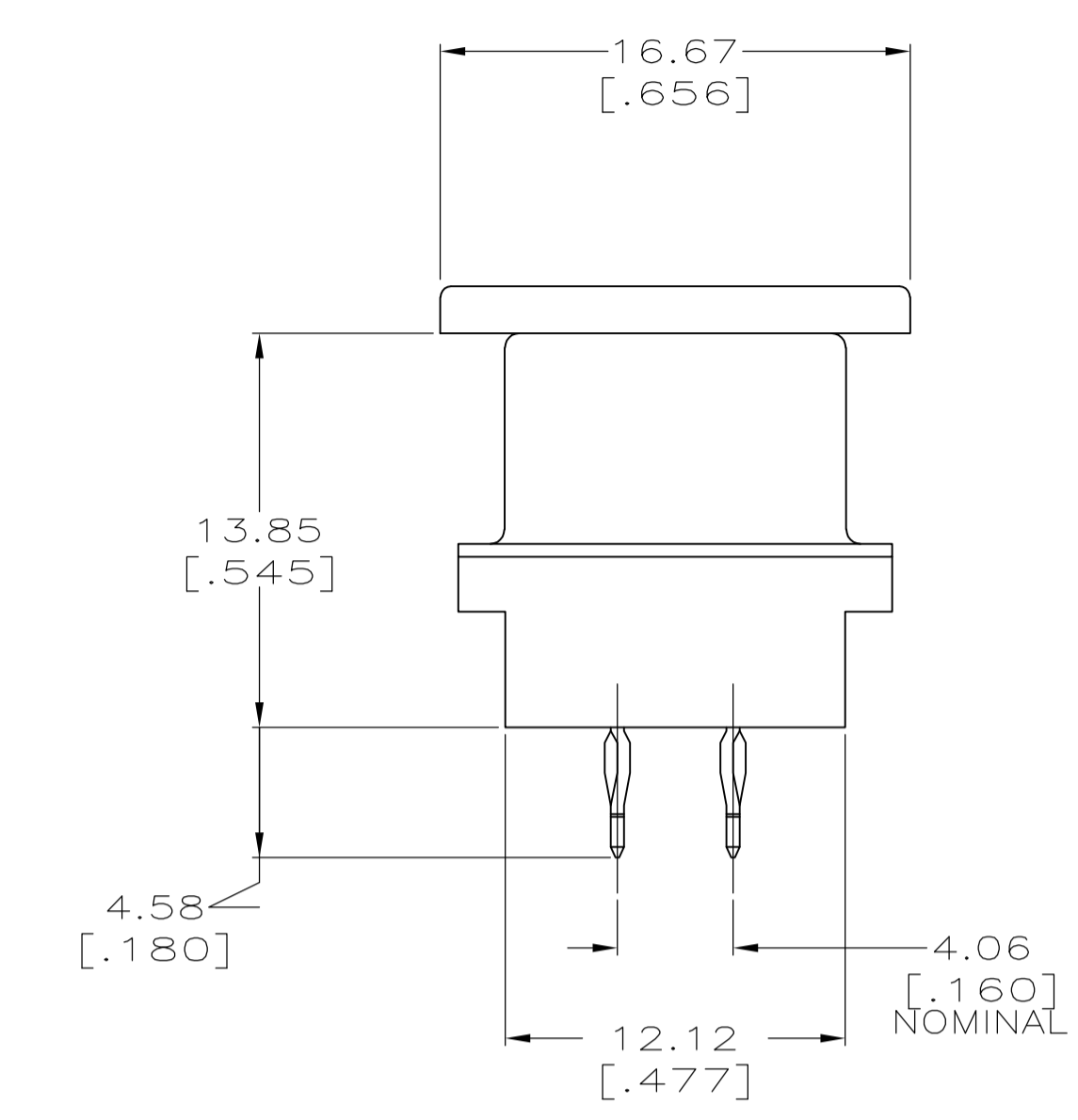
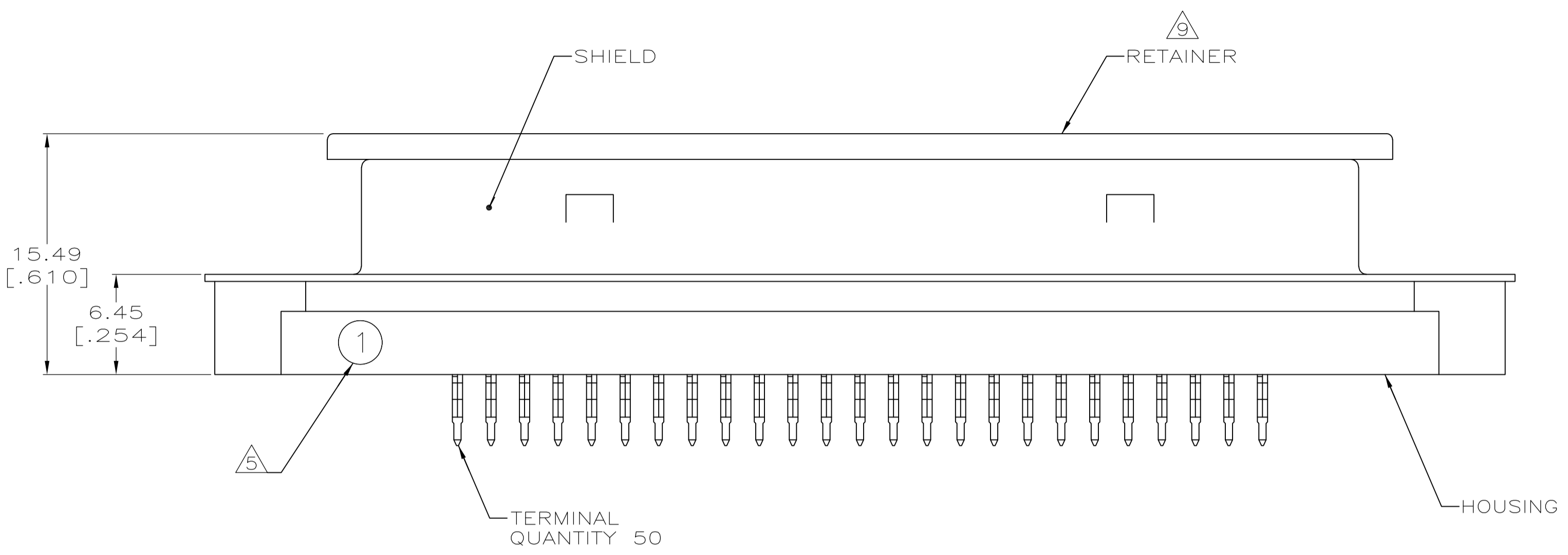


LOC		DIST		REVISIONS			
P	LTR	DESCRIPTION	DATE	DMN	APVD		
E	PER	ECO-12-012349	14MAR13	BL	AC		



PRINTED CIRCUIT BOARD MOUNTING DIMENSIONS

- 1. DIMENSIONS ARE MAXIMUM UNLESS OTHERWISE SPECIFIED.
- 2. MATERIAL: HOUSING - POLYESTER, BLACK. TERMINAL - COPPER ALLOY PLATED WITH 0.76μm [.000030] MINIMUM GOLD ON MATING SURFACE AND: 557984-1 - 0.13μm [.000005] MINIMUM GOLD ON ACTION PIN AREA. 557984-2 - 2.54μm [.000100] MINIMUM TIN-LEAD ON ACTION PIN AREA. OVER 1.27μm [.000050] MINIMUM NICKEL UNDERPLATE OVER ENTIRE TERMINAL. RETAINER - POLYETHYLENE, NATURAL. SHIELD - CARBON STEEL, PLATED BRIGHT NICKEL 5.08μm [.000200] MINIMUM.
- 3. THE CONTACT SURFACES OF THE TERMINALS ARE COATED WITH LUBRICANT.
- 4. OPTIONAL MOUNTING HOLE FOR SELF-TAPPING SCREW.
- 5. "1" ON HOUSING INDICATES LOCATION OF TERMINAL 1.
- 6. ALL PLATED-THRU HOLES SHALL BE PER AMP SPEC 115-6072.
- 7. 50 LBS. MINIMUM FORCE REQUIRED TO UNSEAT CONNECTOR FROM PRINTED CIRCUIT BOARD WITHOUT USE OF HARDWARE.
- 8. CENTER-TO-CENTER SPACING OF TERMINALS IS 2.16 [.085] NOMINAL.
- 9. RETAINER MUST REMAIN INSTALLED UNTIL AFTER CONNECTOR HAS BEEN INSERTED INTO PCB HOLES.

OBSOLETE	TIN-LEAD	557984-2
	GOLD	557984-1
	ACTION PIN PLATING	PART NUMBER

THIS DRAWING IS A CONTROLLED DOCUMENT.		DIN JOEL H. WOOTEN 14APR93		C.WHITT 22APR93		NAME		RECEPTACLE ASSEMBLY	
DIMENSIONS: mm		TOLERANCES UNLESS OTHERWISE SPECIFIED:		APVD R. RAHERTY 26APR93		PRODUCT SPEC		50 POSITION SHIELD ACTION PIN CHAMP	
0. PLC ± -		1. PLC ± -		2. PLC ± -		3. PLC ± -		4. PLC ± -	
MATERIAL		FINISH		SIZE		CAGE CODE		DRAWING NO	
				A1		00779		557984	
				CUSTOMER DRAWING		SCALE 1:1		SHEET 1 OF 1	