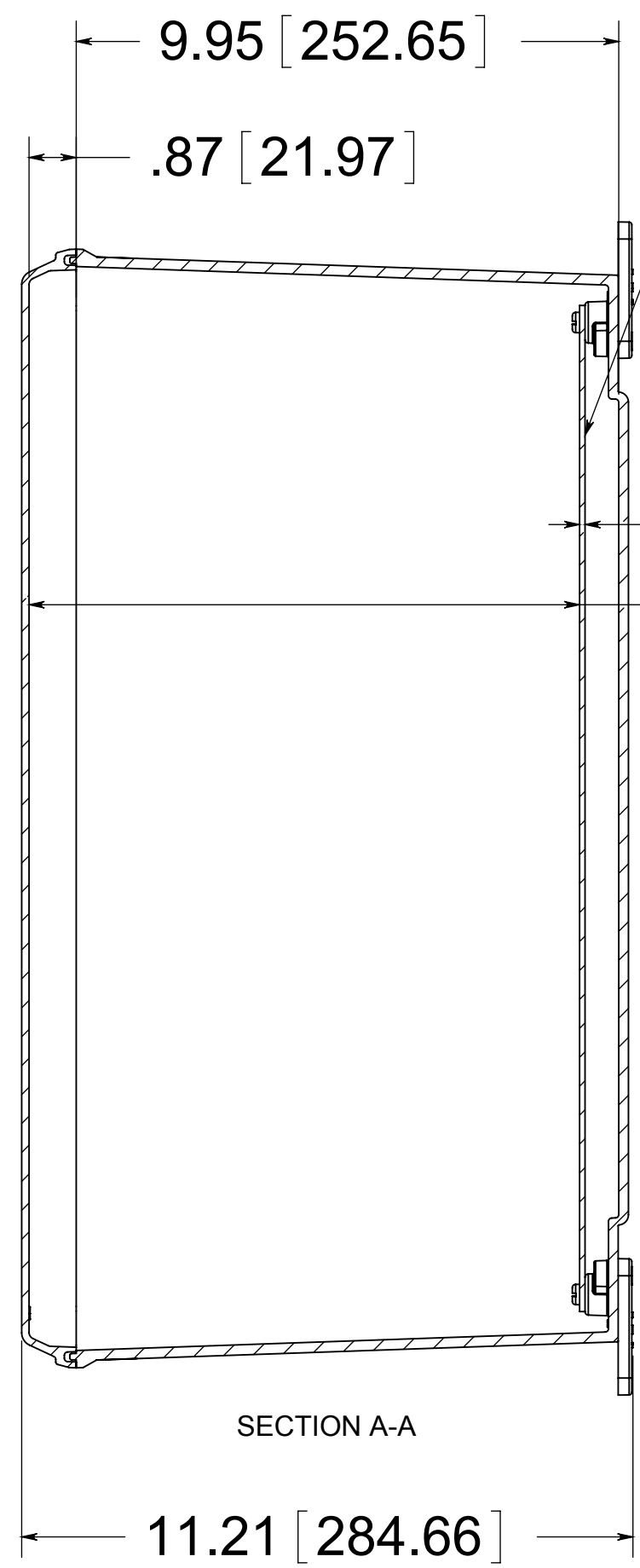


STAINLESS STEEL HINGE PIN

(2) EACH #10-32 BRASS INSERTS AND STAINLESS STEEL CAPTIVE COVER SCREWS WITH RETAINING O-RING



SECTION A-A

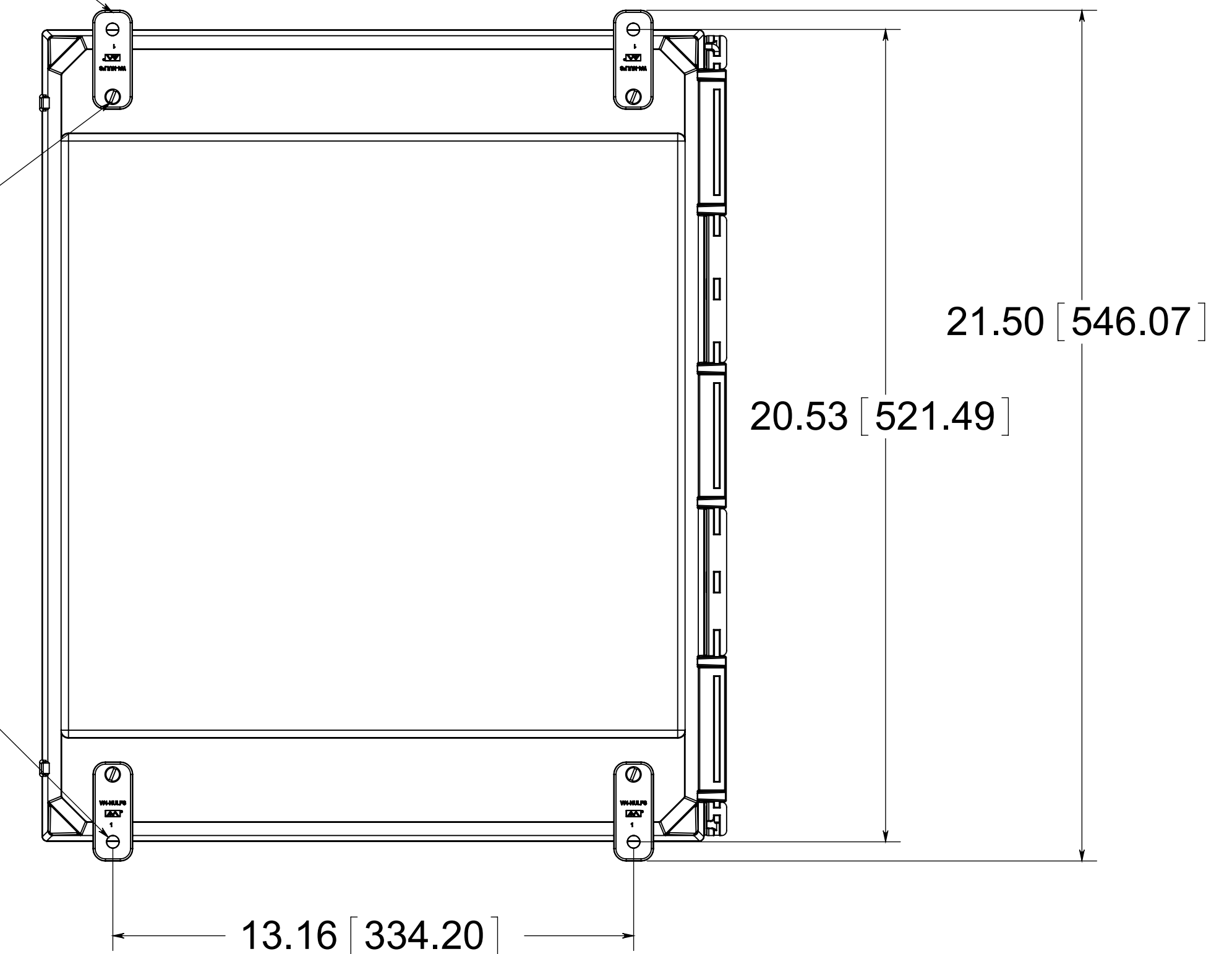
OPTIONAL BACK PANEL  
0.100 [2.54] TH'K- ALUMINUM  
0.075 [1.91] TH'K- WHITE STEEL & GALVANNEALED  
0.125 [3.18] TH'K- FIBERGLASS

(4) POLYCARBONATE FEET

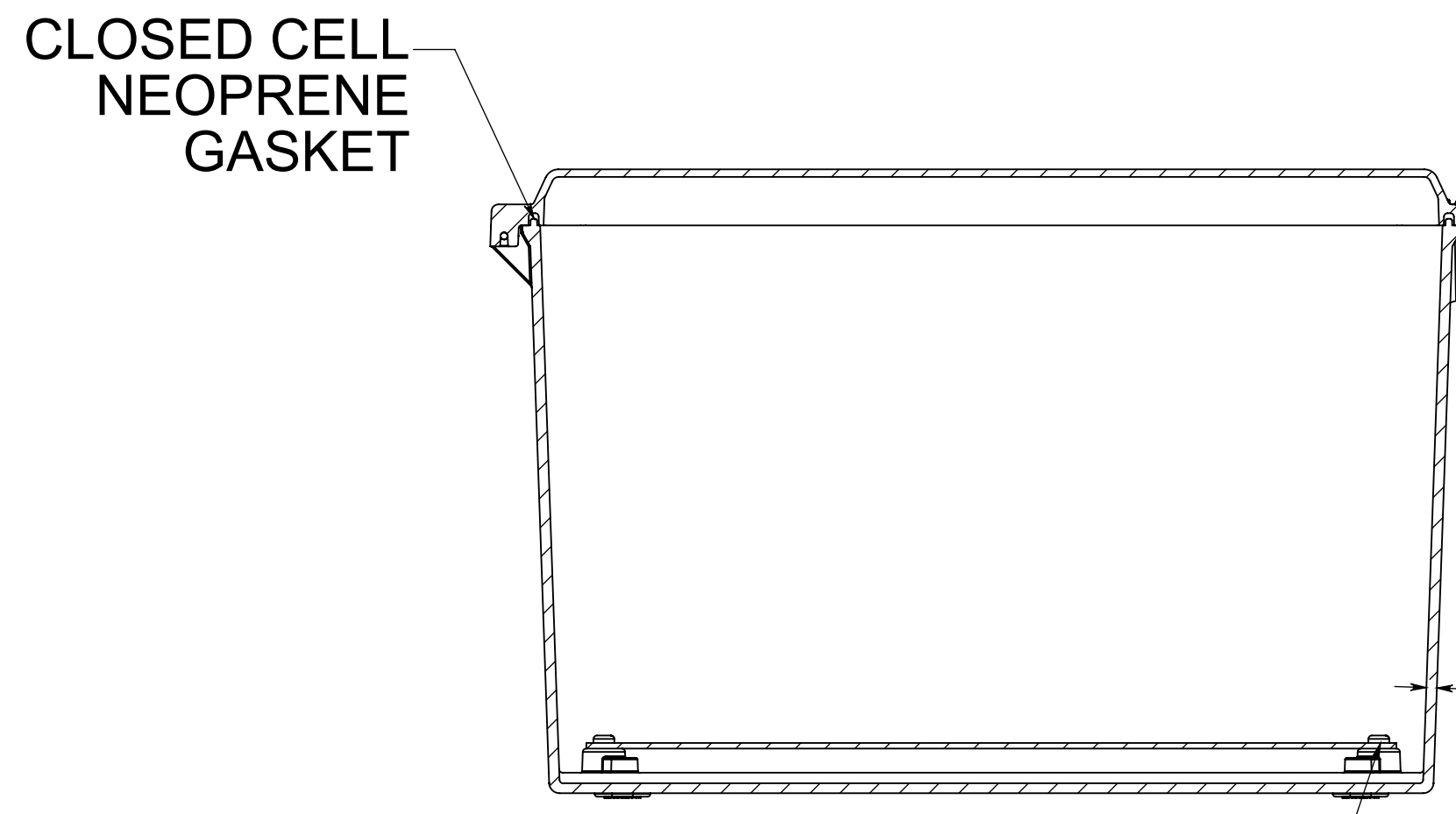
(4) EACH #10-32 BRASS INSERTS, AND STAINLESS STEEL FLANGE AND FEET SCREWS

(4)  $\phi$ .31 [7.95]

BACK VIEW

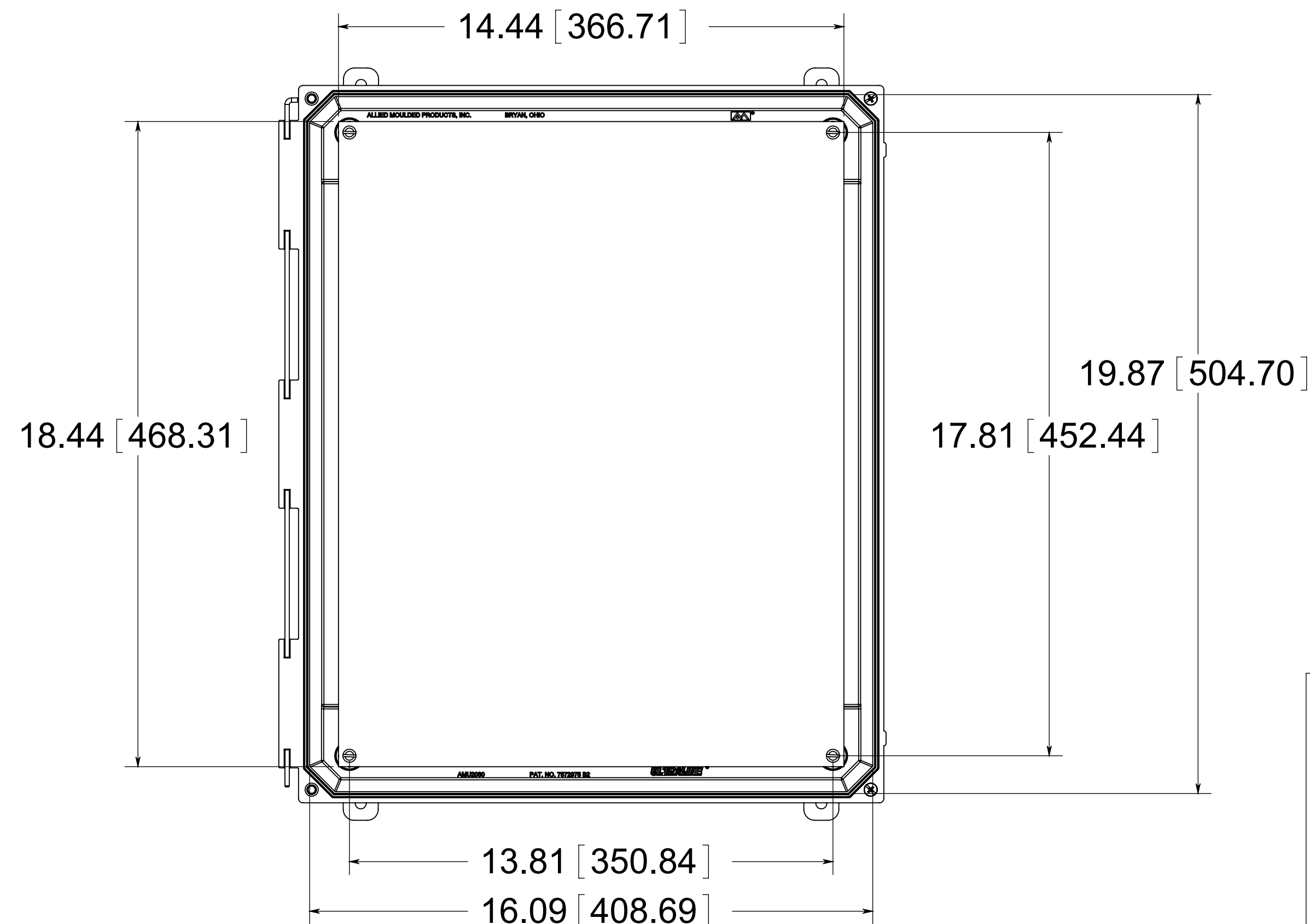


FRONT VIEW WITH COVER REMOVED AND BACK PANEL DISPLAYED

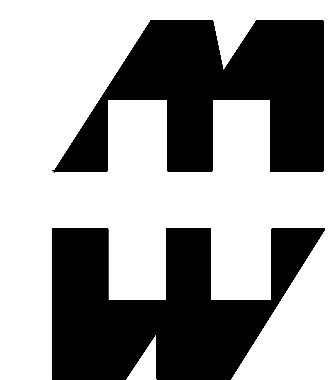


SECTION B-B

(4) EACH #10-32 BRASS INSERTS AND PLATED CARBON STEEL SCREWS



MATERIAL:  
BOX- COMPRESSION MOLDED FIBERGLASS REINFORCED POLYESTER  
COVER- COMPRESSION MOLDED FIBERGLASS REINFORCED POLYESTER  
WINDOWS- POLYCARBONATE



PART No. PJU201610H

for more information visit [www.hammfg.com](http://www.hammfg.com)

Data subject to change without notice

Drawing Not to Scale