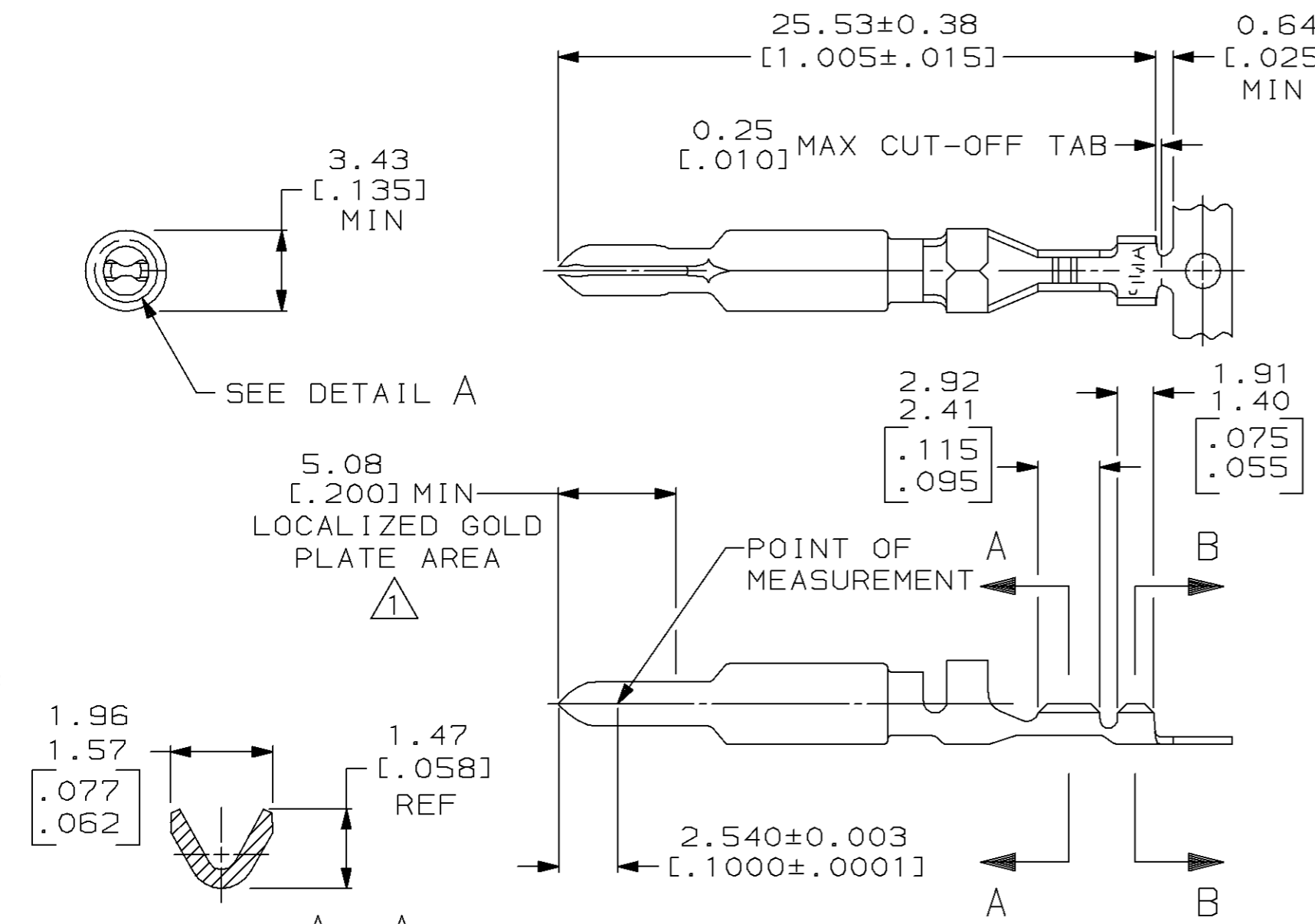
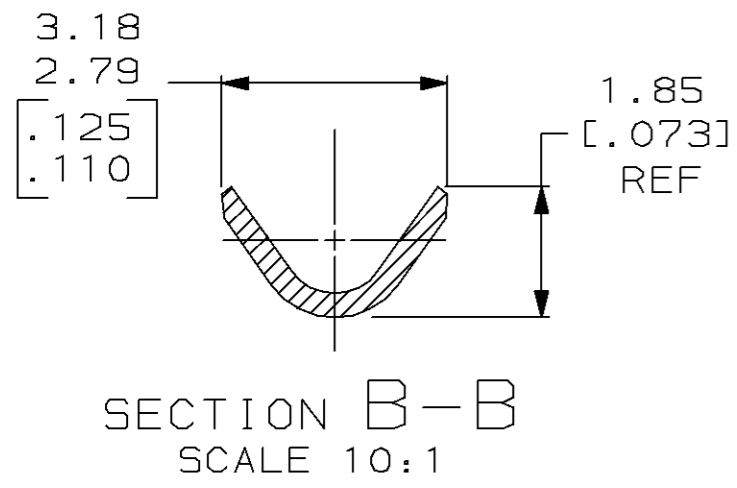
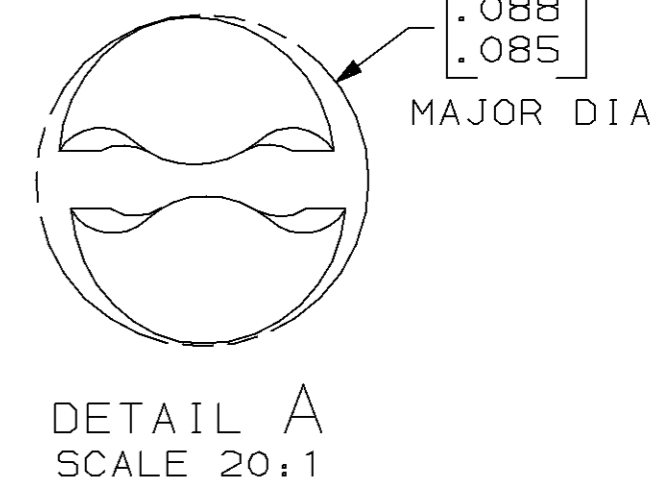
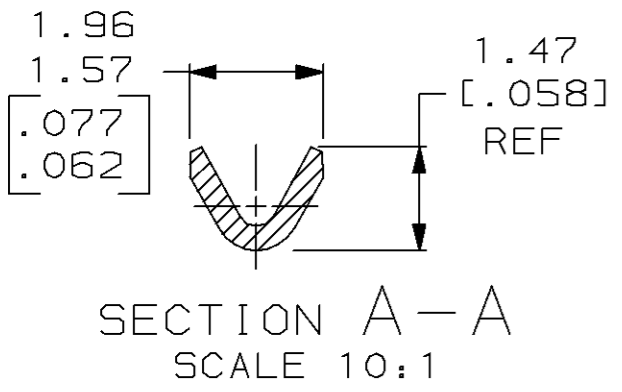


THIS DRAWING IS UNPUBLISHED. RELEASED FOR PUBLICATION ,19 .
 © COPYRIGHT 19 BY AMP INCORPORATED. ALL INTERNATIONAL RIGHTS RESERVED.

LOC	DIST	P	F	ZONE	LTR	REVISIONS	DATE	APPD
CM	53					A2 CORRECTED DWG TITLE	12-2-92	K5 RS



- 0.00076 [.000030] MIN GOLD AT POINT OF MEASUREMENT IN THE LOCALIZED GOLD PLATE AREA, AND ON INSIDE OF WIRE BARREL, OVER 0.00127 [.000050] NICKEL ON ENTIRE CONTACT.
- WIRE RANGE: 0.05-0.15mm² [30-26] AWG. INSULATION RANGE: 0.81-1.45 [.032-.057].
- DIMENSIONS IN BRACKETS ARE IN INCHES.



METRIC

GOLD \triangle 0.30 [.012] PH BRZ		770011-6	
FINISH		MATERIAL	
DO NOT SCALE PRINT. UNLESS SPECIFIED DIMENSIONS IN MM [INCHES] TOLERANCES ON: 2 PLC DEC ± _____ 3 PLC DEC ± _____ ANGLES ± _____		AMP INCORPORATED Harrisburg, Pa. 17105	
MATERIAL SEE TABLE		NAME PIN, UNIVERSAL MATE-N-LOK™ II	
FINISH SEE TABLE		SIZE B	DRAWING NO 770011
		FSCM NO 00779	SHEET 1 OF 1
		SCALE 4:1	