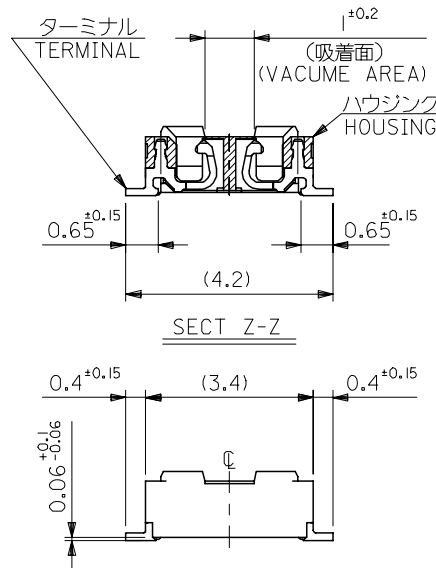


- テール平坦度は、0.08以下
テール及び金具の平坦度は、0.1以下
TAIL COPLANARITY TO BE 0.08MAXIMUM
TAIL AND FITTING NAIL COPLANARITY TO BE 0.1MAXIMUM
- 同一回路以外のパターン書込み禁止範囲を示す。
NO PRINT CIRCUIT AREA OTHER THAN THE SAME CIRCUIT.
- ELV及びRoHS適合品。
ELV AND RoHS COMPLIANT.



注記 NOTES:

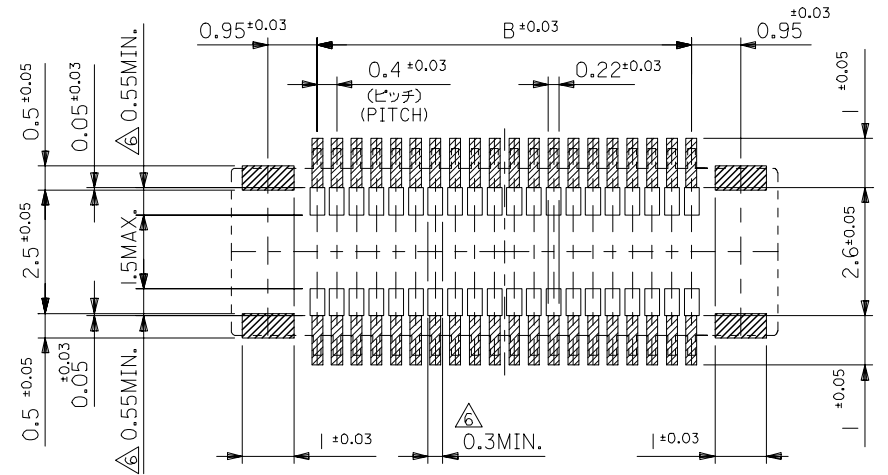
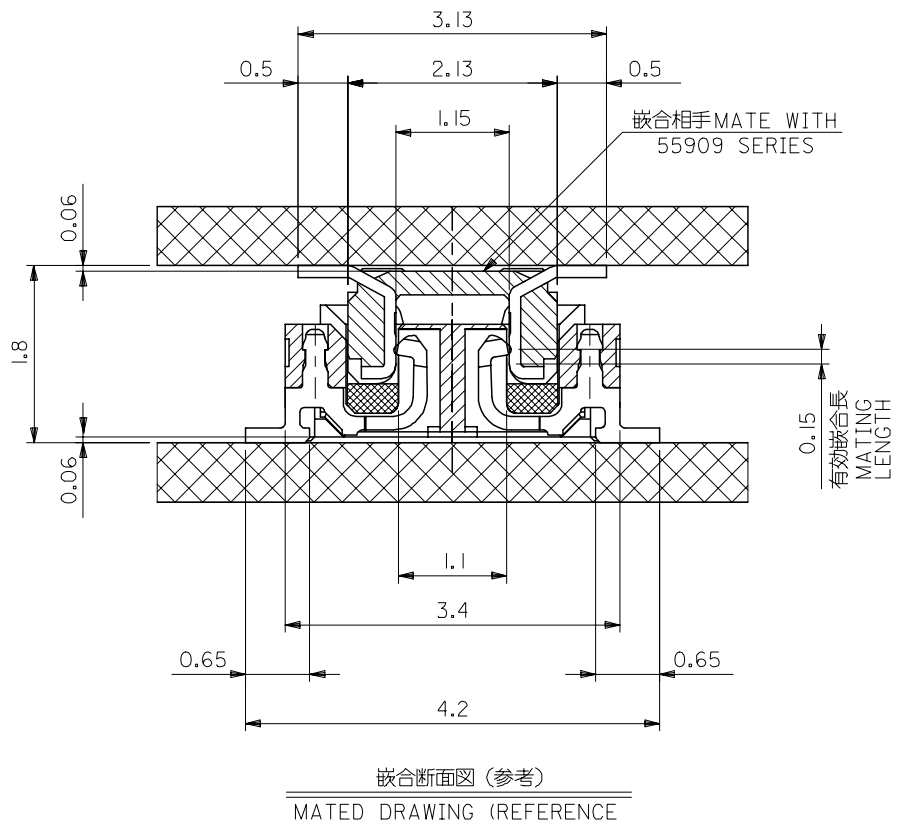
- 使用材料 MATERIAL
ハウジング: 液晶ポリマー (LCP) ガラス充填
UL94V-0 (黒)
HOUSING: LIQUID CRYSTAL POLYMER (GLASS FILLED)
UL94V-0 (COLOR: BLACK)
ターミナル: リン青銅 (t=0.15)
TERMINAL: PHOSPHOR BRONZE (t=0.15)
金具: リン青銅 (t=0.15)
FITTING NAIL: PHOSPHOR BRONZE (t=0.15)
- メッキ仕様 PLATING
ターミナル TERMINAL
金メッキ 0.2マイクロメートル以上 (コンタクト部)
GOLD 0.2MICROMETER MINIMUM (CONTACT AREA)
金メッキ 0.4マイクロメートル以下 (テール部)
GOLD 0.4MICROMETER MAXIMUM (TAIL AREA)
下地メッキ: ニッケルメッキ 1.5マイクロメートル以上
*コンタクト部とテール部はニッケルメッキによって分断されている
金メッキです。
UNDER PLATING: NICKEL 1.5MICROMETER MINIMUM
DIVIDE INTO PARTS THE GOLD PLATING OF THE CONTACT AND THE TAIL PART BY THE NICKEL PLATING.
- 金具 FITTING NAIL
錫メッキ 1.0マイクロメートル以上
TIN PLATING 1.0MICROMETER MINIMUM
下地メッキ: ニッケルメッキ 1.0マイクロメートル以上
UNDER PLATING: NICKEL 1.0MICROMETER MINIMUM
- △ (全極数/2) = 偶数の場合に適用。
APPLY FOR (CIRCUIT/2)=EVEN.
- 嵌合相手: 55909シリーズ
MATE WITH: 55909 SERIES.

17.5	15.6	19.1	500837-0873	80
15.5	13.6	17.1	500837-0773	70
13.5	11.6	15.1	500837-0673	60
11.5	9.6	13.1	500837-0573	50
9.5	7.6	11.1	500837-0473	40
8.3	6.4	9.9	500837-3473	34
7.5	5.6	9.1	500837-0373	30
5.9	4.0	7.5	500837-2273	22
5.5	3.6	7.1	500837-0273	20
3.9	2.0	5.5	500837-9973	12
C	B	A	MATERIAL No.	CKT.

REVISED EC NO: J2008-0374 DRWN: AOYAGI 2007/08/23 CHKD: TOYODA 2007/08/23 APPR: NUKITA 2007/08/23	GENERAL TOLERANCES (UNLESS SPECIFIED)		DIMENSION STYLE MM ONLY		500837-xx73		MODEL NO.	
	10 UNDER ± ---		DRAWN BY M. NABE I		SCALE ---		DESIGN UNITS METRIC	
	10 OVER 30 UNDER ± ---		DATE '05/04/20		THIRD ANGLE PROJECTION		7.0 0.4 B-TO-B CONN REC HSG ASSY FOR CHECKER	
	30 OVER ± ---		CHECKED BY K. TOYODA		TITLE			
ANGULAR ± --- °		DATE '05/04/20		APPROVED BY N. UKITA		MOLEX MOLEX INCORPORATED		
DRAFT WHERE APPLICABLE MUST REMAIN WITHIN DIMENSIONS		MATERIAL NO. SEE TABLE		DOCUMENT NO. SD-500837-003		SHEET NO. 1 OF 2		
SIZE A3		THIS DRAWING CONTAINS INFORMATION THAT IS PROPRIETARY TO MOLEX INCORPORATED AND SHOULD NOT BE USED WITHOUT WRITTEN PERMISSION						

10 9 8 7 6 5 4 3 2 1

F
E
D
C
B
A

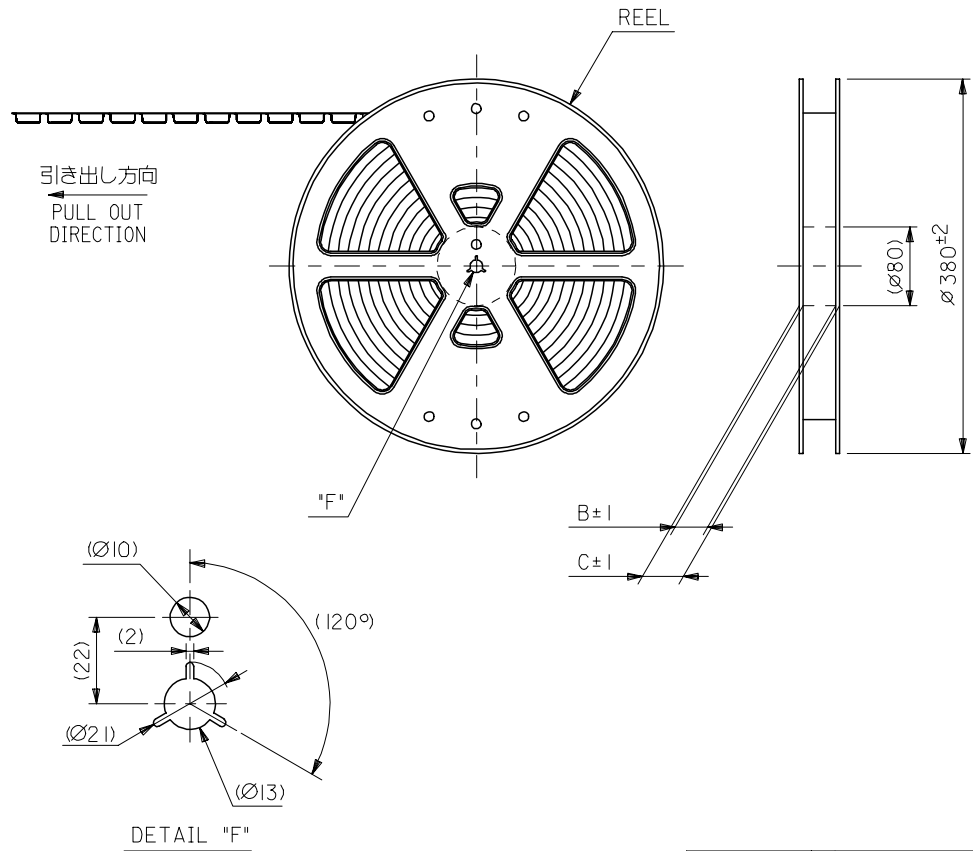


REVISED	DESCRIPTION
EC NO: J2008-0374	2007/08/23
DRWN: AOYAGI	2007/08/23
CHKD: TOYODA	2007/08/23
APPR: NUKITA	2007/08/23

GENERAL TOLERANCES (UNLESS SPECIFIED)	
10 UNDER	± ---
10 OVER 30 UNDER	± ---
30 OVER	± ---
ANGULAR	± --- °
DRAFT WHERE APPLICABLE MUST REMAIN WITHIN DIMENSIONS	

DIMENSION STYLE	
MM ONLY	
DRAWN BY	DATE
M. NABE I	'05/04/20
CHECKED BY	DATE
K. TOYODA	'05/04/20
APPROVED BY	DATE
N. UKITA	'05/04/20
MATERIAL NO.	
SEE TABLE	
SIZE	
A3	

500837-xx73		MODEL NO.
SCALE	DESIGN UNITS	THIRD ANGLE PROJECTION
---	METRIC	
TITLE		
0.4 B-TO-B CONN REC HSG ASSY FOR CHECKER		
MOLEX INCORPORATED		SHEET NO.
DOCUMENT NO.		2 OF 2
SD-500837-003		



NOTES

- 製品詳細寸法については製品単体図面を参照下さい。
RE DETAILED DIMENSION, SEE PRODUCT DRAWING.
- 梱包数量：2500個/リール
NUMBER OF CONNECTORS : 2500PCS/REEL
- リードテープ長さ LEAD TAPE LENGTH
20PCS. MIN. トップテープ接着部 (空エンボス)
TOP TAPE BONDED PART. (EMPTY)
部品挿入部 COMPONENT SUPPLIER
末端部 (空部) TAIL PART (EMPTY)
400 MIN. 40 MIN.
- 材料 MATERIAL
キャリアテープ (CARRIER TAPE) : ポリプロピレン (POLYPROPYLENE)
トップテープ (TOPTAPE) : PET , PE , PEF
リール (REEL) : ポリスチレン (PS) <リサイクル材を含む>
POLYSTYRENE (PS) <RECYCLE MATERIAL CONTAINED>
- ELV及びRoHS適合品。
ELV AND RoHS COMPLIANT.

REVISED EC NO: J2008-0374 DRAWN: AOYAGI 2007/08/23 CHKD: TOYODA 2007/08/23 APPR: NUKITA 2007/08/23	GENERAL TOLERANCES (UNLESS SPECIFIED)		DIMENSION STYLE MM ONLY		500837-xx74	MODEL NO.	
	10 UNDER	± ---	DRAWN BY M. NABEI	DATE '05/04/20	SCALE ---	DESIGN UNITS METRIC	THIRD ANGLE PROJECTION
	10 OVER 30 UNDER	± ---	CHECKED BY K. TOYODA	DATE '05/04/20			
	30 OVER	± ---	APPROVED BY N. UKITA	DATE '05/04/20	MOLEX INCORPORATED		
ANGULAR	± --- °	MATERIAL NO.	DOCUMENT NO.	SHEET NO.			
DRAFT WHERE APPLICABLE MUST REMAIN WITHIN DIMENSIONS		SEE TABLE		SD-500837-004		1 OF 3	
SIZE A3 THIS DRAWING CONTAINS INFORMATION THAT IS PROPRIETARY TO MOLEX INCORPORATED AND SHOULD NOT BE USED WITHOUT WRITTEN PERMISSION							

10 9 8 7 6 5 4 3 2 1

F

E

D

C

B

A

F

E

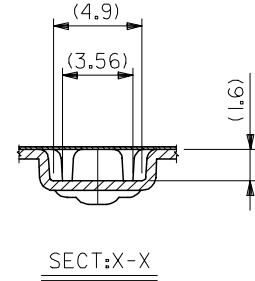
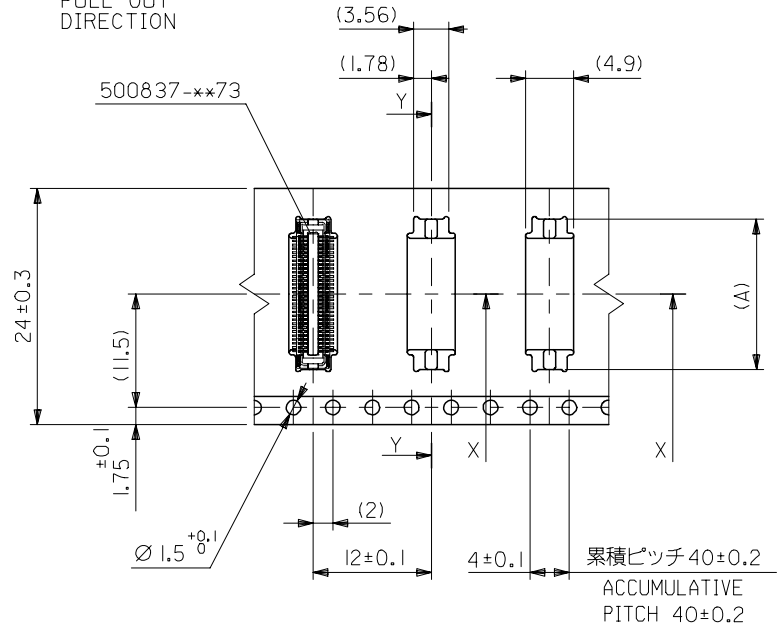
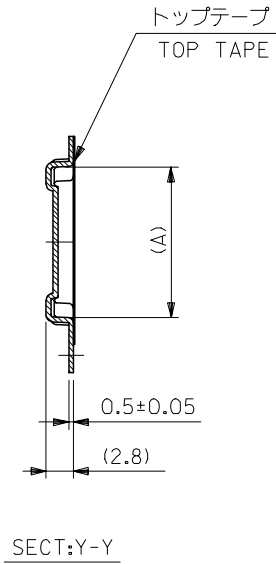
D

C

B

A

引き出し方向
PULL OUT
DIRECTION



24mm幅キャリアテープ
24mm WIDTH CARRIER TAPE

24	29.4	25.4	15.26	500837-0674	60
			13.26	500837-0574	50
			11.26	500837-0474	40
			10.06	500837-3474	34
			9.26	500837-0374	30
			7.66	500837-2274	22
			7.26	500837-0274	20
5.66	500837-9974	12			
キャリアテープ幅 CARRIER TAPE WIDTH	C	B	(A)	MATERIAL NO.	極数 CKT.

REVISED EC NO: J2008-0374 DRWN: AOYAGI 2007/08/23 CHKD: TOYODA 2007/08/23 APPR: NUKITA 2007/08/23	GENERAL TOLERANCES (UNLESS SPECIFIED)		DIMENSION STYLE MM ONLY		SCALE ---	DESIGN UNITS METRIC	THIRD ANGLE PROJECTION
	10 UNDER	± ---	DRAWN BY M. NABE I	DATE '05/04/20	TITLE 0.4 B-TO-B CONN REC HSG ASSY FOR CHECKER		
	10 OVER 30 UNDER	± ---	CHECKED BY K. TOYODA	DATE '05/04/20	APPROVED BY N. UKITA		
	30 OVER	± ---	APPROVED BY N. UKITA	DATE '05/04/20	MATERIAL NO. 500837-**74		
	ANGULAR	± --- °	DRAFT WHERE APPLICABLE MUST REMAIN WITHIN DIMENSIONS		DOCUMENT NO. SD-500837-004		SHEET NO. 2 OF 3

9

8

7

6

5

4

3

2

10 9 8 7 6 5 4 3 2 1

F

E

D

C

B

A

F

E

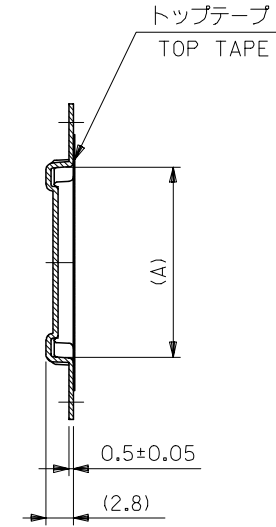
D

C

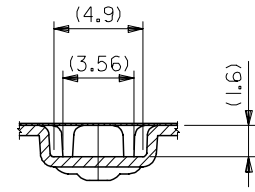
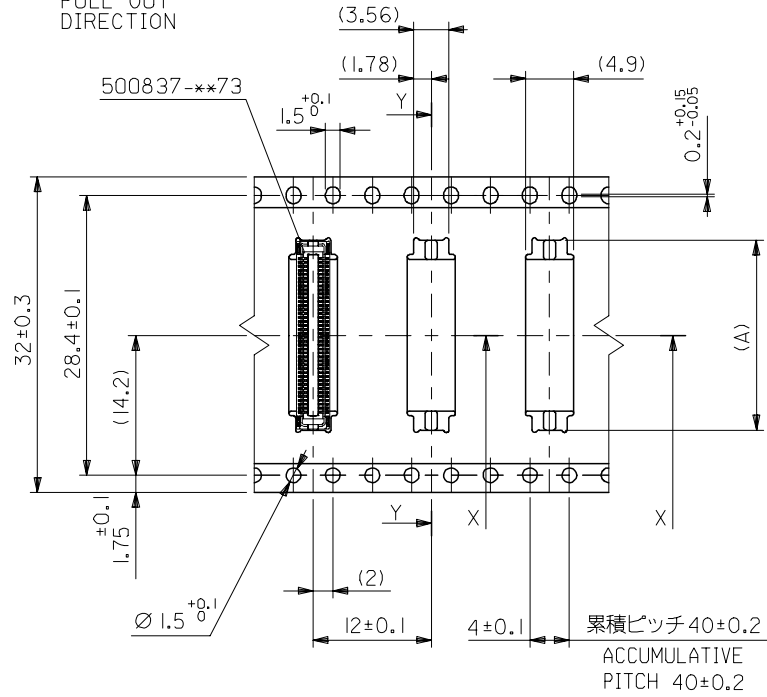
B

A

引き出し方向
PULL OUT
DIRECTION



SECT:Y-Y



SECT:X-X

32mm幅キャリアテープ
32mm WIDTH CARRIER TAPE

32	37.4	33.4	19.26	500837-0874	80
			17.26	500837-0774	70
キャリアテープ幅 CARRIER TAPE WIDTH	C	B	(A)	MATERIAL NO.	極数 CKT.

REVISED EC NO: J2008-0374 DRWN: AOYAGI 2007/08/23 CHKD: TOYODA 2007/08/23 APPR: NUKITA 2007/08/23	GENERAL TOLERANCES (UNLESS SPECIFIED)	DIMENSION STYLE MM ONLY	SCALE ---	DESIGN UNITS METRIC	THIRD ANGLE PROJECTION
	10 UNDER ± ---	DRAWN BY M. NABE I	DATE '05/04/20	TITLE 0.4 B-TO-B CONN REC HSG ASSY FOR CHECKER	
	10 OVER 30 UNDER ± ---	CHECKED BY K. TOYODA	DATE '05/04/20	MOLEX INCORPORATED	
	30 OVER ± ---	APPROVED BY N. UKITA	DATE '05/04/20	DOCUMENT NO. SD-500837-004	SHEET NO. 3 OF 3
ANGULAR ± --- °	DRAFT WHERE APPLICABLE MUST REMAIN WITHIN DIMENSIONS		MATERIAL NO. SEE TABLE		
REV B	SIZE A3		THIS DRAWING CONTAINS INFORMATION THAT IS PROPRIETARY TO MOLEX INCORPORATED AND SHOULD NOT BE USED WITHOUT WRITTEN PERMISSION		