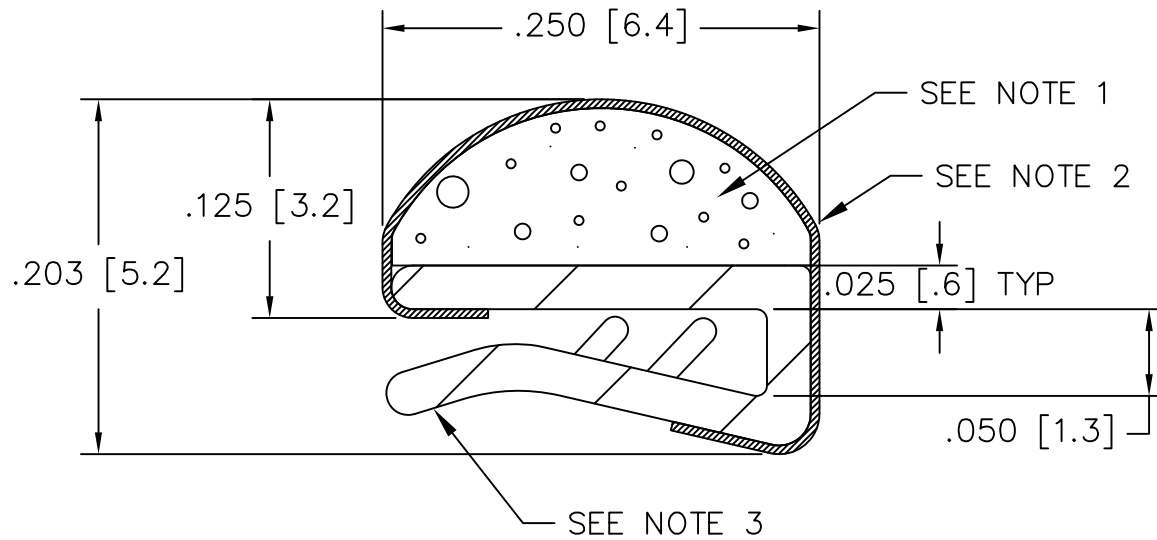


THIS INFORMATION IS CONFIDENTIAL AND PROPRIETARY TO LAIRD TECHNOLOGIES. IT MAY NOT BE DISCLOSED TO ANYONE, OTHER THAN LAIRD TECHNOLOGIES PERSONNEL, WITHOUT WRITTEN AUTHORIZATION FROM LAIRD TECHNOLOGIES.



NOTES:

1. FOAM: POLYURETHANE
2. FABRIC: NICKEL NRS FR ECOGREEN
3. TAPE: NO TAPE
4. LINER: NO EXTENDED RELEASE LINER
5. FABRIC SEAM LOCATION MAY VARY.
6. CARRIER: 1/4" PVC
7. A .028" FEELER GAGE SHOULD SLIDE FREELY INTO THE CLIP OPENING, A .039" FEELER GAGE SHOULD FIT TIGHTLY WHEN FULLY INSERTED INTO THE CLIP.
8. THIS PART IS RoHS COMPLIANT AND MEETS THE REQUIREMENTS OF LT-GES-001

REVISIONS: 1. UPDATE FEELER GAGE NOTE 11/03/08 LZ	TITLE: SHIELDING GASKET		DRAWN LUCY.ZHANG	DATE 11/03-08	SCALE: 1/1	DIMENSIONS ARE IN INCHES. UNLESS OTHERWISE SPECIFIED, TOLERANCES ARE AS FOLLOWS: DECIMALS LENGTH .XX ± .03 0" - 6" ± .030" .XXX ± .020 6" - 11" ± .050" 11" - 48" ± .100" ANGLES 48" - 70" ± .187" ± 1/2" 70" - 144" ± .250"	
	Dwg. or Part No. 4110-HA-51G	REV. 1	CHECKED BY: FJG	DATE 2/22/10			
			RELEASED BY: FJG	DATE 2/22/10			