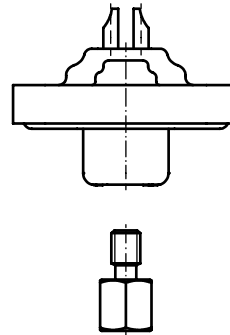
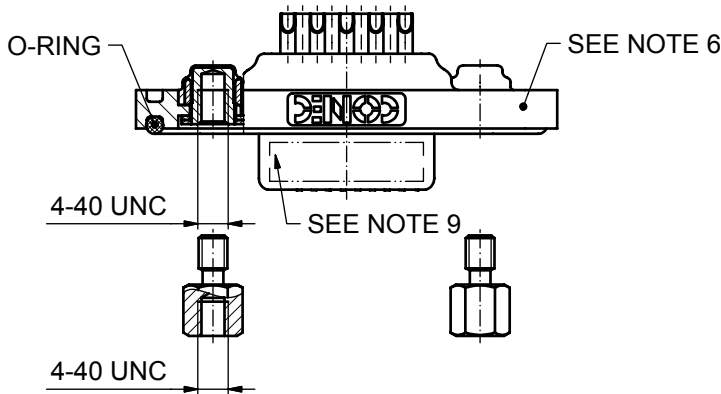


AT ALL TIMES WATER RESISTANT CONNECTORS NOT IN USE SHOULD BE COVERED WITH A CONEC WATER RESISTANT CAP OR WATER TIGHT HOOD.



**NOTES:**

1. METAL SHELLS: STAINLESS STEEL
2. INSULATORS: PBT GF UL 94 V-0, BLACK
3. CONTACTS: COPPER ALLOY  
PLATING: 30µin HARD GOLD over min. 50µin NICKEL  
SOLDER CUP ACCEPTS CABLE AWG 20
4. THREADED INSERT: COPPER ALLOY; min. 200µin TIN over 80µin NICKEL
5. COLLAR: COPPER ALLOY; min. 200µin TIN over 80µin NICKEL
6. FRAME: ZINC DIE CAST; NICKEL PLATED
7. HEXLOCKING SCREW: STAINLESS STEEL
8. RECOMMENDED TORQUE FOR MOUNTING SCREW 35Ncm (3.1 in.LB) / max.40Ncm (3.5 in.LB)
9. CONNECTOR IS PART MARKED: 8STD09SCM99B30X CONEC ABC

Directive 2002/95/EC  
"RoHS"  
Compliant

APPROVAL # FREIGABE # DEBLOCAGE # AUTORIZACION # APPROVAL	
CUSTOMER APPROVAL DATE:	
NAME:	TITLE:
COMPANY NAME:	
APPROVAL # FREIGABE # DEBLOCAGE # AUTORIZACION # APPROVAL	

THIS DRAWING MAY NOT BE COPIED OR REPRODUCED IN ANY WAY, AND MAY NOT BE PASSED ON TO A THIRD PARTY WITHOUT WRITTEN PERMISSION. OWNERSHIP AND COPYRIGHT OF CONEC GmbH  
 DO NOT ALTER CAD DRAWING BY HAND

rev.	description	date	name

tolerance		scale:	2:1 (5:1)
dim. in mm		material:	SEE NOTES
date	name	title:	
drawn: 27.06.08	Lehmenkühler	<b>D-SUB FEMALE</b> 9pos. SOLDER CUP with threaded insert and hexlocking screw	
appd.: 27.06.08	Mickenbecker		
norm	d-old		
a	Origin	dwg no:	Inventor 10
		15K1A240	
		part no:	8STD09SCM99B30X
		DIN-A3	sh: 1