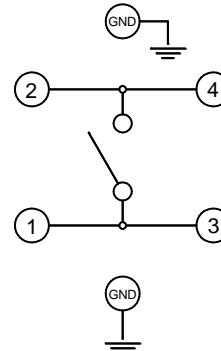
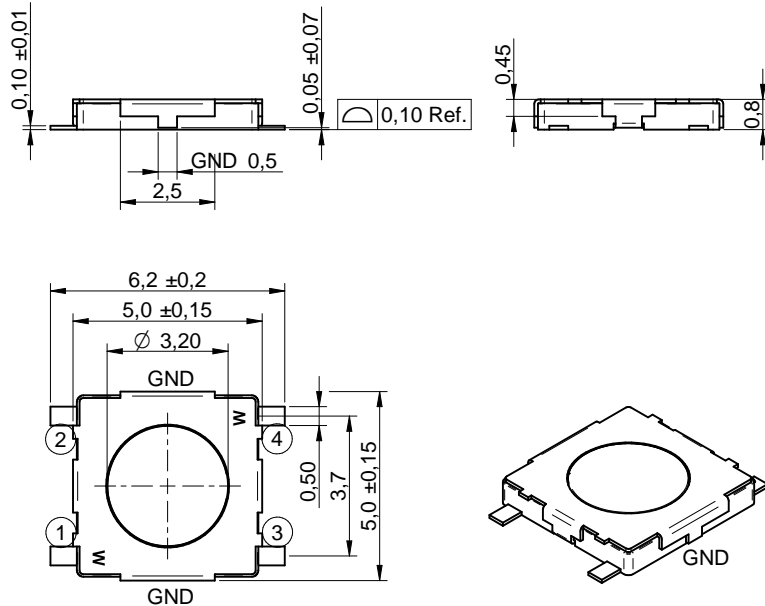


P.C.B. MOUNTING PLAN

Grounded Terminal  
can be effective even if not soldered



SCHEMATIC



**TECHNICAL CHARACTERISTICS**

**SPECIFICATION**

- >Rating: 20mA, 15VDC
- >Contact Resistance: Initial: 100mOHM max. After Life Test: 20OHM max.
- >Insulation Resistance: min. 100MOHM at 500VDC
- >Dielectric Strength: 250VAC for 1 minute
- >Stroke: 0.25 +0.05 / - 0.1mm
- >Bounce: 10ms max.

**MATERIAL**

- >Cover: Copper alloy
- >Frame: LCP UL 94V-0, color Black
- >Contact: Stainless Steel with silver
- >Terminal: Copper alloy with silver plating
- >Tape: Polyimide tape

**SOLDERING INFORMATION**

- >Terminal in SMD version
- >Reflow soldering according to JEDEC J-STD 020 Hot Air
- >Hand soldering under 350°C for 3 sec. max

**ENVIRONMENTAL**

- >Storage condition: -40°C ~ +85°C
- >Operation condition: -40°C ~ +85°C
- >Compliance: Lead Free, ROHS, Reach

**PACKAGING INFORMATION**

- >Tape & Reel

PN	Force	Color of Stem	Life cycle
431 181 008 816	160g ± 50gf	No actuator	1.000.000
431 151 008 826	260g ± 50gf	No actuator	200.000

Scale - 5:1

This electronic component is designed and developed with the intention for use in general electronics equipments.

Before incorporating the components into any equipments in the field such as aerospace, aviation, nuclear control, submarine, transportation, (automotive control, train control, ship control), transportation signal, disaster prevention, medical, public information network etc. where higher safety and reliability are especially required or if there is possibility of direct damage or injury to human body, Würth Elektronik must be asked for a written approval.

In addition, even electronic component in general electronic equipments, when used in electrical circuits that require high safety, reliability functions or performance, the sufficient reliability evaluation-check for the safety must be performed before by the user before usage.

				<b>GENERAL TOLERANCE</b> .x = +/- 0,1 .xx = +/- 0,15			Basic material					
				Date	Name	DESCRIPTION						
f	remove Contact cladding	14-11-03	DaF	Drawn	10-07-13	Jelisarow	WS-TASV 5x5mm Tact Switch with ground terminal, SMD version					
e	revised MatchCode	14-07-24	AL	Checked	10-07-13	Hsu						
d	Bounce 10ms max.	14-04-11	DaF									
c	warning text	11-10-28	WJ	Würth Elektronik eiCan			Scale	5:1	Position		SIZE	
b	Stroke Tolerance was +/- 0,15	11-08-30	WJ				Drawing.- No. 4311x10088x6					A4
a	General Tolerance was +/- 0,2	11-08-26	WJ									
REV	FILE	DATE	BY	EDV NO 4311x10088x6.dft			System :Solid Edge V20					