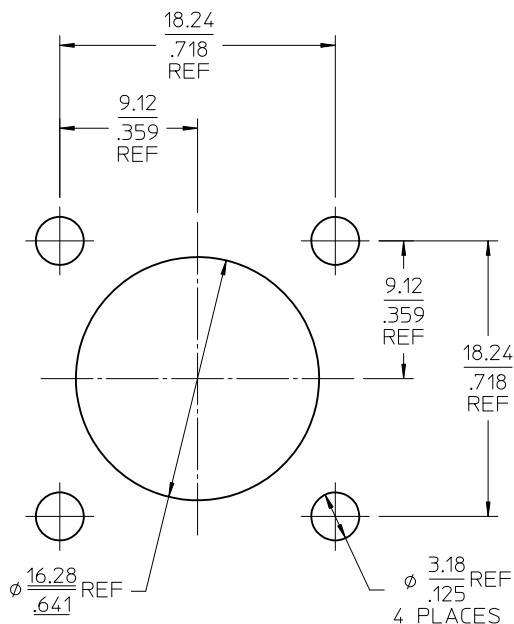


MATERIALS AND FINISHES

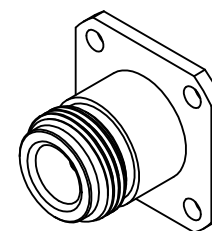
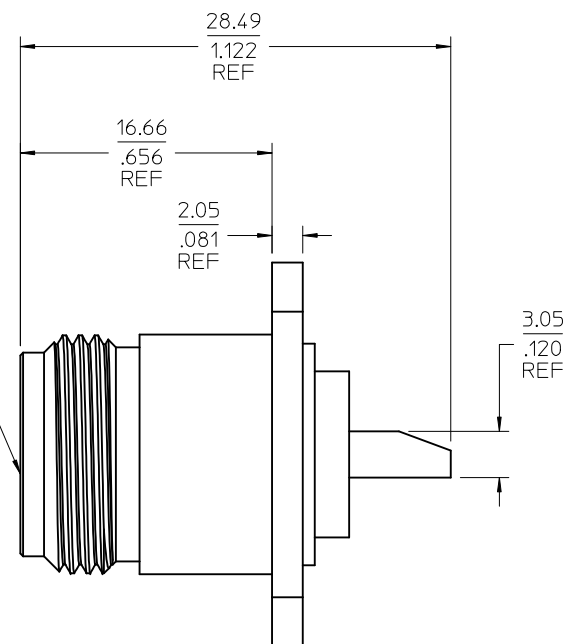
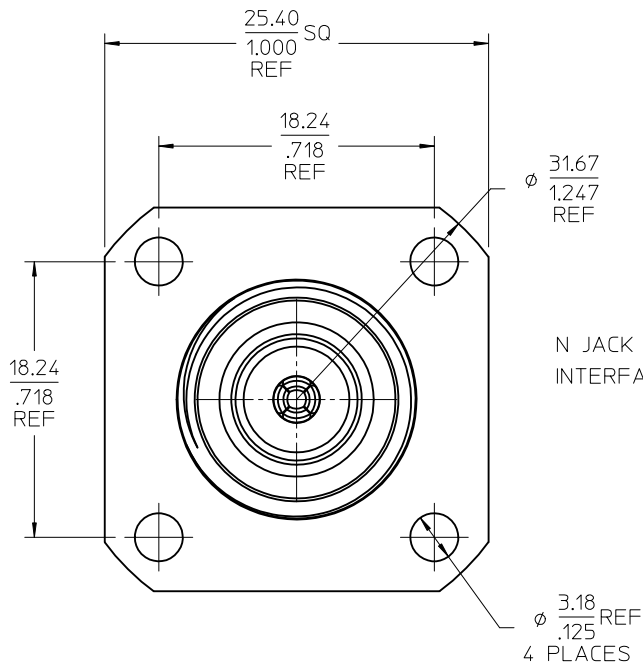
BODY BRASS
PLATED SILVER

CENTER CONTACT BERYLLIUM COPPER
PLATED SILVER

INSULATOR TEFLON



RECOMMENDED PANEL CUTOUT



PART # 73276-0420

MIL-STD-348A, FIG. 304.2	INTERFACE
SPECIFICATION	DESCRIPTION

CHG: PANEL CUTOUT EC NO: URF2011-0567 DRWN: JWIENER 2011/03/29 CHKD: SSS 2011/03/29 APPR: JWIENER 2011/03/31	QUALITY SYMBOLS ▽=0 ▽=0	GENERAL TOLERANCES (UNLESS SPECIFIED)		DIMENSION STYLE MM/IN	SCALE METRIC	THIRD ANGLE PROJECTION
		4 PLACES ± --- ± --- 3 PLACES ± --- ± --- 2 PLACES ± --- ± --- 1 PLACE ± --- ± ---	DRAWN BY DATE TEF 2001/05/18	CHECKED BY DATE SSS 2001/05/18	TITLE N JACK, SQUARE FLANGE 4 HOLE, 50 OHMS EWR-1355 N-J/FLG	
		ANGULAR ± 2 °		APPROVED BY DATE GMH 2001/05/18	MOLEX INCORPORATED	
		DRAFT WHERE APPLICABLE MUST REMAIN WITHIN DIMENSIONS		MATERIAL NO. 732760420	DOCUMENT NO. SD-73276-042	SHEET NO. 1 OF 1