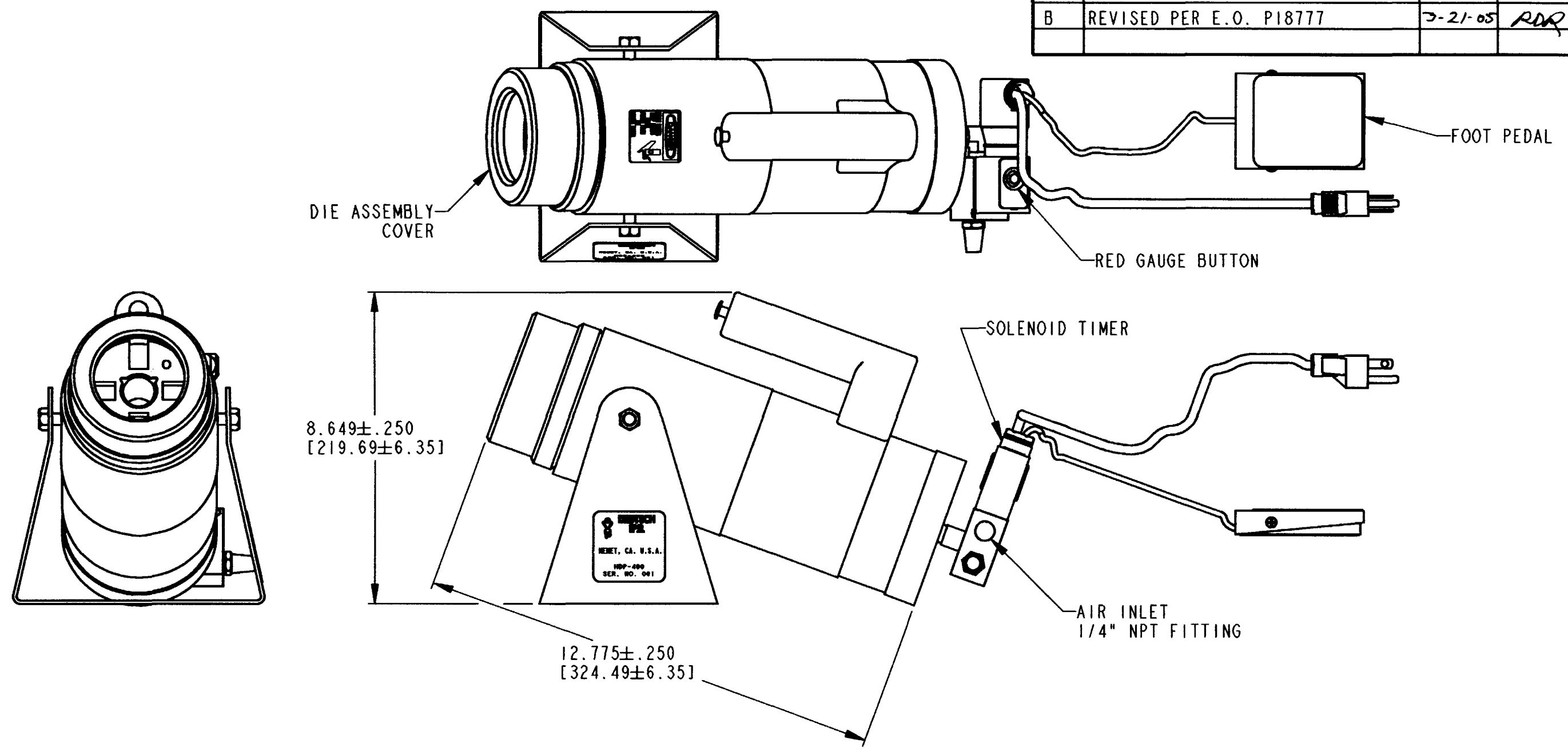


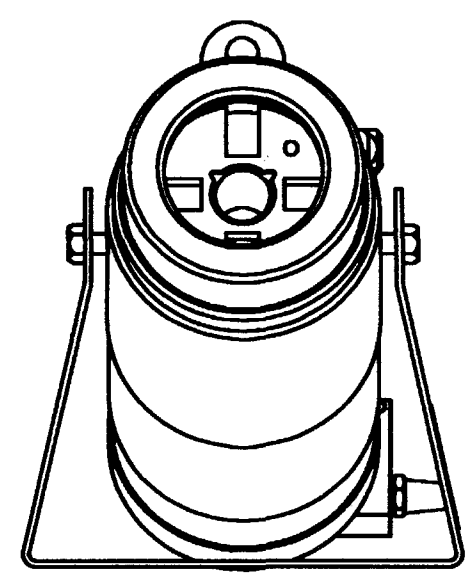
REV
B HDP-400

REVISIONS			
SYM	DESCRIPTION	DATE	APPROVED
NC	NEW RELEASE PER E.O. P16420	4/21/00	R.D.R.
A	REVISED PER E.O. P16777	7/24/00	R.D.R.
B	REVISED PER E.O. P18777	3-21-05	RDR



8.649±.250
[219.69±6.35]

12.775±.250
[324.49±6.35]



- 5. TOOL IS SHIPPED WITH INSTRUCTION MANUAL 0425-034-0000.
- 4. SEE 0425-205-0000 OR 4025-003-0000 FOR CRIMP INFORMATION.
- 3. THIS PNEUMATIC TOOL CRIMPS SOLID HD AND CE CONTACTS.
- 2. DIMENSIONAL TOLERANCE ±.250 [6.35]

NOTES: 1. DIMENSIONS ARE IN INCHES [mm].

SIGNATURE & DATE		POWER CRIMPER HDP-400	MATERIAL CODE		
DR	D. MEYER 11/22/99		CP		
CHK	R. Meunier 3/21/05	ENVELOPE	The Deutch Company DEUTSCH I.P.D. 3850 INDUSTRIAL AVE. HEMET, CALIF. 92545		
PE	S. Reed 3-18-05		B	HDP-400	
APPD	R. Reed 3-21-05			DWG SIZE	CODE 11139
SCALE	NONE	WT			