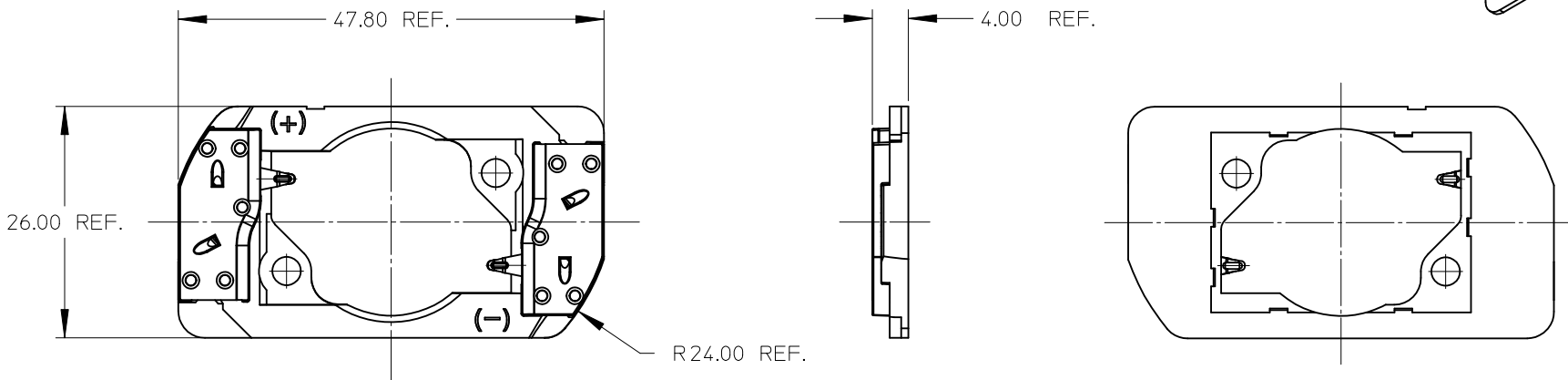
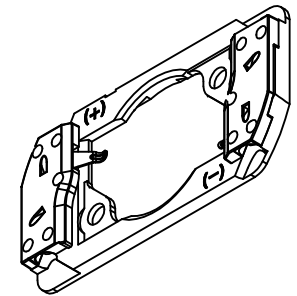


10	9	8	7	6	5	4	3	2	1
PART NUMBER		DESCRIPTION							
180260-0000		CITIZEN L-330 LED HOLDER							



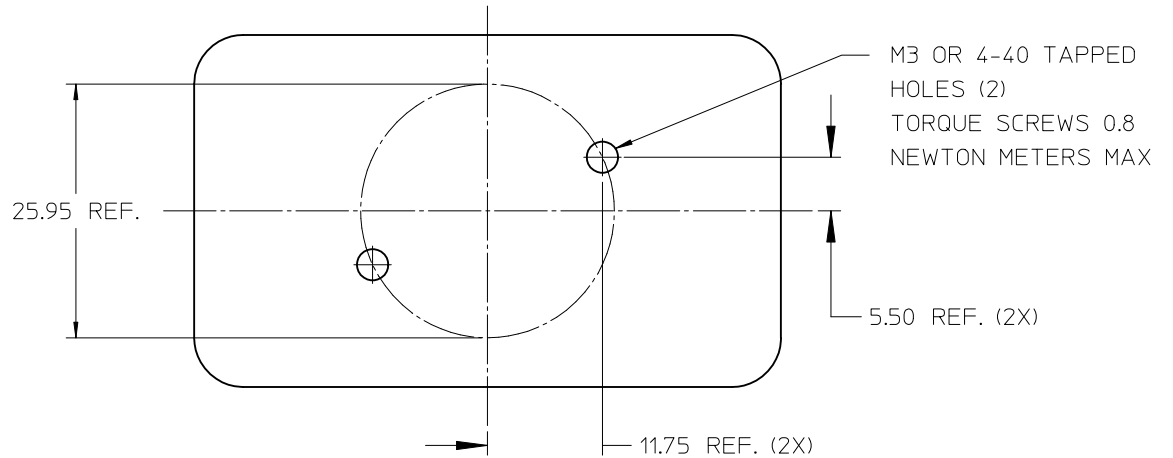
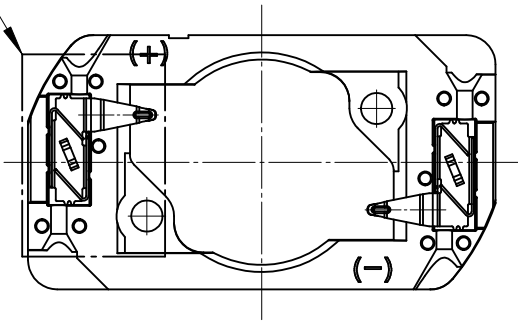
- NOTES:
- MATERIALS:
 - CAPS: NATURAL COLOR PA66 NYLON 25% GF UL94V-0
 - HOUSING: NATURAL COLOR PA66 NYLON 25% GF UL94V-0
 - WIRE TRAP TERMINALS: COPPER ALLOY
 - FINISH: GOLD OVER NICKEL
 - THIS PRODUCT IS ELV AND ROHS COMPLIANT
 - APPLICABLE WIRE GAUGE - 18 OR 20 AWG
 - SOLID WIRE IS RECOMMENDED
 - IF STRANDED WIRE IS USED, PRE-TINNED IS RECOMMENDED
 - 1 cm STRIP LENGTH IS RECOMMENDED
 - MOUNT HOLDER USING M3 OR 4-40 SCREWS (2), 0.8 NEWTON METERS MAX TORQUE
 - FOR CITIZEN L-330 LED HOLDER OUTER MOUNT VERSION REFER TO SALES DRAWING SD-180260-002
 - UL RECOGNIZED TO UL496
 - UL RECOGNIZED TO CSA-C22.2 NO. 43 (2008) RATED 600V
 - UL FILE NUMBER: E345583, UL-0LFB2

ENTER DESCRIPTION EC NO: SSL2012-0008 DRAWN BY: JAKLIC 2011/08/02 CHKD: APPR: DMCGOWAN 2011/08/05 REV B1	QUALITY SYMBOLS	GENERAL TOLERANCES (UNLESS SPECIFIED)		DIMENSION STYLE MM ONLY		SCALE 2:1	DESIGN UNITS METRIC	THIRD ANGLE PROJECTION	
	$\nabla=0$	mm	INCH	DRAWN BY FJAKLIC	DATE 2011/04/12	TITLE CITIZEN L-330 LED HOLDER			
	$\nabla=0$	4 PLACES ±---	±---	CHECKED BY	DATE				
	$\nabla=0$	3 PLACES ±---	±---	APPROVED BY DMCGOWAN		DATE 2011/05/03	MOLEX INCORPORATED		SHEET NO. 1 OF 2
$\nabla=0$	2 PLACES ±0.13	±---	MATERIAL NO. 1802600000		DOCUMENT NO. SD-180260-001				
DRAFT WHERE APPLICABLE MUST REMAIN WITHIN DIMENSIONS			ANGULAR ±1/2°		THIS DRAWING CONTAINS INFORMATION THAT IS PROPRIETARY TO MOLEX INCORPORATED AND SHOULD NOT BE USED WITHOUT WRITTEN PERMISSION				

10 9 8 7 6 5 4 3 2 1

WIRE TRAP CAPS ARE REMOVED FROM FRONT VIEW FOR CLARITY

SEE DETAIL 1

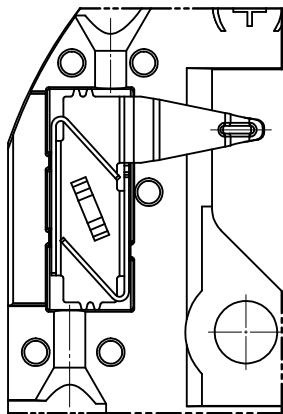


M3 OR 4-40 TAPPED HOLES (2)
TORQUE SCREWS 0.8 NEWTON METERS MAX

5.50 REF. (2X)

11.75 REF. (2X)

RECOMMENDED MOUNTING DIMENSIONS



VIEW OF TWO-WAY WIRE TRAP

WIRE TRAPS WILL ACCOMODATE EITHER 18 OR 20 GAUGE WIRE

DETAIL 1 SCALE 4:1

ENTER DESCRIPTION EC NO: SSL2012-0008 DRW: FJAKLIC 2011/08/02 CHKD: JAKLIC APPR: DMCGOWAN 2011/08/05 B1	QUALITY SYMBOLS ▽=0 ▽=0 ▽=0	GENERAL TOLERANCES (UNLESS SPECIFIED)		DIMENSION STYLE MM ONLY		SCALE 2:1	DESIGN UNITS METRIC	THIRD ANGLE PROJECTION			
		4 PLACES ± --- ± ---	mm INCH	DRAWN BY FJAKLIC	DATE 2011/04/12	CITIZEN L-330 LED HOLDER					
		3 PLACES ± --- ± ---		CHECKED BY	DATE						
		2 PLACES ± 0.13 ± ---		APPROVED BY DMCGOWAN		DATE 2011/05/03	Molex MOLEX INCORPORATED		SHEET NO. 2 OF 2		
1 PLACE ± 0.25 ± ---		MATERIAL NO. 1802600000		DOCUMENT NO. SD-180260-001		THIS DRAWING CONTAINS INFORMATION THAT IS PROPRIETARY TO MOLEX INCORPORATED AND SHOULD NOT BE USED WITHOUT WRITTEN PERMISSION					
DRAFT WHERE APPLICABLE MUST REMAIN WITHIN DIMENSIONS				SIZE B							

9 8 7 6 5 4 3 2 1