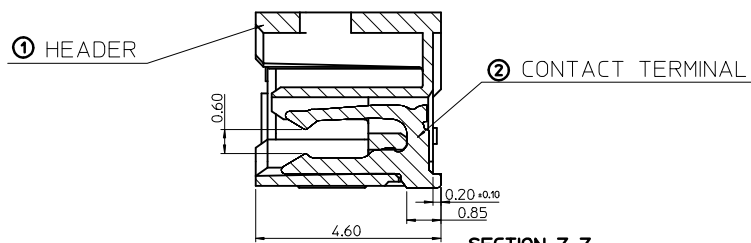
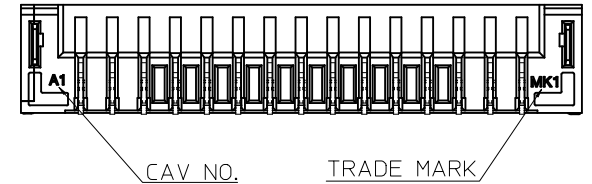
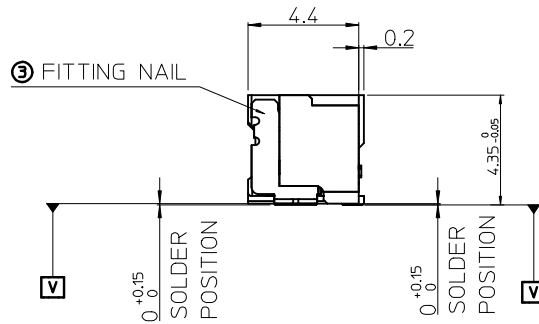
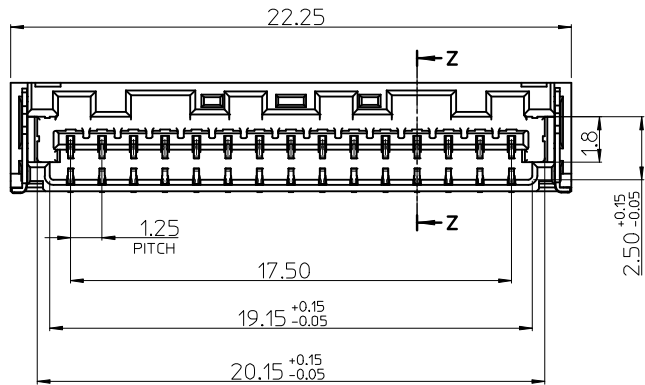
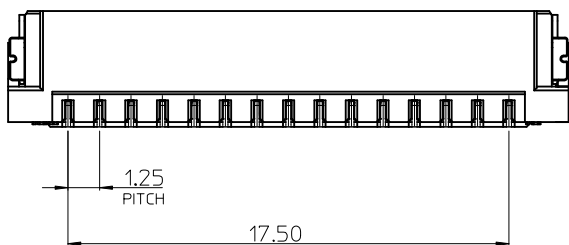


RECOMMEND PATTERN [REF.]
[PCB GENERAL TOLERANCE ±0.05]

1. MATERIALS
 - ① HEADER : LIQUID CRYSTAL POLYMER(LCP), GLASS FILLED, UL94V-0, COLOR: NATURAL (IVORY)
 - ② CONTACT TERMINAL : PHOSPHOR BRONZE
 - ③ FITTING NAIL : PHOSPHOR BRONZE
2. FINISHES
 - ② CONTACT TERMINAL : PURE TIN PLATING ON OVERALL THICKNESS : 3.0~5.0μm UNDER PLATING Ni OVERALL THICKNESS 1.25~3.75μm
 - ③ FITTING NAIL : PURE TIN PLATING ON OVERALL THICKNESS 3.0 ~ 5.0μm UNDER PLATING Ni OVERALL THICKNESS 1.25 ~ 3.75μm
3. PRODUCT SPECIFICATION : PS-104091-001
4. PACKAGING SPECIFICATION : PK-104091-001
5. MATED WITH : 104092-1500
6. COPLANARITY OF SOLDER TAILS (PEAK TEMP.:260°C 1 TIME) BEFORE & AFTER REFLOW : 0.08 MAX

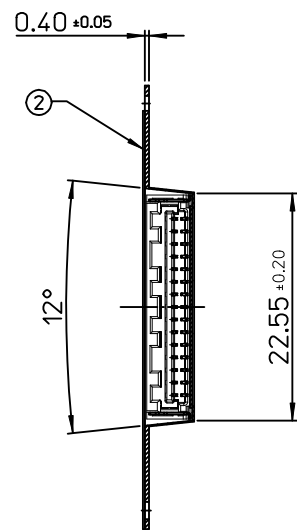
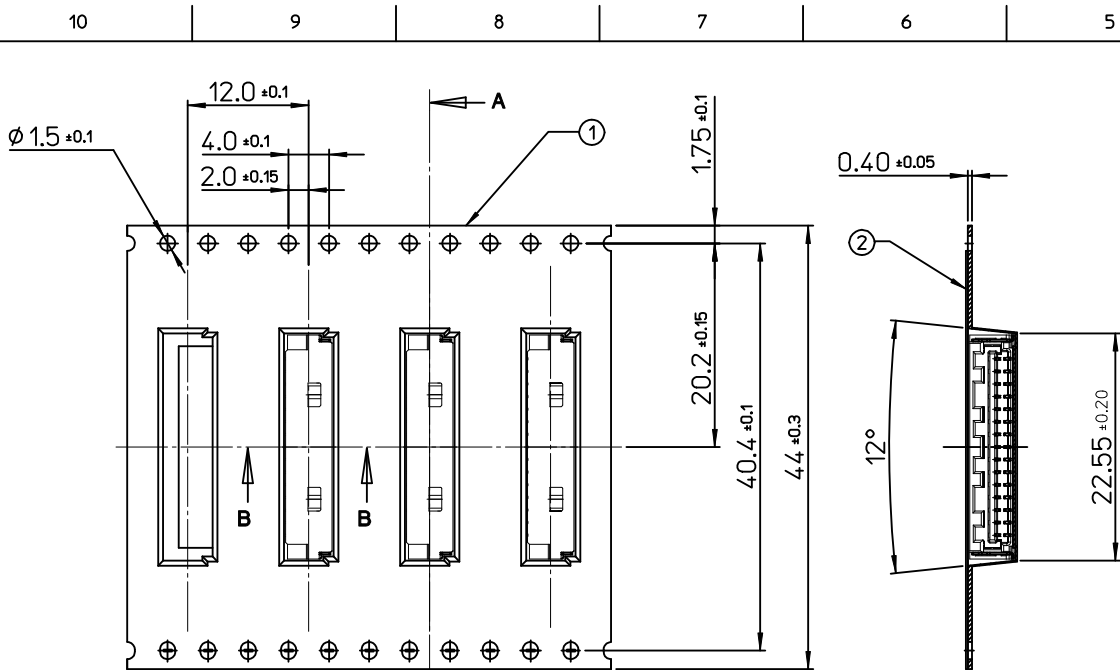


SECTION Z-Z
(Scale 8/1)

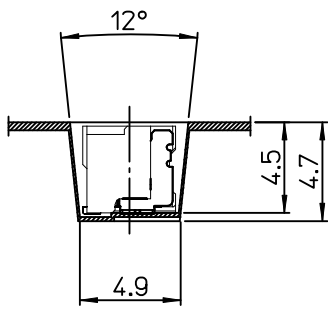


ORDER NO. 104091-1520

RELEASED EC NO: KOR2016-0022 DRWN: SCHONG03 2014/08/20 CHKD: SHCHU 2014/08/20 APPR: YSK1M02 2016/03/21	QUALITY SYMBOLS ▽=0 ▽=0	GENERAL TOLERANCES (UNLESS SPECIFIED)		DIMENSION STYLE MM ONLY		SCALE 5/1	DESIGN UNITS METRIC	THIRD ANGLE PROJECTION		
			mm	INCH	DRAWN BY	DATE	TITLE			
		4 PLACES	± ---	± ---	JHPARK	2011/10/10	1.25 WTB CONN. R/A -15P HEADER ASS'Y			
		3 PLACES	± ---	± ---	CHECKED BY	DATE				
2 PLACES	± 0.15	± ---	SHCHU	2011/10/10						
1 PLACE	± 0.20	± ---	APPROVED BY	DATE	MATERIAL NO.		DOCUMENT NO.		SHEET NO.	
0 PLACE	± ---	± ---	YSK1M02	2012/08/06	1040911520		SD-104091-010		1 OF 1	
DRAFT WHERE APPLICABLE MUST REMAIN WITHIN DIMENSIONS		ANGULAR ± 1 °		SIZE A3		THIS DRAWING CONTAINS INFORMATION THAT IS PROPRIETARY TO MOLEX INCORPORATED AND SHOULD NOT BE USED WITHOUT WRITTEN PERMISSION				

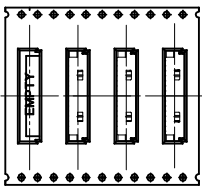


SECTION A-A

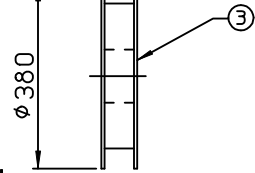
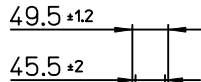


SECTION B-B

PULL OUT DIRECTION



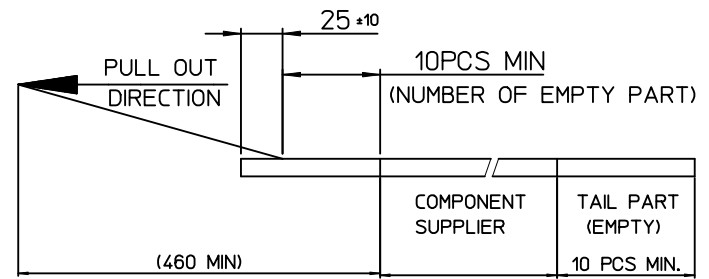
PULL OUT DIRECTION



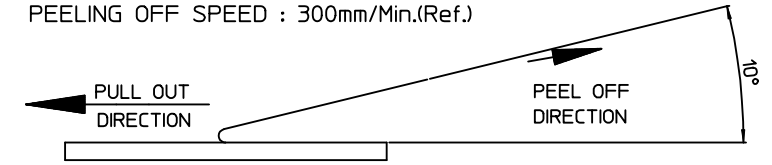
PLASTIC BOBBIN

NOTES.

1. QUANTITY OF CONNECTORS : 1,500 PCS/REEL
2. LEAD LENGTH



3. PEELING OFF FORCE OF COVER TAPE : 0.1N~0.59N(10.2GF~60GF)
(PEELING DIRECTION AS SHOW IN FOLLOW FIG.)
PEELING OFF SPEED : 300mm/Min.(Ref.)



4. FLASH IN ANY PORTION SHOULD BE LESS THAN 0.20mm MAX.
5. UNLESS OTHERWISE SPECIFIED INNER R 0.2MAX
6. DRAFT ANGLE 3° MAX

3	PLASTIC BOBBIN	HI P.S	WHITE
2	COVER TAPE	PET ANTISTATIC	37.5 mm
1	CARRIER (EMBOSSD) TAPE	PET ANTISTATIC	104091-9904
NO	DESCRIPTION	MATERIAL	REMARK

ORDER NO 104091-1520

RELEASED EC NO: KOR2012-0127 DRWN:SKCHO 2012/06/19 CHKD:SHCHU 2012/06/19 APPR:YSK1M02 2012/08/06	QUALITY SYMBOLS ▽=0 ◻=0	GENERAL TOLERANCES (UNLESS SPECIFIED)		DIMENSION STYLE MM ONLY	SCALE 1/1	DESIGN UNITS METRIC	THIRD ANGLE PROJECTION
		mm	INCH	DRAWN BY: JHPARK DATE: 2011/08/02	TITLE: 1.25 WTB CONN. R/A -15P HEADER ASS'Y EMBOSSD PACKAGE		
REV A	DESCRIPTION DRAFT WHERE APPLICABLE MUST REMAIN WITHIN DIMENSIONS	4 PLACES	± ---	± ---	CHECKED BY: SHCHU DATE: 2011/08/02	MOLEX INCORPORATED	
		3 PLACES	± ---	± ---	APPROVED BY: YSK1M02 DATE: 2012/08/06	MATERIAL NO. 1040911520	DOCUMENT NO. SD-104091-011
		2 PLACES	± 0.15	± ---	SHEET NO. 1 OF 1		
		1 PLACE	± 0.20	± ---	THIS DRAWING CONTAINS INFORMATION THAT IS PROPRIETARY TO MOLEX INCORPORATED AND SHOULD NOT BE USED WITHOUT WRITTEN PERMISSION		
		ANGULAR ± 5 °					