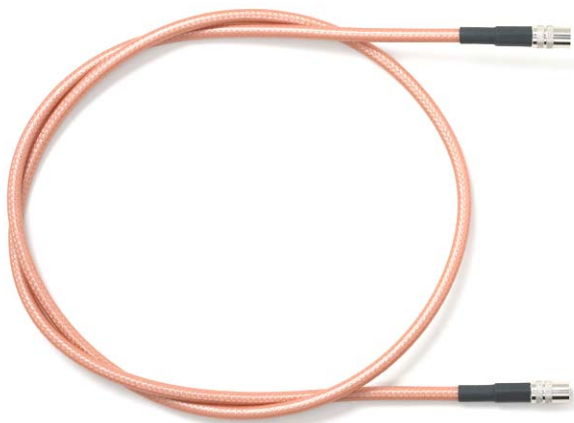
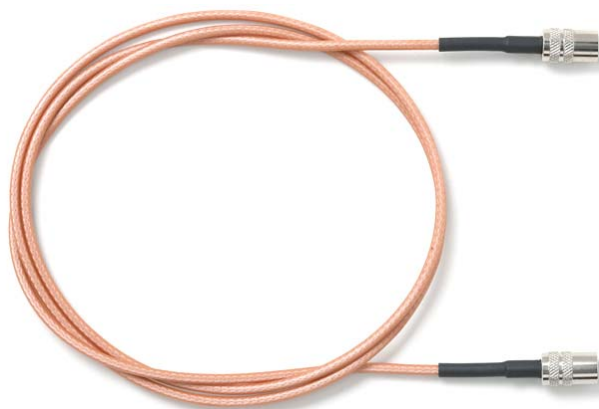


**Model 73083**

SMA Quick-Connect Plug to SMA Quick-Connect Plug, RG142B/U, RG316/U



*Model 73083-X*  
SMA Quick-Connect Plug to SMA Quick-Connect Plug,  
RG142B/U



*Model 73083-BB*  
SMA Quick-Connect Plug to SMA Quick-Connect Plug,  
RG316/U

Small size, and durability for confident connections

**Features**

- DC - 4GHz bandwidth.
- Precision machined connectors.
- Perfect for applications where space, weight, performance and ease of connections are required.

**Materials**

SMA Male Connectors:

- Center Contact: Brass, Gold Plated
- Connector Body: Brass, Nickel Plated
- Crimp Ferrule: Copper, Nickel Plated
- Insulators: PTFE

**Specifications**

Cable Type	RG142B/U	RG316/U
Impedance	50Ω	50Ω
Frequency Range	DC - 4GHz	DC - 4GHz
Capacitance per 1ft (0.305m)	29.0 pF	29.0 pF
Insulation Resistance	≥ 1000 MΩ	≥ 1000 MΩ
Insulator Withstand	750V	750V
Temperature Range	-65° C to +165°C (-85°F to +329°F)	-65° C to +165°C (-85°F to +329°F)
Jacket	FEP	FEP
Cable O.D. (inches)	0.195" (4.95mm)	0.098" (2.5mm)
Center Conductor (mm)	.95 solid silver coated copper covered steel	7 x .18 silver coated copper covered steel

USA: Sales: 800-490-2361  
 Technical Support: [technicalsupport@pomonatest.com](mailto:technicalsupport@pomonatest.com)  
 Fax: 425-446-5844

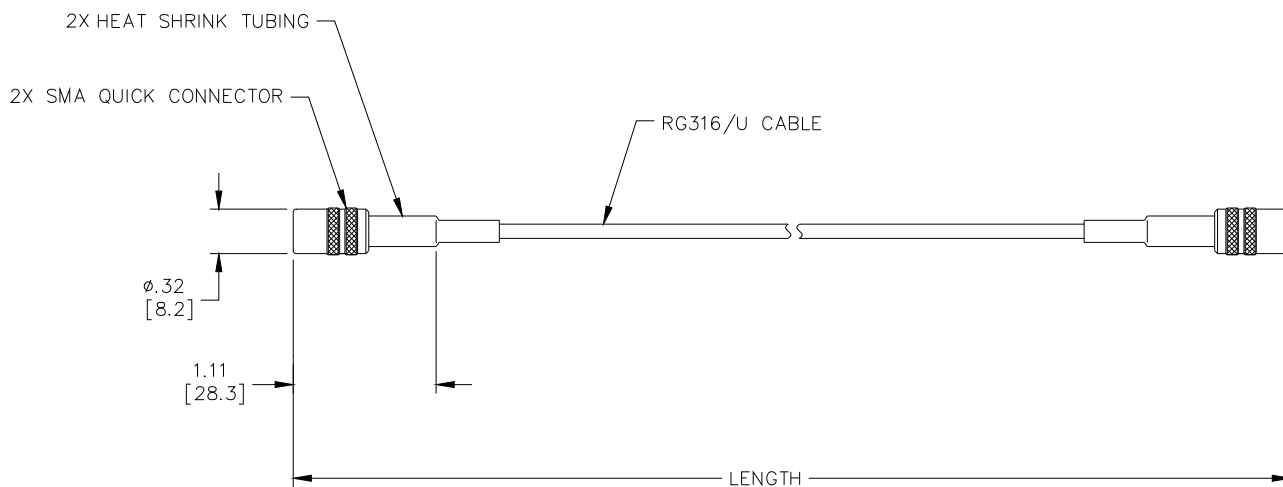
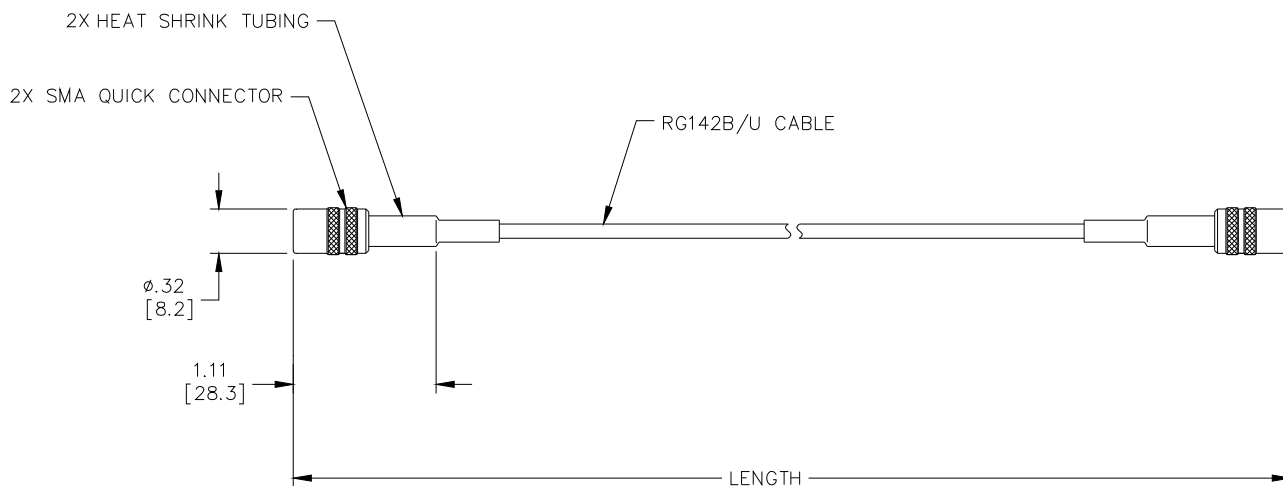
Europe: 31-(0) 40 2675 150 International: 425-446-5500

Where to Buy: [www.pomonaelectronics.com](http://www.pomonaelectronics.com)

All dimensions are in inches. Tolerances (except noted): .xx = ±.02" (.51 mm), .xxx = ± .005" (.127 mm). All specifications are to the latest revisions. Specifications are subject to change without notice. Registered trademarks are the property of their respective companies.

**Model 73083**

SMA Quick-Connect Plug to SMA Quick-Connect Plug, RG142B/U, RG316/U



**Ordering Information**

Model: **73083**

Cable Designators: **X** = RG142B/U, **BB** = RG316/U

Standard Lengths: **12", 24", 36", 48", 60"**

- 12" ± .157" (305mm ± 4mm)
- 24" ± .275" (610mm ± 7mm)
- 36" ± .394" (914mm ± 10mm)
- 48" ± .512" (1219mm ± 13mm)
- 60" ± .630" (1524mm ± 16mm)

Ordering Example: **73083-X-48**, Cable is RG142B/U with length of 48" (1219mm)

**USA:** Sales: 800-490-2361  
 Technical Support: [technicalsupport@pomonatest.com](mailto:technicalsupport@pomonatest.com)  
 Fax: 425-446-5844

**Europe:** 31-(0) 40 2675 150 **International:** 425-446-5500

**Where to Buy:** [www.pomonaelectronics.com](http://www.pomonaelectronics.com)

All dimensions are in inches. Tolerances (except noted): .xx = ±.02" (.51 mm), .xxx = ±.005" (.127 mm). All specifications are to the latest revisions. Specifications are subject to change without notice. Registered trademarks are the property of their respective companies.