

**SAC-3P-M12Y/2XM12FS PE**

Order No.: 1683455

<http://eshop.phoenixcontact.de/phoenix/treeViewClick.do?UID=1683455>Y-distributor, 3-pos. +PE, straight connector M12 on 2 x straight  
socket M12**Commercial data**

EAN	4017918166922
Pack	5 pcs.
Customs tariff	85366990
Weight/Piece	0.02828 KG
Catalog page information	Page 104 (PC-2009)

**Product notes**WEEE/RoHS-compliant since:  
02/13/2006

<http://www.download.phoenixcontact.com>  
Please note that the data given here has been taken from the online catalog. For comprehensive information and data, please refer to the user documentation. The General Terms and Conditions of Use apply to Internet downloads.

**Technical data****General data**

Nominal current $I_N$	4 A
Nominal voltage $U_N$	60 V
Number of positions	3
Volume resistance	$\leq 5 \text{ m}\Omega$
Insulation resistance	$\geq 100 \text{ M}\Omega$

Ambient temperature (operation)	-25 °C ... 90 °C
<b>General characteristics</b>	
Coding	A - standard
Surge voltage category	II
Pollution degree	3
Degree of protection	IP65/IP68/IP69K
Contact material	CuZn
Contact surface material	Ni/Au
Contact carrier material	TPU GF
Material of grip body	TPU, hardly inflammable, self-extinguishing
Material, knurls	Zinc die-cast, (nickel-plated)
Sealing material	NBR
Status display	No

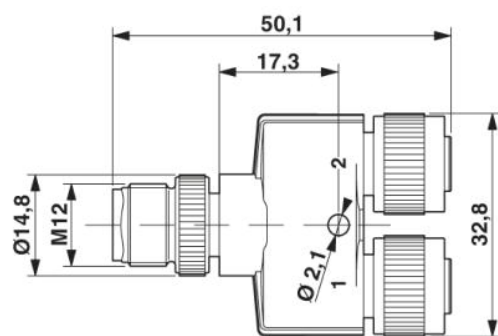
**Certificates / Approvals**



Certification CUL Listed, GOST, UL Listed

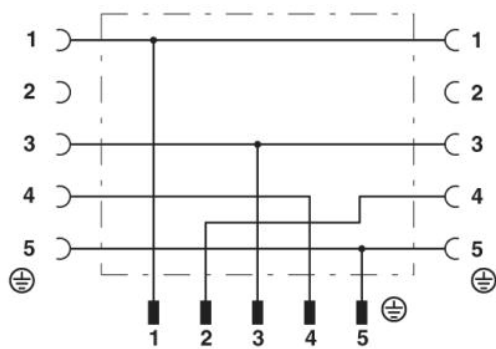
**Diagrams/Drawings**

Dimensioned drawing



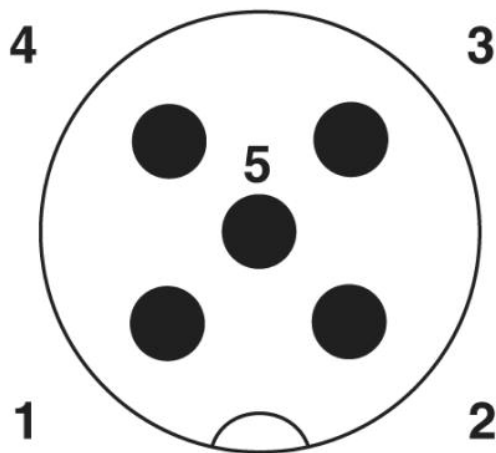
Plug M12 x 1, Y distributor

Circuit diagram

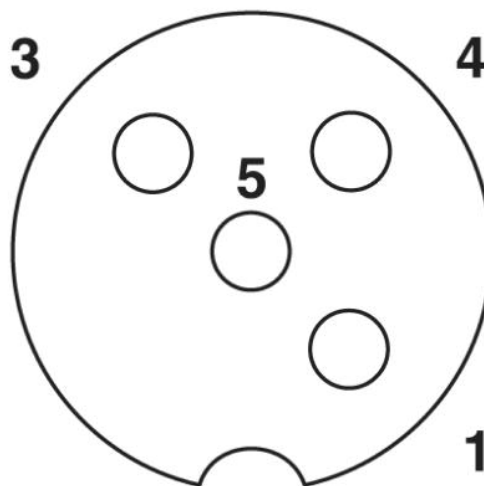


Contact assignment of the M12 Y-distributor

Schematic diagram



Pin assignment M12 male connector, 5-pos., A-coded, male side



Pin assignment socket M 12, 3-pos. + PE

**Address**

PHOENIX CONTACT Inc., USA  
586 Fulling Mill Road  
Middletown, PA 17057, USA  
Phone (800) 888-7388  
Fax (717) 944-1625  
<http://www.phoenixcon.com>



© 2010 Phoenix Contact  
Technical modifications reserved;