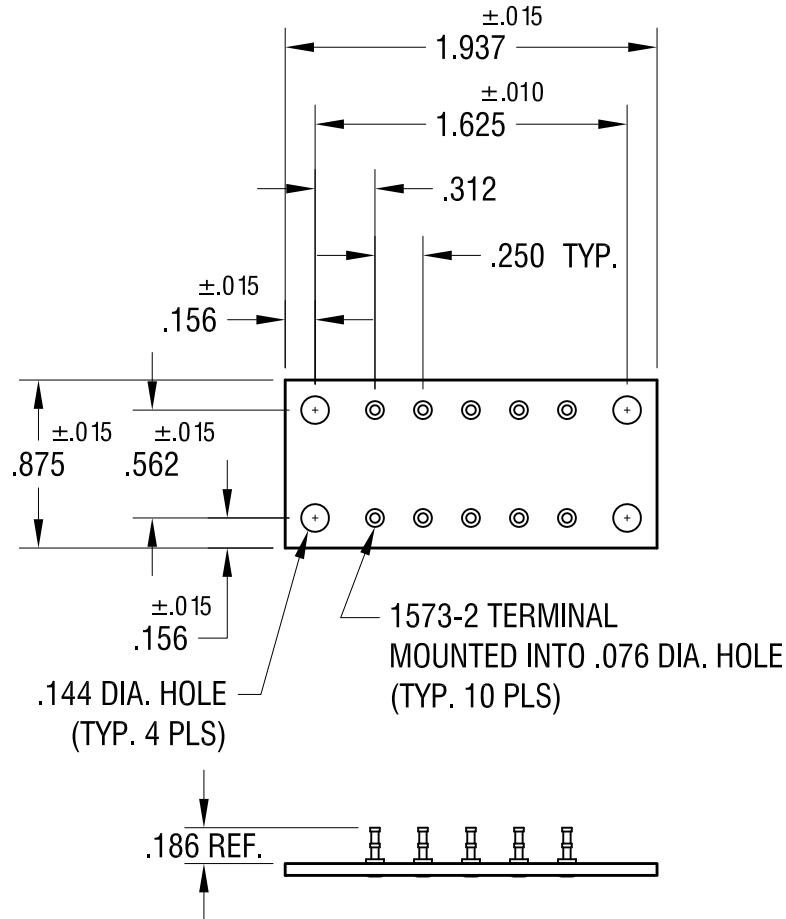


THIS DOCUMENT IS THE PROPERTY OF  
KEYSTONE ELECTRONICS CORP. AND  
SHALL NOT BE REPRODUCED, DISTRIBUTED  
OR USED AS A BASIS FOR MANUFACTURE  
WITHOUT PRIOR WRITTEN PERMISSION  
FROM KEYSTONE ELECTRONICS CORP.



### KEYSTONE ELECTRONICS CORP.

www.keyelco.com • ASTORIA, N.Y. 11105-2017 • Tel (718) 956-8900

PART NAME

MINIATURE TURRET TERMINAL BOARD

MATERIAL

.062 TH'K G-10 GLASS EPOXY

FINISH

AS NOTED

DRN BY

BOONE

DATE

6.4.96

APP'D

LN

SCALE

1X

11.17.04 CHANGE AS PER ECN 04-146

A

TOLERANCES

INCH [MM]

CODE

DWG NO.

DECIMAL  $\pm .005$  [  $\pm$  ]

C

ANGULAR  $\pm 1^\circ$   
UNLESS OTHERWISE SPECIFIED

15536

DATE

DESCRIPTION

REV.