

CATALOG LISTING
YZ-2RQW-A2
PAGE 1 OF 1
M
ISSUE
12

REPLACES

RELEASE NO. PR-16075

CHECK

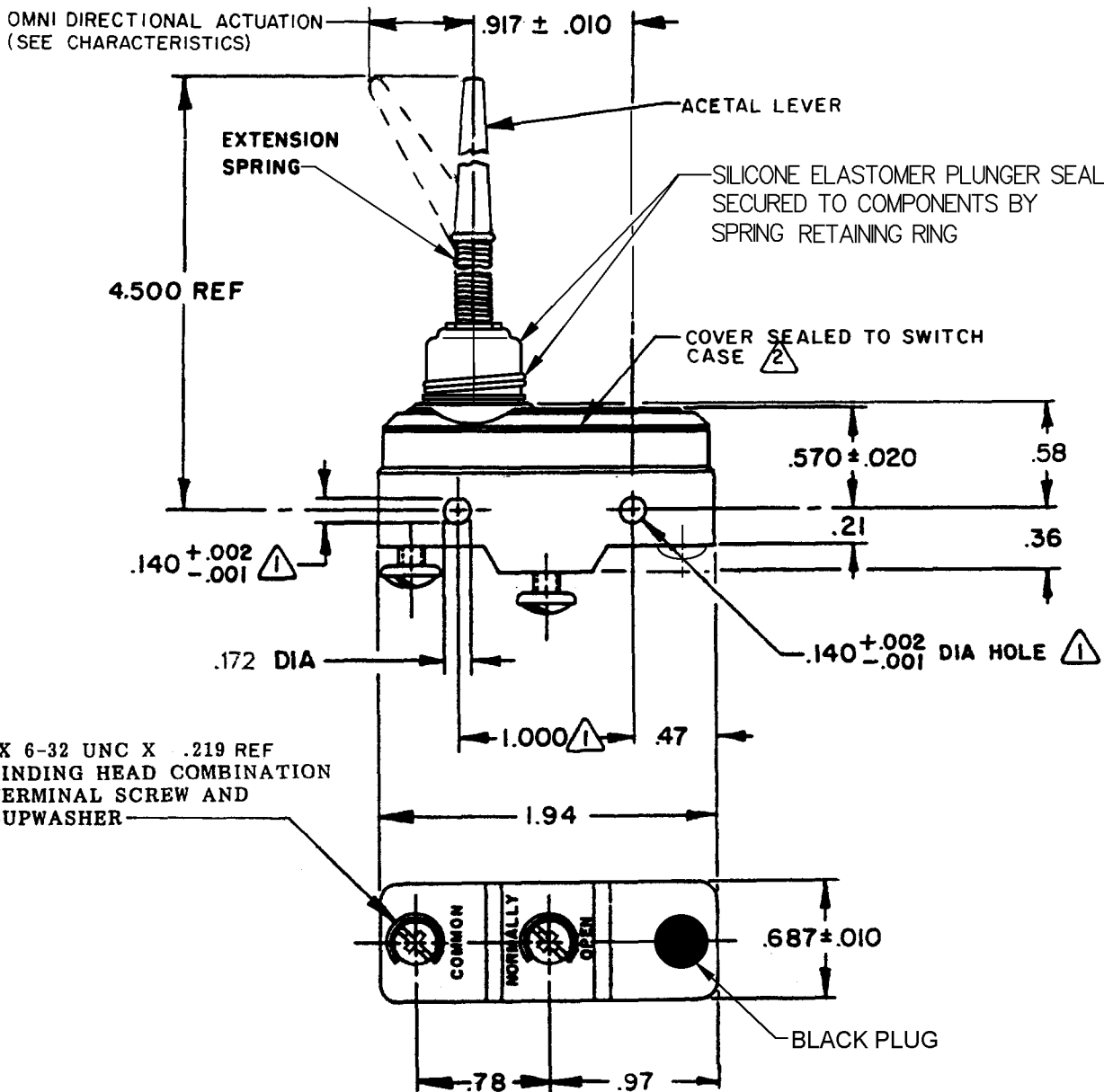
REVISIONS

A	C083108	G J W	24 JUN 96	09JAN06
B	C093346	DLT	22 SEP 98	
C	C093552	TSM	20 JAN 99	RJ
D	202189	CSL	18 JAN 01	CHECK
E	0000713	JAH	30 JUN 03	27 JUN 96
F	0017586	TSG	09JAN06	

WJC

CHECK

24 JUN 96
G J W
DRAWN



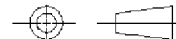
2X 6-32 UNC X .219 REF
BINDING HEAD COMBINATION
TERMINAL SCREW AND
CUPWASHER



NOTE
1 MOUNTING HOLES WILL ACCEPT PINS OR SCREWS
OF .139 MAX DIA ON 1.000 ± .002 CENTERS
2 SEALED CONSTRUCTION PROVIDES SPLASH RESISTANCE

THIS DRAWING COVERS A PROPRIETARY ITEM AND IS THE PROPERTY OF MICRO SWITCH, A DIVISION OF HONEYWELL. THIS DRAWING IS NOT TO BE COPIED OR USED WITHOUT THE APPROVAL OF MICRO SWITCH.

THIRD ANGLE PROJECTION



CHARACTERISTICS	ELECTRICAL DATA	SCALE	FULL	DO NOT SCALE PRINT
		UNLESS OTHERWISE SPECIFIED TOLERANCES ARE		
PRETRAVEL ----- .500 MAX (OMNI DIRECTIONAL)	L96 15A 125, 250 OR 480 VAC 1/8 HP 125 VAC, 1/4 HP 250 VAC 1/2A 125 VDC, 1/4A 250 VDC L288 L306 L315	ONE PLACE	(.0)	±.030
		TWO PLACE	(.00)	±.015
		THREE PLACE	(.000)	±.005
		ANGLES		±
		WEIGHT		



16A 250V ~ T85 5E4