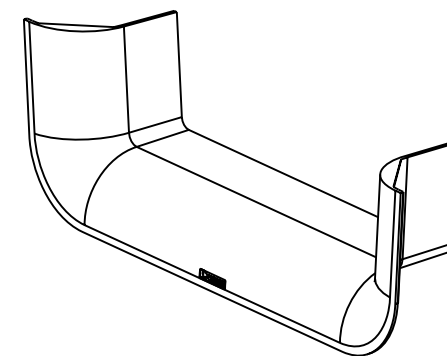
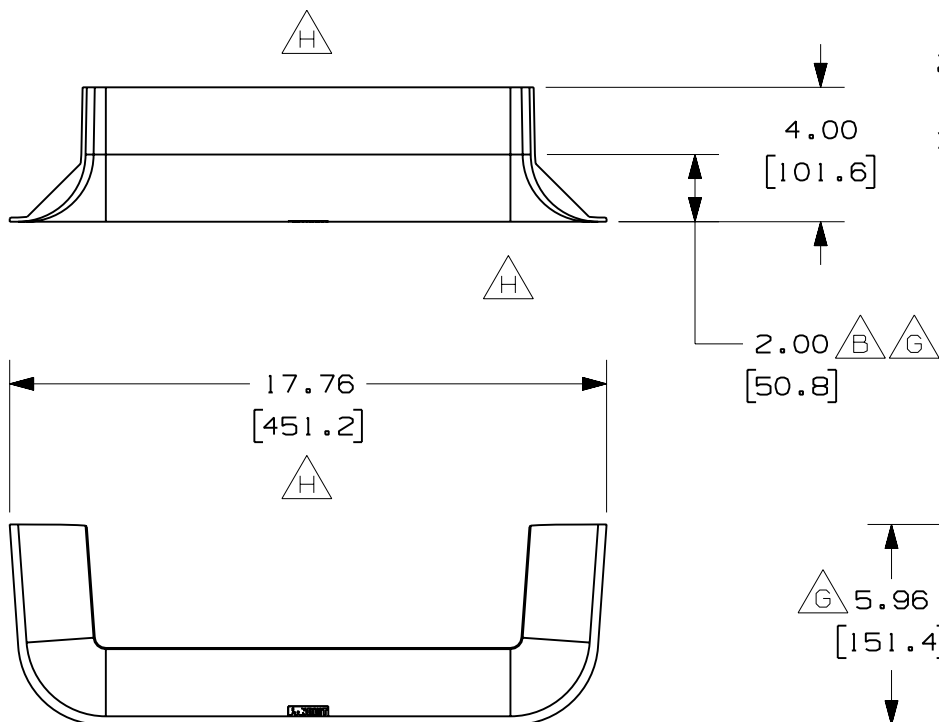


PANDUIT PART NUMBER	WEIGHT
FRTR12X4	0.63 LB/EACH (284g/EACH)

△ E NOTES:

1. SEE CURRENT CATALOG FOR ADDITIONAL PART SUFFIXES TO INDICATE COLOR AND/OR PACKAGE QUANTITY.
2. THE FIBERRUNNER 12x4 3-SIDED BEND RADIUS CONTROL TRUMPET IS DESIGNED WITH A MINIMUM 2" (50.8) BEND RADIUS TO PROTECT FIBER OPTIC CABLES.
3. DIMENSIONS IN PARENTHESES ARE IN METRIC.



ENG. REF.: D37617BP_DC_FRTR12X4_01.prt **△ A**

CAD FILENAME/LAYERS **△ D** FRTR12X4.pdf

PANDUIT CORP TINLEY PARK, ILLINOIS
FIBERRUNNER 12x4 3-SIDED BEND RADIUS CONTROL TRUMPET (FRTR12X4)
△ C CUSTOMER DRAWING

UNLESS OTHERWISE SPECIFIED, DIMENSIONAL TOLERANCES ARE:
 (.X) ± (.XXX) ±
 (.XX) ± .03 (.8) ANGLES ±

UNLESS OTHERWISE SPECIFIED, ALL DIMENSIONS ARE GIVEN IN INCHES, THIRD ANGLE PROJECTION.

REV	DATE	BY	CHK	DESCRIPTION	ECN	R	CUST	SUP	GMBH
-	-----	---	---	H. REMOVED DIMENSIONS G. RELOCATED DIMENSIONS	-----	--	--		
-	-----	---	---	F. REVISED PART WEIGHT E. REVISED GENERAL NOTES	-----	--	--		
3	7-17-06	DTP	RN	D. REVISED CAD FILENAME C. REVISED DRAWING TITLE	37617-87	RN	RN		
2	8-13-01	MSO	RPA	B. ADDED DIMENSION	37617-87	HIW	HIW		
1	6-20-01	JHNU	HIW	A. REVISED FILENAME: CONVERTED TO PDF FILE	37617-87	HIW	HIW		
R	1-19-01	JHNU	RPA	RELEASED TO PRODUCTION	37617-87	HIW	HIW		

DRAWN BY JHNU	MAT'L: ABS	SCALE NONE
DATE 1-19-01		DRAWING NO. 37617-87
CHK'D RPA		DWG A SIZE