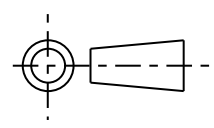


ISS.	DATE	E.C.N.	DESCRIPTION
1	26-Apr-07		FIRST ISSUE

© 2007 CARCLO  
ALL DIMENSIONS IN mm



CARCLO TECHNICAL PLASTICS (SLOUGH)  
111 BUCKINGHAM AVE, SLOUGH  
SL1 4PF, ENGLAND  
TEL: +44 1753 575011 FAX: +44 1753 811359  
e-mail: design@carclo-optics.com}

CUSTOMER DRAWING

GENERAL TOLERANCES (UNLESS STATED)

LINEAR	ANGULAR
X +/- 0.25	X +/- 1°
X.X +/- 0.1	X.X +/- 0.5°
X.XX +/- 0.05	X.XX +/- 0.1°

CUSTOMER

CARCLO

TITLE

0.8MM OFFSET FOCUS SOFT  
WIDE BEAM FROSTED OPTIC

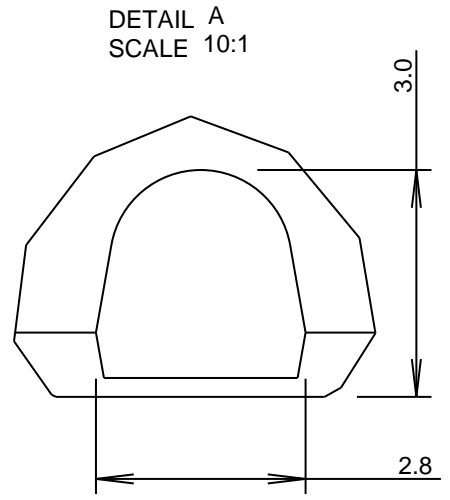
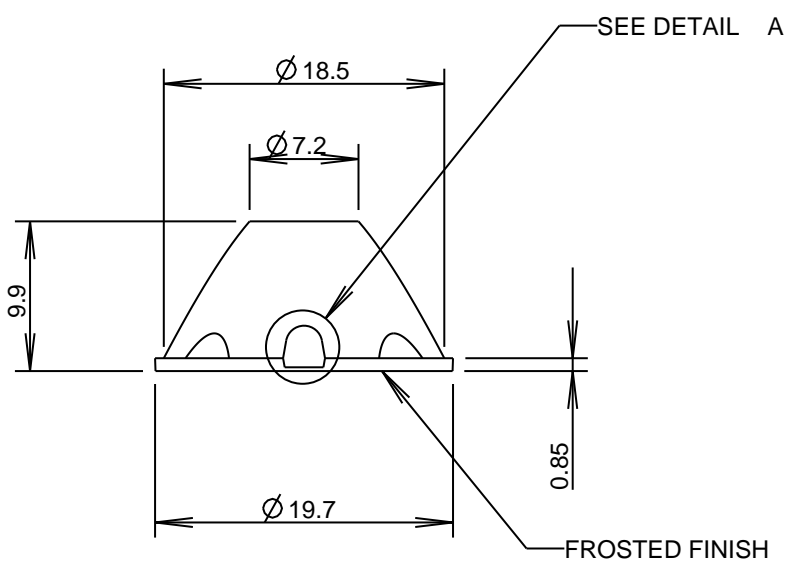
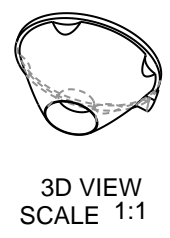
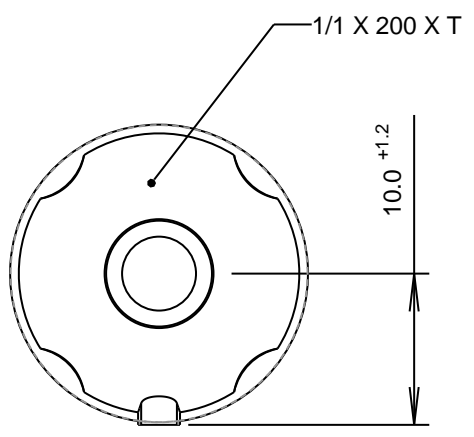
DRAWN **AJD** DATE **26-Apr-07**

CHK'D DATE

APP'D DATE

SCALE **2:1** CARCLO PART No. **10196**

SIZE **A4** CARCLO DRG. No. **60461** SHEET **1 OF 1**



- NOTES:  
1. MATERIAL - UV STABILISED POLYCARBONATE  
2. INCLUSIONS SPECIFIED TO BS4301