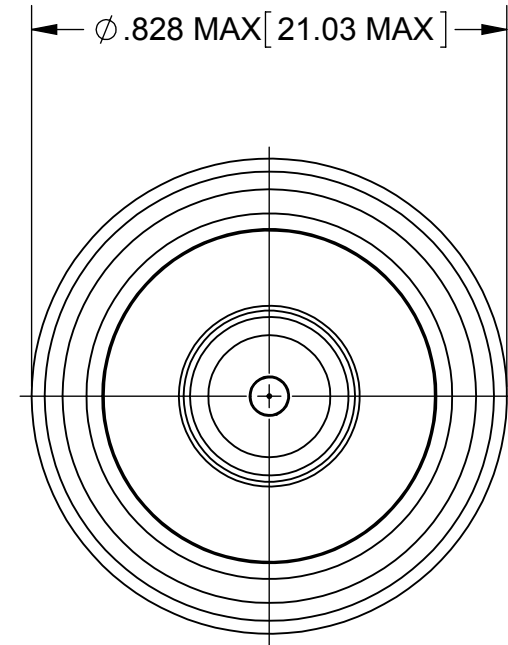
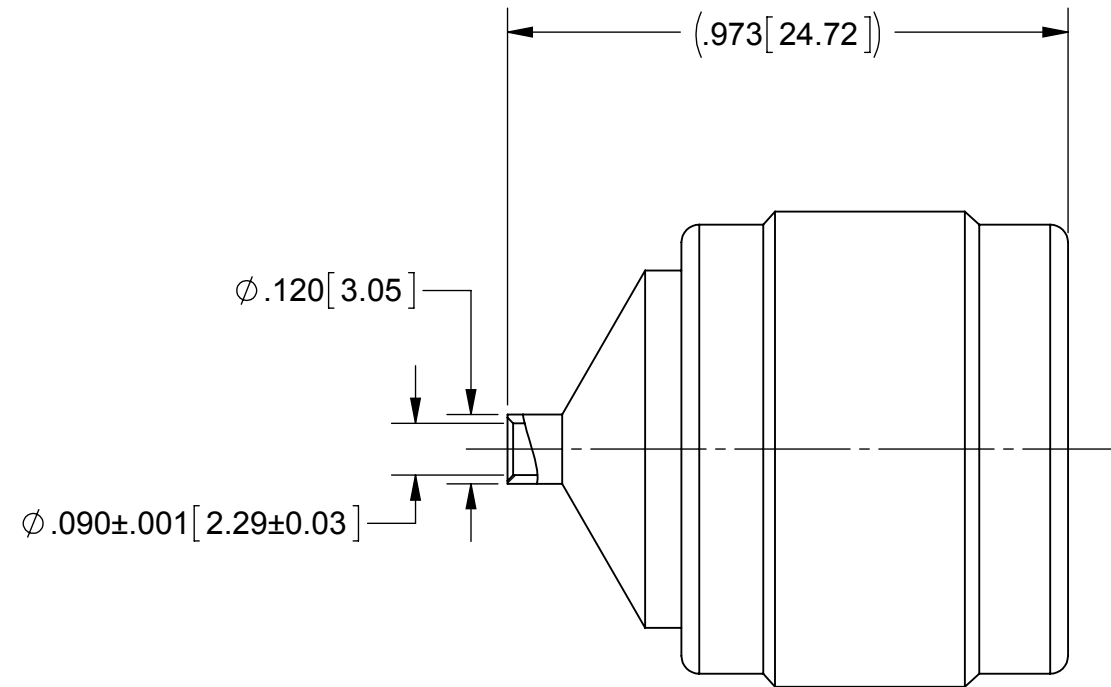


# PRODUCT DATA DRAWING

REVISION HISTORY			
REV	DESCRIPTION	DATE	APPROVED
-	DCN 41023	01/15	STW



**MATERIAL:**

BODY & COUPLING NUT:

STAINLESS STEEL PER AMS-5640, ALLOY UNS S30300, TYPE 1

CONTACT:

BRASS PER ASTM B16, ALLOY UNS No. C36000

LOCK RING:

PHOSPHOR BRONZE PER ASTM-B-159, ALLOY 5100, TEMPER H08

INSULATOR:

PTFE PER ASTM D1710, TYPE I, GRADE 1, CLASS B

GASKET:

SILICONE RUBBER PER A-A-59588, CLASS 2B, GRADE 50/60

**FINISH:**

BODY & CONTACT:

GOLD PER ASTM B 488, TYPE II, CODE C, CLASS .76, OVER NICKEL PER AMS-QQ-N-290, CLASS 1, .00005" MIN.

COUPLING NUT:

PASSIVATED PER AMS-2700

**PERFORMANCE:**

IMPEDANCE:

50 OHMS

MATERIAL: SEE NOTES	DIMENSIONS ARE IN INCHES TOLERANCES: FRACTIONAL: ±1/64 ANGULAR: X° ±1'0" X°X' ±15'	UNLESS OTHERWISE SPECIFIED 1) ALL DIMENSIONS ARE IN INCHES (MILLIMETERS) 2) ALL DIMENSIONS ARE AFTER PLATING. 3) BREAK CORNERS & EDGES .005 R. MAX. 4) CHAM. 1ST & LAST THREADS. 5) SURFACE ROUGHNESS 63-MIL-STD-10. 6) DIA: 'S ON COMMON CENTERS TO BE CONCENTRIC WITHIN .005 T.I.R. 7) REMOVE ALL BURRS	<b>SV Microwave, Inc.</b> 2400 Centrepark West Drive, Suite 100 West Palm Beach, FL 33409
FINISH: SEE NOTES	DECIMAL: X ±.030 .XX ±.010 .XXX ±.005	INTERPRET DIMENSIONS AND TOLERANCES PER ASME Y14.5M - 1994	TITLE: <b>PN PLUG FOR RG405 CABLE</b>
SURFACE AREA: N/A	THIRD ANGLE PROJECTION	DRAWN: MAL 01/07/15	SIZE: B CAGE CODE: 95077 DWG. NO. SF6511-60010
PROPRIETARY THE INFORMATION CONTAINED IN THIS DRAWING IS THE SOLE PROPERTY OF SV MICROWAVE, INC. ANY REPRODUCTION IN PART OR AS A WHOLE WITHOUT THE WRITTEN PERMISSION OF SV MICROWAVE, INC IS PROHIBITED.		CHECKED: STW 01/07/15	SCALE: 3:1
		APPROVED: STW 01/07/15	SHEET 1 OF 1