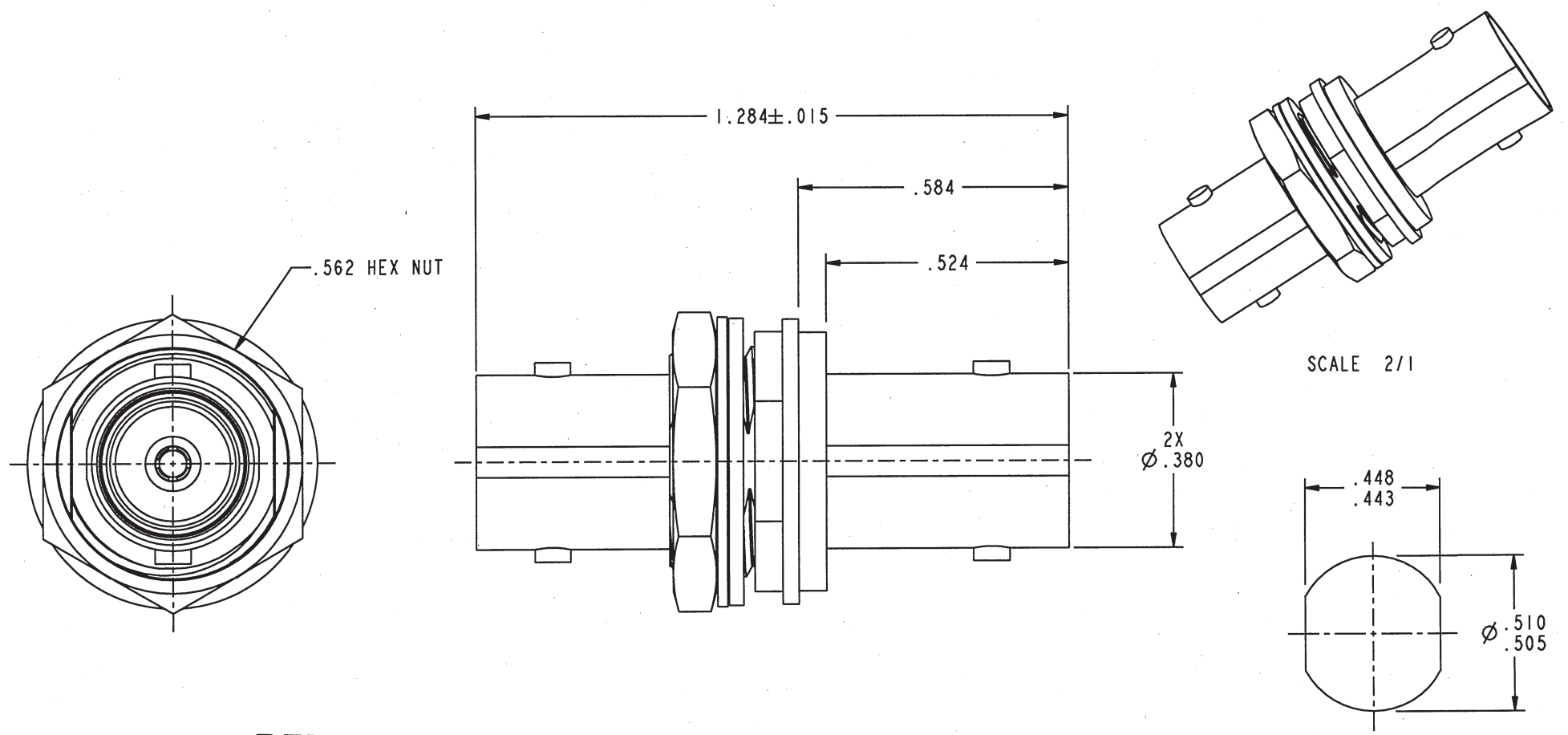


DATA CONTAINED IN THIS DOCUMENT IS PROPRIETARY TO EMERSON CONNECTIVITY SOLUTIONS AND SHALL NOT BE DISCLOSED, COPIED OR USED FOR PROCUREMENT OR MANUFACTURE WITHOUT EXPRESS WRITTEN PERMISSION


REVISIONS			
REV	DESCRIPTIONS	DATE	APPROVED
E	REVISED PER ECO 16587	9/22/09	EM



RED INDICATES ORIGINAL

- 3) SOCKET CONTACT COAXIAL BNC TYPE INSULATED FEED THRU BULKHEAD JACK 75 Ω VERSION
- 2. MAXIMUM PANEL THICKNESS: .100
- 1. FINISH: BODY, TFS-1Y, NICKEL CONTACT, TFS-1B (5G), GOLD

NOTES: UNLESS OTHERWISE SPECIFIED.

INTERPRET DRAWING PER MIL-STD-100. DIMENSIONS ARE IN INCHES AND INCLUDE FINISH THICKNESS UNLESS OTHERWISE SPECIFIED.		TOL: UNLESS SPECIFIED. .XX ± .02 .XXX ± .010 ANGLE ± 1°		 Cinch Connectivity Solutions 299 Johnson Ave. Ste. 100 Waseca, MN 56093 1-800-247-8256	
DWN M JOHNSON CHK EM QUALITY	9-16-09 9/16/09	MATERIAL:		TITLE: UBJ241	
MANUF		FINISH:		SIZE A 14949	CAGE CODE 1-0587
APPROVED EM PROJ/ FILE NO. 1-0587		DO NOT SCALE DWG		DRAWING NO. 1-0587	REV. E
NEXT ASSY		SCALE 3/1		DATE 4-9-01	SHEET IC