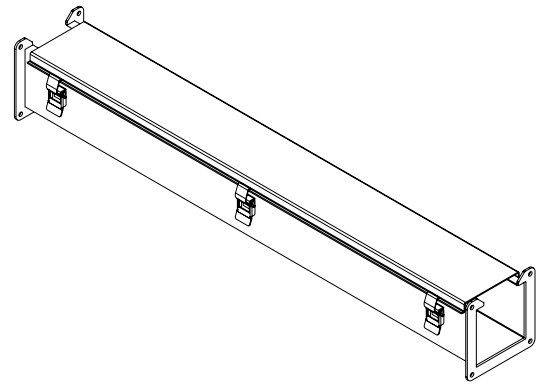


PART No. 1485C36

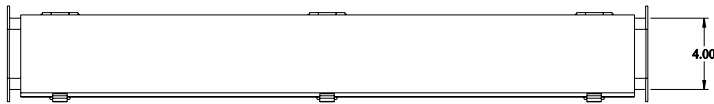
for more information visit
www.hammfg.com

Data subject to change without notice

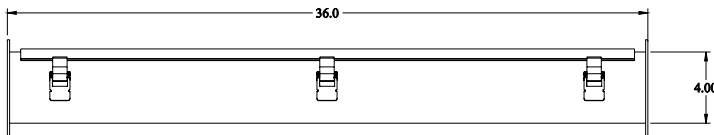
Isometric drawing Not to Scale



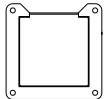
ISOMETRIC VIEW



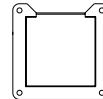
TOP VIEW



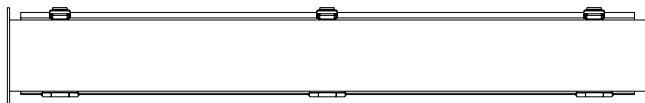
FRONT VIEW



SIDE VIEW



SIDE VIEW



BOTTOM VIEW