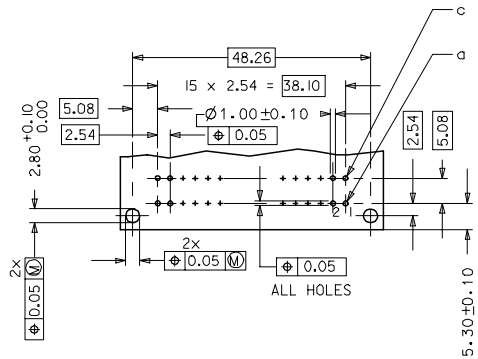
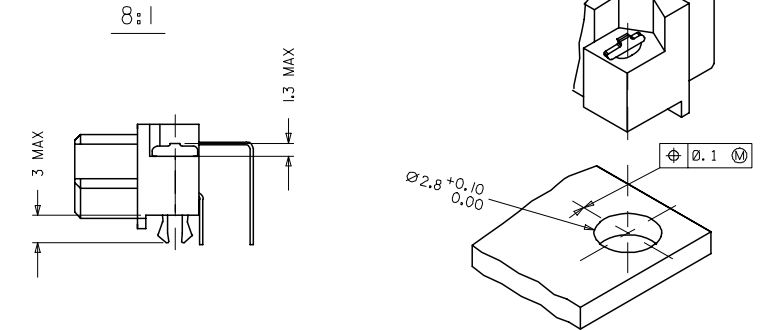


RECOMMENDED PCB LAYOUT  
COMPONENT SIDE



WITH MOUNTING CLIPS



NOTES:

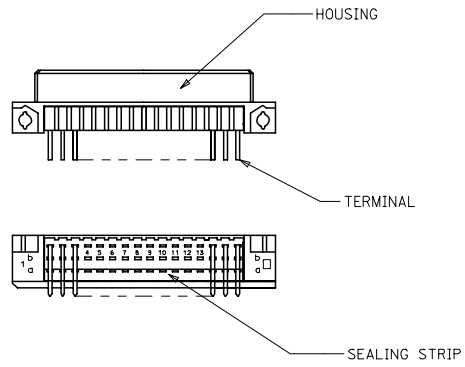
- 1) MATERIALS: THERMOPLASTIC POLYESTER, GLASS FILLED, UL94V-0. COLOUR: PEBBLE GREY RAL 7032  
TERMINAL - PHOSPHOR BRONZE  
MOUNTING CLIP: STEEL
- 2) FINISH: TERMINAL:-  
CONTACT AREA  
1. PERFORMANCE LEVEL 1: SELECTIVE GOLD (Au), THICKNESS = 1.1 MICROMETER OVER NICKEL, THICKNESS = 1.25 MICROMETER  
2. PERFORMANCE LEVEL 2: SELECTIVE GOLD (Au), THICKNESS = 0.6 MICROMETER OVER NICKEL, THICKNESS = 1.25 MICROMETER  
3. PERFORMANCE LEVEL 3: SELECTIVE GOLD (Au), THICKNESS = 0.3 MICROMETER OVER NICKEL, THICKNESS = 1.25 MICROMETER  
TERMINATION AREA:  
SELECTIVE TIN, THICKNESS = 2.5 MICROMETER OVER NICKEL, THICKNESS = 1.25 MICROMETER OVERALL
- 3) MOUNTING CLIP:-  
TIN (Sn), THICKNESS = 5-10 MICROMETER, OVER NICKEL (Ni), THICKNESS = 2.5 MICROMETER
- 4) FOR NON MOUNTING CLIP OPTION, CONNECTOR TO BE SECURED WITH RIVETS: 2 TUBULAR RIVETS 2.5 x 0.3 ... DIN 7340  
SCREWS: 2 CHEESEHEAD SCREWS M2.5 x ... DIN 84 AND 2 HEXAGONAL NUTS M2.5 DIN 934
- 5) MATERIAL NUMBER, BATCH CODE, UL AND CSA MARKING TO BE PRINTED ON THE CONNECTOR
- 6) CUT FACE OF TIP WITHOUT PLATING PERMITTED
- 7) PRODUCT SPECIFICATION : PS-36509-001

RoHS COMPLIANT

EC No: P007-0044 DRAWN BY: DRINGSATTI/MARAD 2006/10/10 CHECKED BY: CHIKKOSUDHAR 2006/10/11 APPROVED BY: APPR/SSUDHAR 2006/10/15	QUALITY SYMBOLS ▽=0 ▽=0	GENERAL TOLERANCES (UNLESS SPECIFIED)		DIMENSION STYLE MM ONLY		SCALE 2:1	DESIGN UNITS METRIC	THIRD ANGLE PROJECTION
		4 PLACES ± 0.15	± 0.15	DATE 1999/09/24	DATE 1999/09/24	TITLE ASSEMBLY, DIN 41612 R/2 FEMALE, 32 POS A+C LOADED	MATERIAL NO. SD-36510-002	DOCUMENT NO. SD-36510-002
D1	DESCRIPTION	DRAFT WHERE APPLICABLE MUST REMAIN WITHIN DIMENSIONS		SIZE A1	THIS DRAWING CONTAINS INFORMATION THAT IS PROPRIETARY TO MOLEX INCORPORATED AND SHOULD NOT BE USED WITHOUT WRITTEN PERMISSION			

	20	19	18	17	16	15	14	13	12	11	10	9	8	7	6	5	4	3	2	1
	MATERIAL No	MOLEX ENG No	PERF LEVEL	PLATING	CONTACT SEQUENCE/ROW	MOUNTING CLIP	SEALING STRIP													
M	36510-0025	MM-B2400-R483	1	Au+Ni	1,2,3....16 a+c	NO	NO													
	36510-0026	MM-B2500-R483	2	Au+Ni	1,2,3....16 a+c	NO	NO													
	36510-0027	MM-B2600-R483	3	Au+Ni	1,2,3....16 a+c	NO	NO													
L																				
	36510-0031	MM-B2400-R413	1	Au+Ni	1,2,3....16 a+c	YES	NO													
	36510-0032	MM-B2500-R413	2	Au+Ni	1,2,3....16 a+c	YES	NO													
K	36510-0033	MM-B2600-R413	3	Au+Ni	1,2,3....16 a+c	YES	NO													
	36510-0037	MM-B2400-R483-101	1	Au+Ni	1,2,3....16 a+c	NO	YES													
J	36510-0038	MM-B2500-R483-101	2	Au+Ni	1,2,3....16 a+c	NO	YES													
	36510-0039	MM-B2600-R483-101	3	Au+Ni	1,2,3....16 a+c	NO	YES													
I	36510-0043	MM-B2400-R413-101	1	Au+Ni	1,2,3....16 a+c	YES	YES													
	36510-0044	MM-B2500-R413-101	2	Au+Ni	1,2,3....16 a+c	YES	YES													
	36510-0045	MM-B2600-R413-101	3	Au+Ni	1,2,3....16 a+c	YES	YES													
H																				

CONNECTOR WITH SEALING STRIP



RoHS COMPLIANT

EC No: 2007-0044 DRAWING: DRWINGATTI/MARAD 2006/10/10 CHECKED BY: CHKGD/SUDHIR 2006/10/11 APPROVED BY: APPR/SSUDHIR 2006/10/15	QUALITY SYMBOLS ▽=0 ▽=0	GENERAL TOLERANCES (UNLESS SPECIFIED) <table border="1"> <tr> <th></th> <th>mm</th> <th>INCH</th> </tr> <tr> <td>4 PLACES</td> <td>± .15</td> <td>± .005</td> </tr> <tr> <td>3 PLACES</td> <td>± 0.05</td> <td>± .002</td> </tr> <tr> <td>2 PLACES</td> <td>± 0.1</td> <td>± .004</td> </tr> <tr> <td>1 PLACE</td> <td>± 0.15</td> <td>± .006</td> </tr> </table>		mm	INCH	4 PLACES	± .15	± .005	3 PLACES	± 0.05	± .002	2 PLACES	± 0.1	± .004	1 PLACE	± 0.15	± .006	DIMENSION STYLE MM ONLY	SCALE 2:1	DESIGN UNITS METRIC	THIRD ANGLE PROJECTION
		mm	INCH																		
4 PLACES	± .15	± .005																			
3 PLACES	± 0.05	± .002																			
2 PLACES	± 0.1	± .004																			
1 PLACE	± 0.15	± .006																			
DRAFT WHERE APPLICABLE MUST REMAIN WITHIN DIMENSIONS	SEE CHART	DIMENSION STYLE MM ONLY	DRAWN BY: SS DATE: 1999/09/24 CHECKED BY: GJLOWE DATE: 1999/09/24 APPROVED BY: GJLOWE DATE: 1999/09/24	TITLE ASSEMBLY, DIN 41612 R/2 FEMALE, 32 POS A+C LOADED	MATERIAL NO. SD-36510-002	DOCUMENT NO. SD-36510-002	SHEET NO. 2 OF 2														