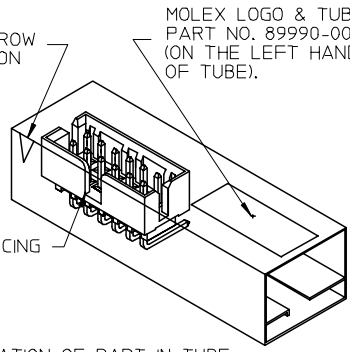
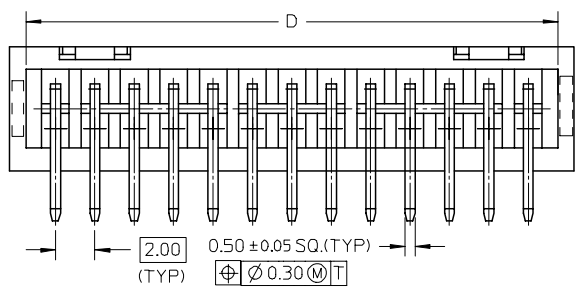
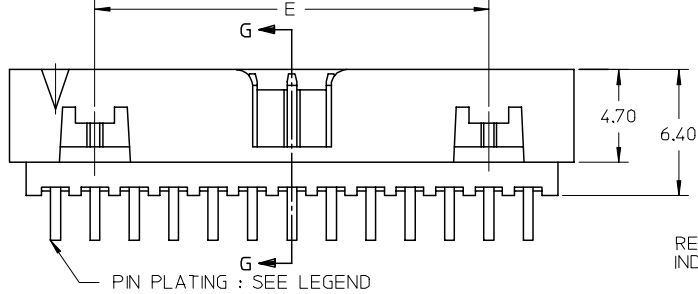
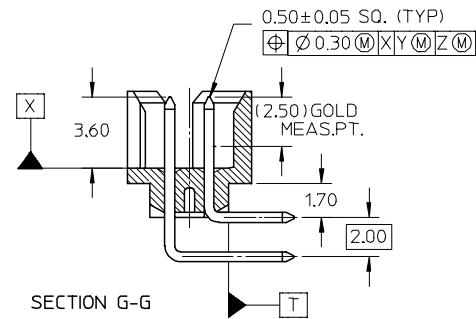
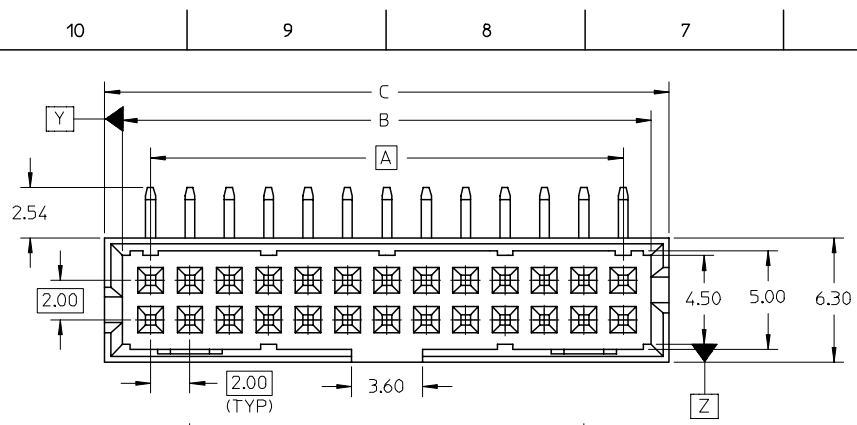


PART NO. W/O CAP IN TUBE	CKT SIZE	DIMENSION				
		A	B	C	D	E
87833-262*	26	24.00	26.85	28.65	27.00	20.00



PART NUMBER LEGEND :

87833 - 26 * *

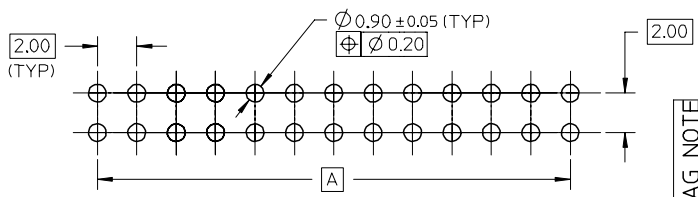
PLATING OPTIONS:

- 22 - 0.38um/15uin GOLD IN CONTACT AREA AND 1.88um/75uin MIN. TIN IN SOLDER TAIL AREA OVER 1.27um/50uin MIN. NICKEL OVERALL.
- 23 - 0.76um/30uin GOLD IN CONTACT AREA AND 1.88um/75uin MIN. TIN IN SOLDER TAIL AREA OVER 1.27um/50uin MIN. NICKEL OVERALL.

NOTES:

1. MATERIAL :
HOUSING : 30% G.F., NYLON 46, UL94V-0, COLOR BLACK.
PIN : 0.50MM SQ.PHOSPHOR BRONZE.
2. PIN PUSHOUT FORCE : 0.91 KG MIN. IN EITHER DIRECTION.
3. PRODUCT SPECIFICATION PS-87831-027 APPLIES.
4. PRODUCT HAS A WIDER POLARIZATION SLOT COMPARE TO THE STANDARD FAMILY SERIES.
5. THIS HEADER MATES WITH MOLEX:
a) CRIMP RECEPTACLE HOUSING, 51110 SERIES WITH CRIMP TERMINAL, 50394 SERIES.
b) 2MM MILLIGRID DUAL ROW IDT, 87568 SERIES.
6. PARTS TO BE PACKED IN TUBE WITH MOISTURE BARRIER BAG.

REF: ORIENTATION OF PART IN TUBE.
(FOR THE REFERENCE OF PART/TUBE ASSEMBLY.)



RECOMMENDED PCB PATTERN

ADD MOIST BAG NOTE	DESCRIPTION	QUALITY SYMBOLS
EC NO: S2007-0931	REV	▽=0
DRWN:GEMENARLY		▽C=0
CHKD:SKANG		
APPR:MLONG		
DATE: 2007/05/30		
DATE: 2007/06/01		
DATE: 2007/06/01		

GENERAL TOLERANCES (UNLESS SPECIFIED)	DIMENSION STYLE	
	MM ONLY	
4 PLACES	± ---	± ---
3 PLACES	± ---	± ---
2 PLACES	± 0.2	± ---
1 PLACE	± ---	± ---
ANGULAR ± 3 °		
DRAFT WHERE APPLICABLE MUST REMAIN WITHIN DIMENSIONS		

DRAWN BY	DATE	TITLE
ATSEE	2003/10/27	MGRID, SHROUDED HEADER W/SLOTS AND STANDOFF R/A
CHECKED BY	DATE	
KCLING	2003/11/07	
APPROVED BY	DATE	
SKTOH	2003/11/07	
MATERIAL NO.		DOCUMENT NO.
SEE TABLE		SD-87833-018

SCALE	DESIGN UNITS	THIRD ANGLE PROJECTION
NTS	METRIC	
MOLEX INCORPORATED		
SHEET NO.		1 OF 1
THIS DRAWING CONTAINS INFORMATION THAT IS PROPRIETARY TO MOLEX INCORPORATED AND SHOULD NOT BE USED WITHOUT WRITTEN PERMISSION		