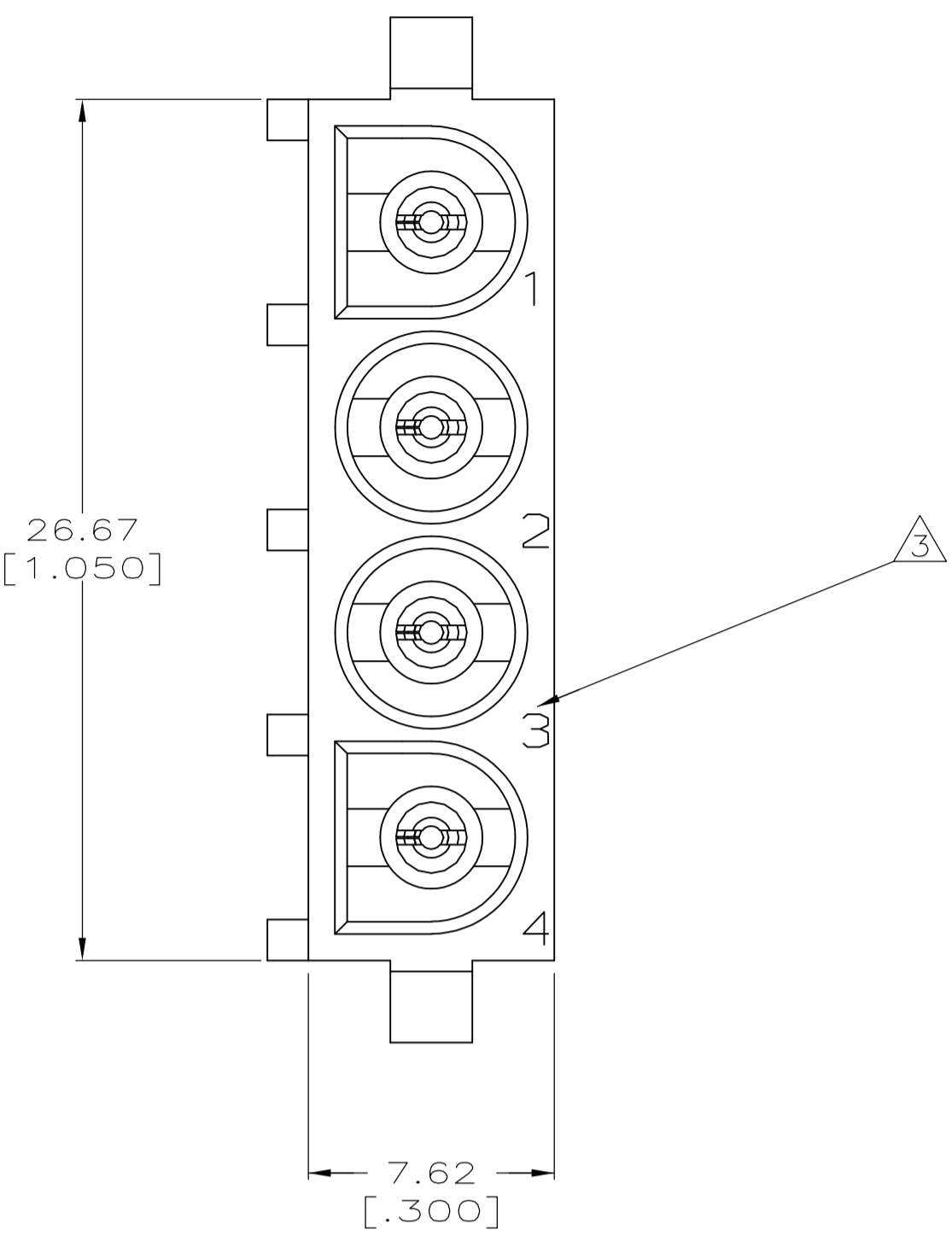
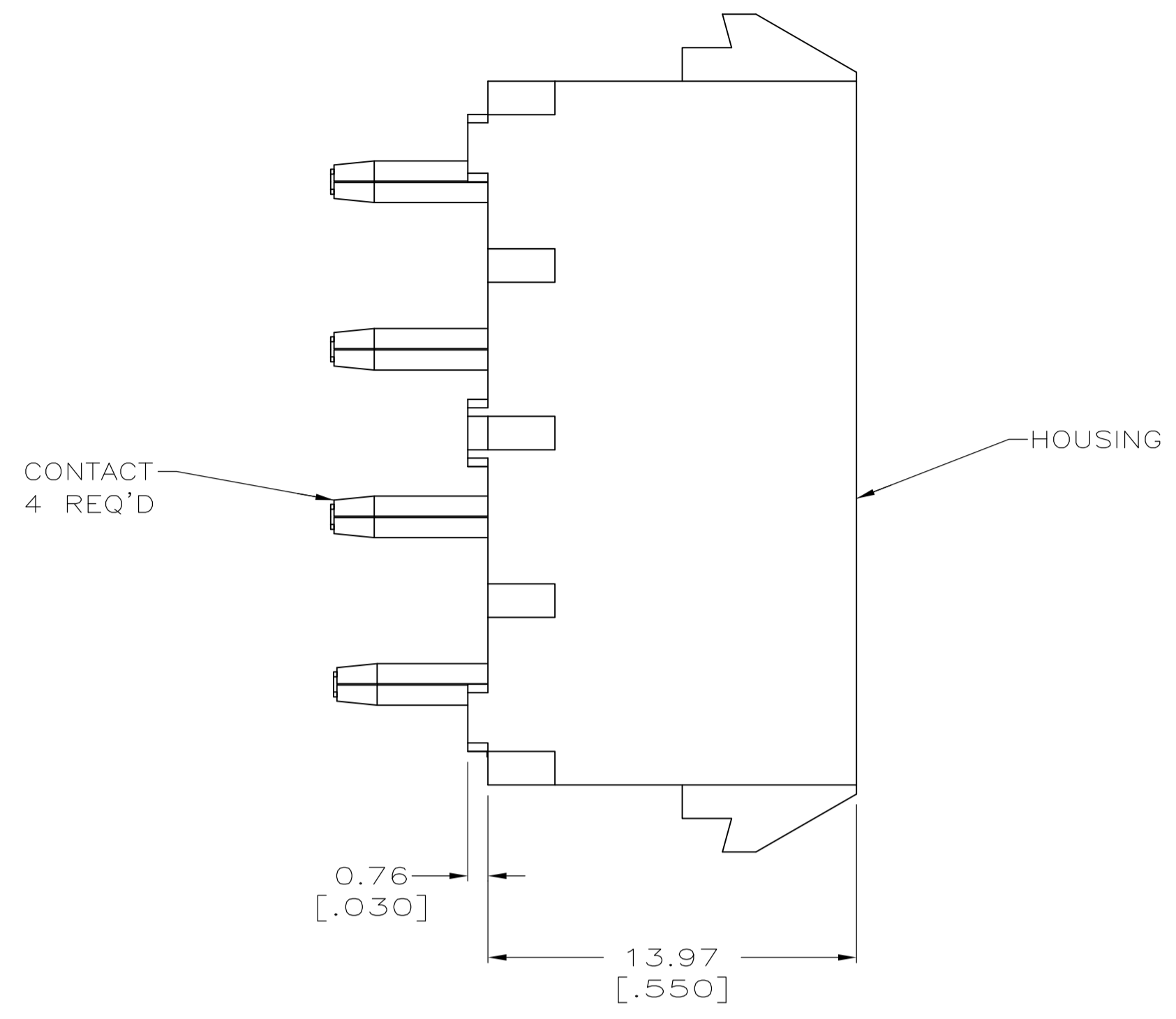
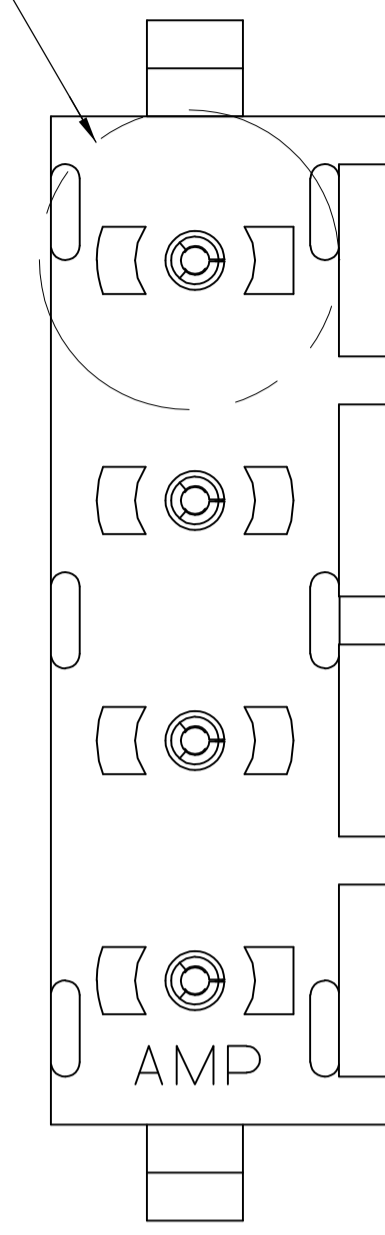
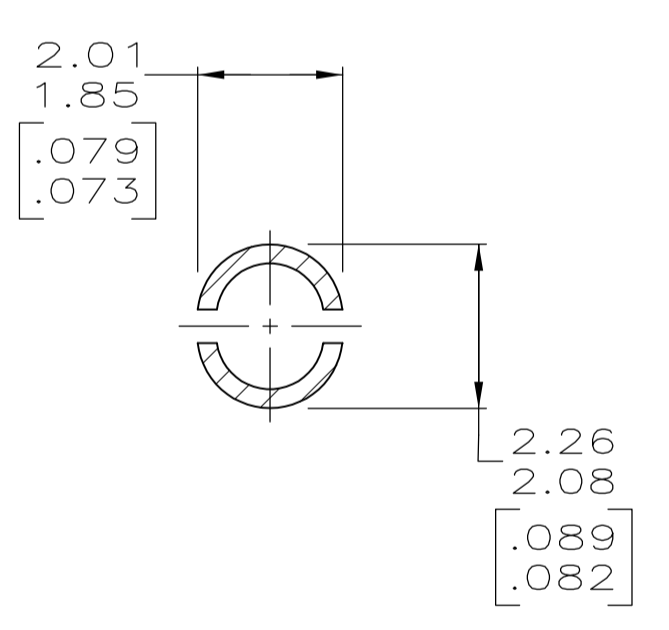
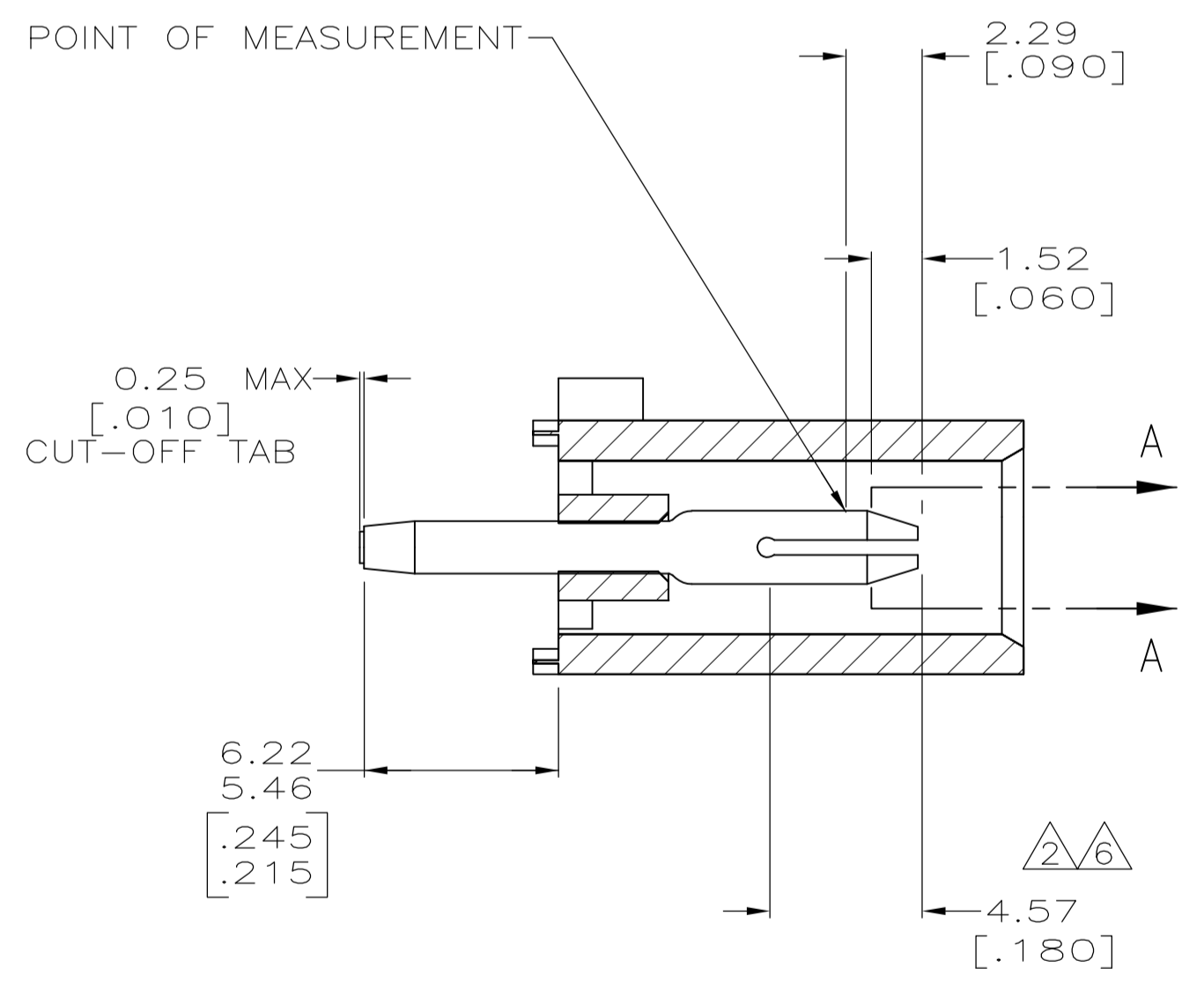


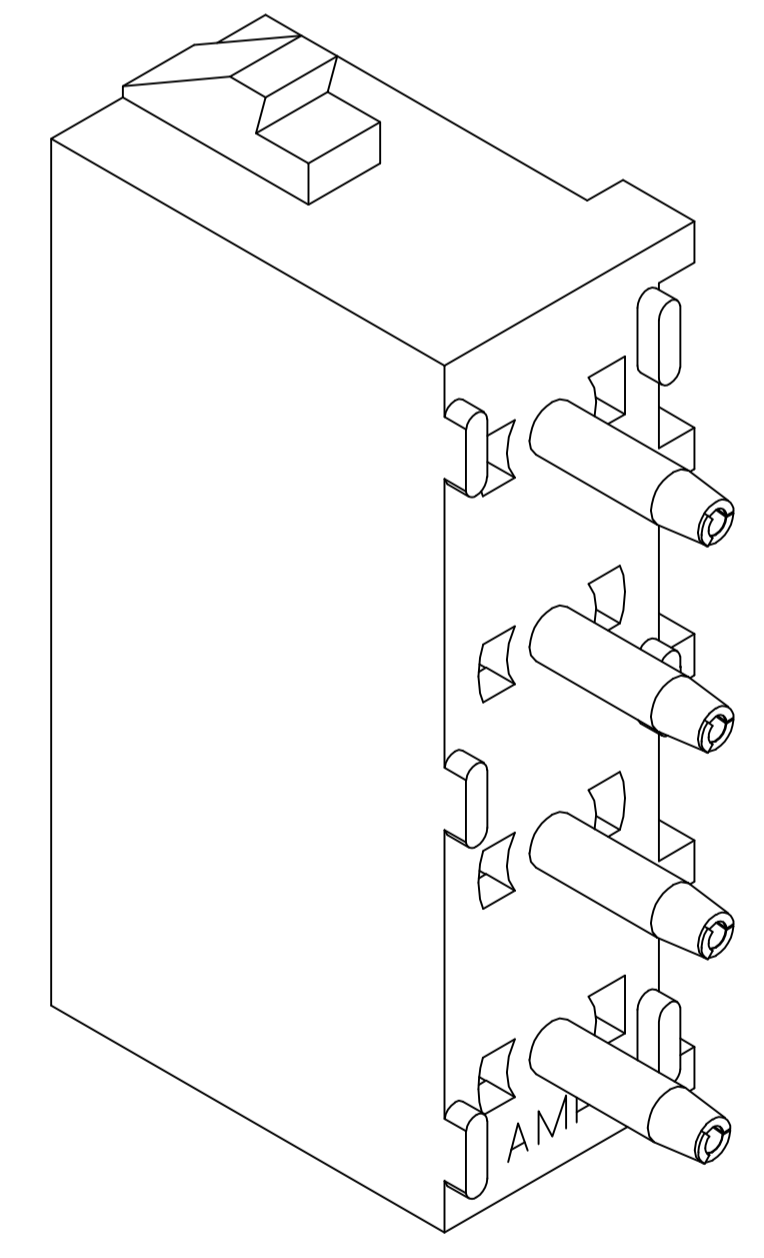
SEE DETAIL A



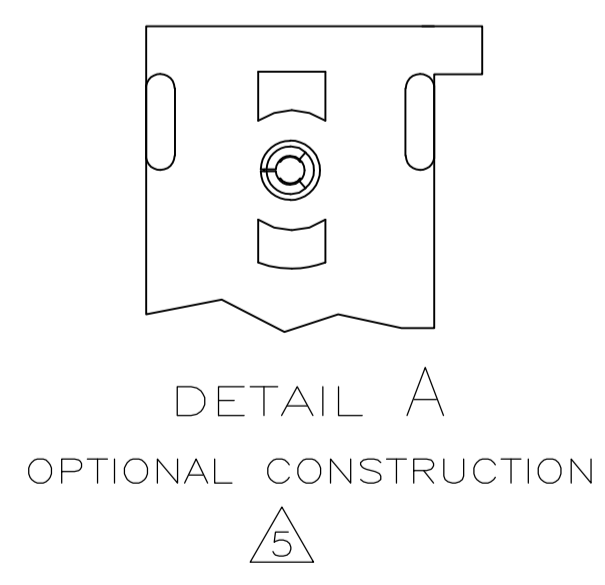
- 1 PARTS COMPLY TO AMP SOLDERABILITY SPECIFICATION 109-11-3.
- 2 CONTACT IS PLATED OVERALL WITH 0.00127 [.000050] NICKEL, THEN 0.00076 [.000030] GOLD OVER CONTACT LENGTH INDICATED AND MATTE TIN LEAD ON SOLDER TAIL END.
- 3 CIRCUIT IDENTIFICATION CHARACTERS ARE ADJACENT TO THE INDICATED CAVITIES, BUT LOCATION AND ORIENTATION MAY DIFFER FROM PRINT.
- 4 DIMENSIONS IN BRACKETS ARE IN INCHES.
- 5 DRAIN HOLES LOCATED AS SHOWN. OPTIONAL CONSTRUCTION - ALL DRAIN HOLES LOCATED 90° AS SHOWN IN DETAIL A.
- 6 CONTACT IS PLATED OVERALL WITH 0.00127 [.000050] NICKEL, THEN 0.00076 [.000030] GOLD OVER CONTACT LENGTH INDICATED AND MATTE TIN ON SOLDER TAIL END.
- 7 SUPERSEDED BY 350793-3



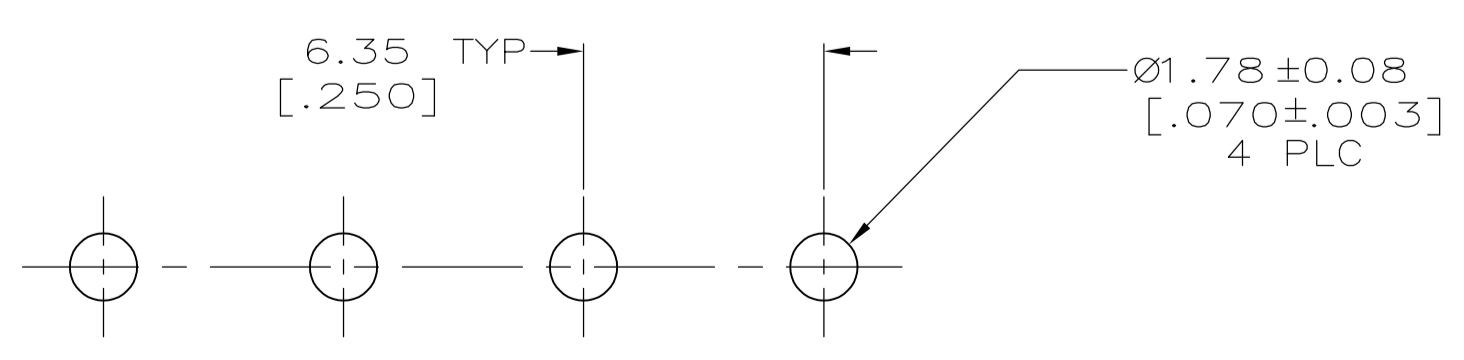
SECTION A-A
SCALE 10:1



3-DIMENSIONAL MODEL
NTS



DETAIL A
OPTIONAL CONSTRUCTION



RECOMMENDED MOUNTING HOLE PATTERN
FOR 3.18 [.125] THICK P.C. BOARD

PHOSPHOR BRONZE, GOLD	NYLON, UL94V-0, WHITE	350793-3
PHOSPHOR BRONZE, GOLD	NYLON, UL94V-0, WHITE	350793-2
PHOSPHOR BRONZE, PRE-TIN	NYLON, UL94V-0, WHITE	350793-1
PIN CONTACT MATERIAL AND FINISH	HOUSING MATERIAL	PART NUMBER

THIS DRAWING IS A CONTROLLED DOCUMENT.		DIN R LEWIS 10-05-98	TE Connectivity
DIMENSIONS: mm [INCHES]		CR SWING 10-05-98	
TOLERANCES UNLESS OTHERWISE SPECIFIED:		NAME	PIN HEADER ASSEMBLY, 4 CIRCUIT UNIVERSAL MATE-N-LOK™
0 PLC ± -		APPLICATION SPEC	
1 PLC ± -		SIZE	CAGE CODE
2 PLC ± 0.13 [.005]		WEIGHT	DRAWING NO
3 PLC ± -		RESTRICTED TO	
4 PLC ± -			
ANGLES ± 0°30'			
MATERIAL SEE TABLE	FINISH SEE TABLE	A1 00779 C=350793	SCALE 5:1 SHEET 1 OF 1 REV R1