

4

3

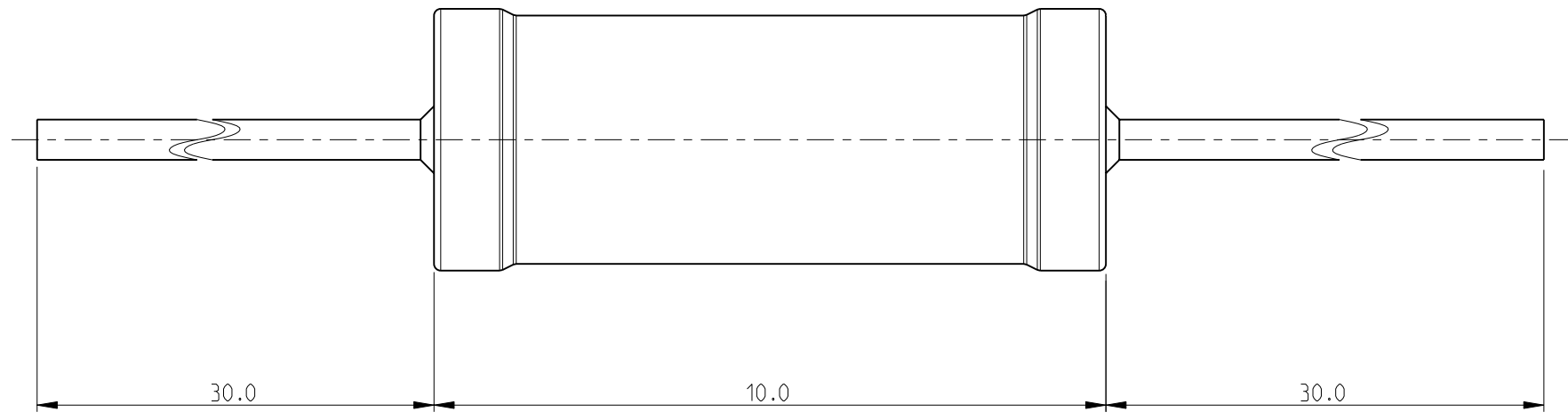
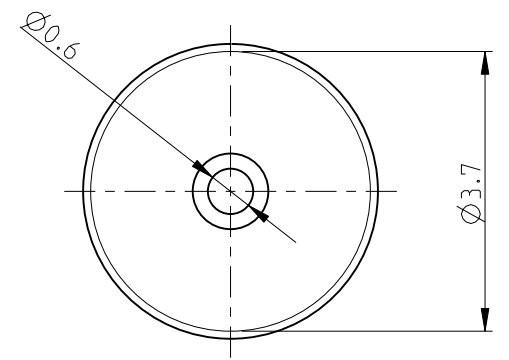
2

1

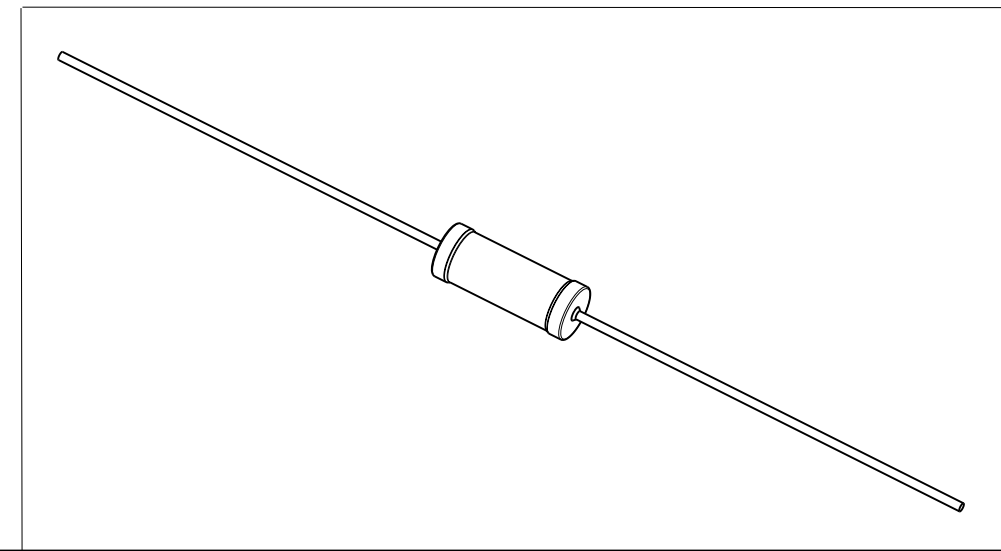
THIS DRAWING IS UNPUBLISHED. RELEASED FOR PUBLICATION 2009  
 © COPYRIGHT 2009 BY TYCO ELECTRONICS CORPORATION. ALL RIGHTS RESERVED.

| LOC | DIST | REVISIONS   |             |            |         |
|-----|------|-------------|-------------|------------|---------|
| P   | LTR  | DESCRIPTION | DATE        | DWN        | APVD    |
| E   | B    | BA          | NEW RELEASE | 28JUNE2010 | PT St.P |

FOR FURTHER INFORMATION SEE DATA SHEET FOR  
 SERIES HOLCO, AXIAL LEADED PRECISION RESISTORS



RoHS Compliant



|                                                                                                                                                                                                                                   |  |                               |                                                             |                    |
|-----------------------------------------------------------------------------------------------------------------------------------------------------------------------------------------------------------------------------------|--|-------------------------------|-------------------------------------------------------------|--------------------|
| <small>THIS DRAWING IS A CONTROLLED DOCUMENT FOR TYCO ELECTRONICS CORPORATION<br/>         IT IS SUBJECT TO CHANGE AND THE CONTROLLING ENGINEERING ORGANIZATION<br/>         SHOULD BE CONTACTED FOR THE LATEST REVISION.</small> |  | DWN 28JUNE2010<br>PARUSURAM.T | Tyco Electronics Corporation<br>Dorcan, Swindon, SN3 5HH    |                    |
| DIMENSIONS:<br>mm                                                                                                                                                                                                                 |  | CHK 28JUNE2010<br>ALLAN.P     | NAME<br>AXIAL LEADED PRECISION RESISTORS<br>SERIES HOLCO H4 |                    |
|                                                                                                                                                                                                                                   |  | APVD 28JUNE2010<br>STEPHEN.P  | PRODUCT SPEC<br>-                                           |                    |
| TOLERANCES UNLESS OTHERWISE SPECIFIED:<br>0 PLC ± 0.2<br>1 PLC ± 0.1<br>2 PLC ± -<br>3 PLC ± -<br>4 PLC ± -<br>ANGLES ± 5°                                                                                                        |  | APPLICATION SPEC<br>-         | SIZE<br>A3                                                  | CAGE CODE<br>00779 |
| MATERIAL -                                                                                                                                                                                                                        |  | WEIGHT -                      | DRAWING NO<br>C=1879678                                     | RESTRICTED TO<br>- |
| CUSTOMER DRAWING                                                                                                                                                                                                                  |  |                               | SCALE 10:1                                                  | SHEET 1 OF 1       |
|                                                                                                                                                                                                                                   |  |                               | REV BA                                                      |                    |