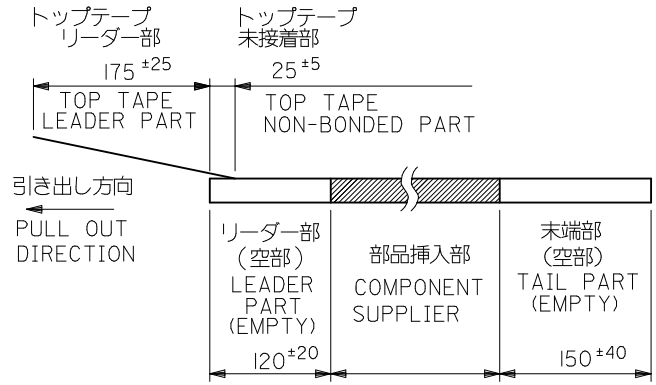
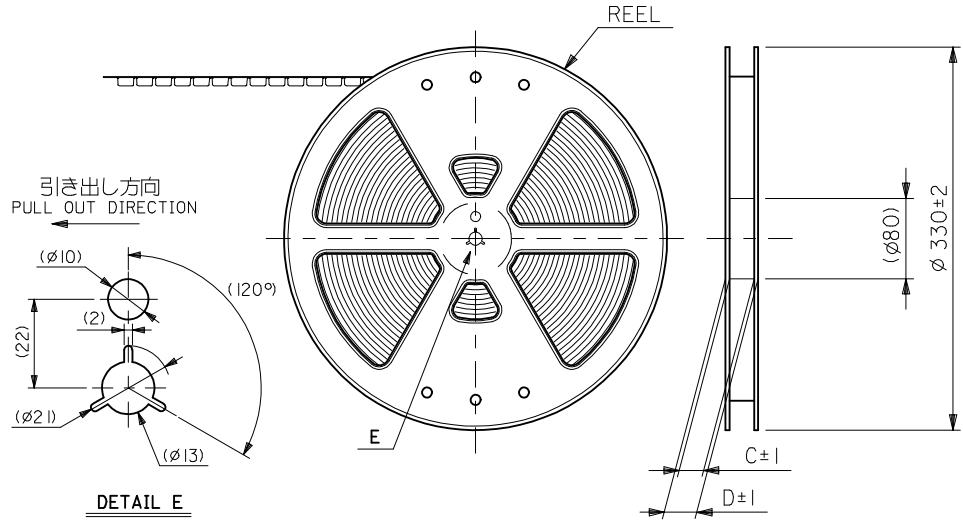


注記 NOTES

- 製品番号 52559-\*\*-\*\*19 の梱包状態はアクチュエータがロックした状態とする。  
 詳細寸法については図面 SD-52559-\*\*-\*\*19 を参照下さい。  
 IN THE PACKAGE,ACTUATOR OF PART NO.52559-\*\*-\*\*19 SHOULD BE LOCKED RE DETAILED DIMENSIONS,SEE SD-52559-\*\*-\*\*19
- 梱包数量：1000個/リール  
 NUMBER OF CONNECTORS:1000PCS/REEL
- リードテープ長さ LEAD TAPE LENGTH



5. 材料  
 キャリアテープ：ポリプロピレン (PP)  
 トップテープ：PET, PE, PEF  
 リール：ポリスチレン (PS) <リサイクル材を含む>

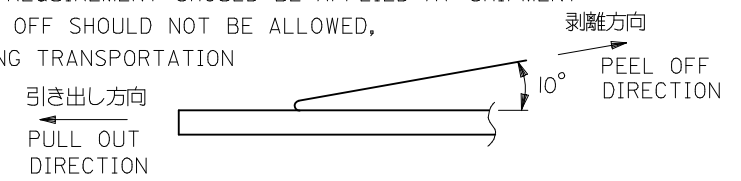
MATERIAL CARRIER TAPE:POLYPROPYLENE  
 TOP TAPE:PET,PE,PEF  
 REEL:POLYSTYREN(PS)  
 <RECYCLE MATERIAL CONTAINED>

6. 本製品は 52559-\*\*-\*\*90の鉛フリー品である。  
 THIS PRODUCT IS LEAD FREE OF

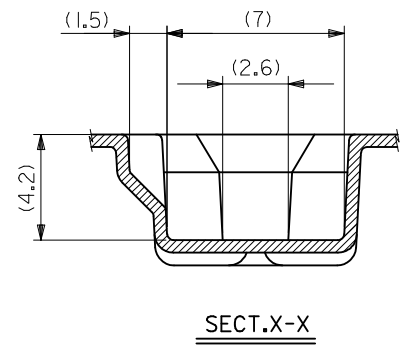
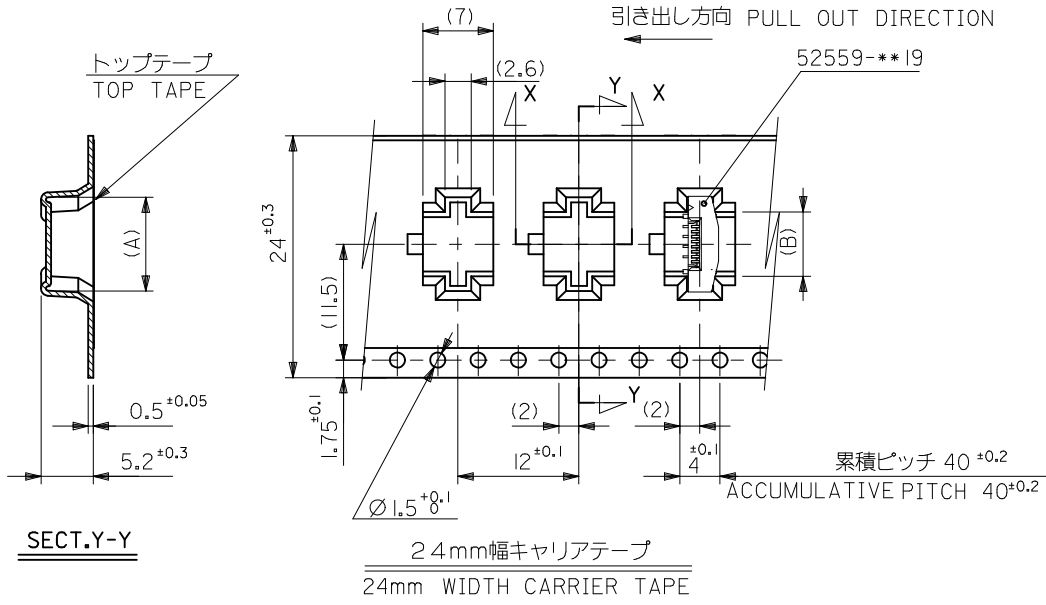
7. 本製品は乾燥剤入り、ハイバリア梱包仕様である。  
 THIS PRODUCT IS HIGH BARRIER PACKAGE WITH DESICCANT.

4. トップテープの剥離強度：(剥離方向は下図参照)  
 0.1N~1.3N {10gf~130gf}尚、本規格値は、出荷時に適用。  
 (但し、輸送時に剥離が発生しない事。)

PEELING OFF FORCE OF TOP TAPE  
 0.1~1.3N(10gf~130gf)(PEELING DIRECTION AS SHOWN IN FOLLOWING FIG.)  
 THIS REQUIREMENT SHOULD BE APPLIED AT SHIPMENT  
 PEEL OFF SHOULD NOT BE ALLOWED,  
 DURING TRANSPORTATION

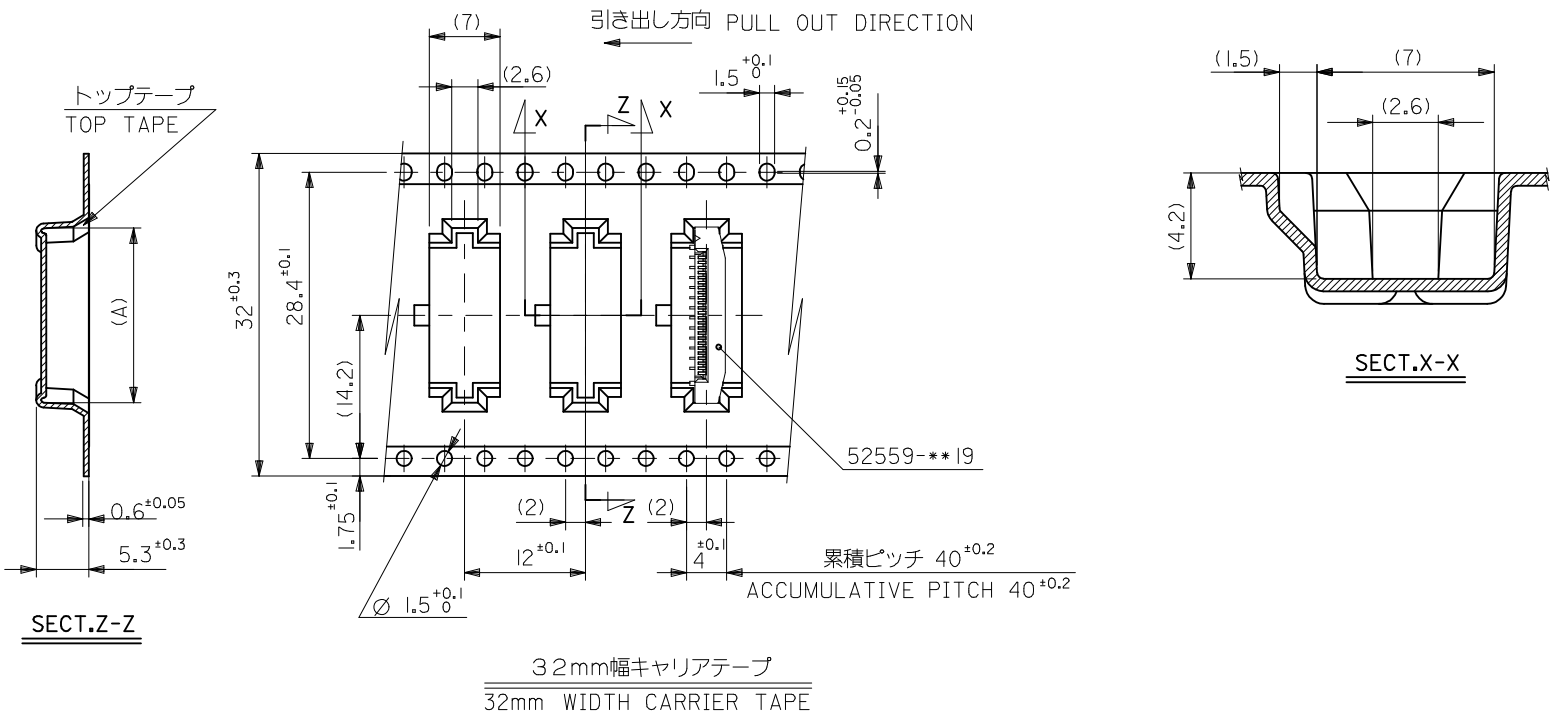


REVISED EC NO: J2016-0872 DRWN:FSATO 2016/02/16 CHKD:TAKAHASHI 2016/02/16 APPR:KUSUHARA01 2016/03/02	GENERAL TOLERANCES (UNLESS SPECIFIED)		DIMENSION STYLE MM ONLY		SCALE ---	52559-**-**70	MODEL NO.
	0.25 UNDER	UNDER	±0.2	DRAWN BY HSHIMABUKURO	DATE '04/01/07	DESIGN UNITS METRIC	
	0.25 OVER	0.5 UNDER	±0.2	CHECKED BY KTOJO	DATE '04/01/07	THIRD ANGLE PROJECTION	
	0.5 OVER	1.0 UNDER	±0.2	APPROVED BY MSASAO	DATE '04/01/07	TITLE 0.5 FPC CONN ASSY ZIF SMT SMT EMBSTP PKG -LEAD FREE-	
	1.0 OVER	30 UNDER	±0.25	MATERIAL NO. SEE SHEET 2-4	DOCUMENT NO. SD-52559-029	SHEET NO. 1 OF 4	
	30 OVER		±0.3	THIS DRAWING CONTAINS INFORMATION THAT IS PROPRIETARY TO MOLEX ELECTRONIC TECHNOLOGIES, LLC AND SHOULD NOT BE USED WITHOUT WRITTEN PERMISSION			
	ANGULAR	±3 °					
	DRAFT WHERE APPLICABLE MUST REMAIN WITHIN DIMENSIONS						



24	29.4	25.4	(B)	(A)	MATERIAL NO.	種数
			13.4	16.3	52559-2270	22
			12.4	15.3	52559-2070	20
			11.9	14.8	52559-1970	19
			11.4	14.3	52559-1870	18
			10.4	13.3	52559-1670	16
			9.4	12.3	52559-1470	14
			8.9	11.8	52559-1370	13
			8.4	11.3	52559-1270	12
			7.9	10.8	52559-1170	11
6.4	9.3	52559-0870	8			
5.4	8.3	52559-0670	6			

REVISED EC NO: J2016-0872 DRWN:FSATO 2016/02/16 CHKD:KATAHASHI 2016/02/16 APPR:KUSUHARA01 2016/03/02	DESCRIPTION	GENERAL TOLERANCES (UNLESS SPECIFIED)	DIMENSION STYLE	SCALE	DESIGN UNITS	THIRD ANGLE PROJECTION	
	REV	0.25 UNDER UNDER ±0.2	MM ONLY	---	METRIC	☉	
		0.25 OVER 0.5 UNDER ±0.2	DRAWN BY HSHIMABUKURO	DATE '04/01/07	TITLE	0.5 FPC CONN ASSY ZIF SMT SMT EMBSTP PKG -LEAD FREE-	
		0.5 OVER 1.0 UNDER ±0.2	CHECKED BY KTOJO	DATE '04/01/07		<b>molex</b>	
		1.0 OVER 10 UNDER ±0.2	APPROVED BY MSASAO	DATE '04/01/07			
		10 OVER 30 UNDER ±0.25	MATERIAL NO.	SEE TABLE	DOCUMENT NO.	SD-52559-029	SHEET NO. 2 OF 4
		30 OVER ±0.3	SIZE	A3	THIS DRAWING CONTAINS INFORMATION THAT IS PROPRIETARY TO MOLEX ELECTRONIC TECHNOLOGIES, LLC AND SHOULD NOT BE USED WITHOUT WRITTEN PERMISSION		
		ANGULAR ±3 °	DRAFT WHERE APPLICABLE MUST REMAIN WITHIN DIMENSIONS				
			MODEL No.52559-**-70 キャリアテープ幅 CARRIER TAPE WIDTH				
			D				
		C					



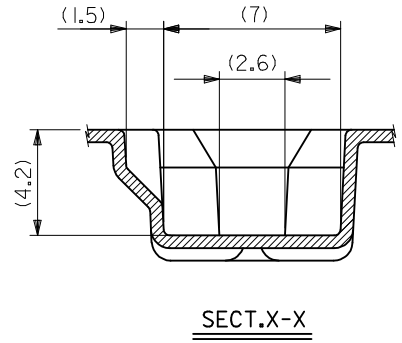
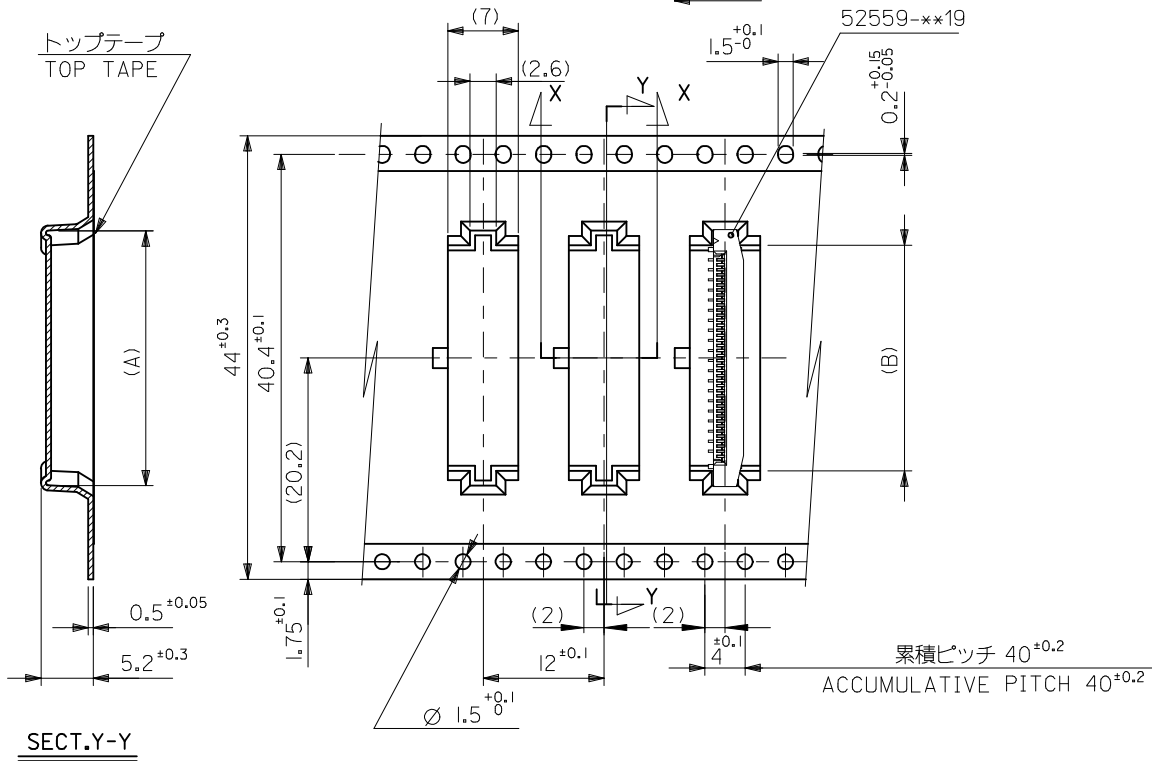
32mm幅キャリアテープ  
32mm WIDTH CARRIER TAPE

32	37.4	33.4	18.9	21.8	52559-3370	33
			18.4	21.3	52559-3270	32
			17.4	20.3	52559-3070	30
			16.4	19.3	52559-2870	28
			14.9	17.8	52559-2570	25
			14.4	17.3	52559-2470	24

MODEL No.52559-\*\*70 キャリアテープ幅 CARRIER TAPE WIDTH D C (B) (A) MATERIAL NO. 極致 CIRCUIT

REVISED EC NO: J2016-0872 DRWN:FSATO 2016/02/16 CHKD:KATAHASHI 2016/02/16 APPR:KUSUHARA01 2016/03/02	DESCRIPTION 0.25 UNDER UNDER ±0.2 0.25 OVER 0.5 UNDER ±0.2 0.5 OVER 1.0 UNDER ±0.2 1.0 OVER 10 UNDER ±0.2 10 OVER 30 UNDER ±0.25 30 OVER ±0.3 ANGULAR ±3 °	GENERAL TOLERANCES (UNLESS SPECIFIED) DIMENSION STYLE MM ONLY SCALE --- DESIGN UNITS METRIC THIRD ANGLE PROJECTION	DRAWN BY	DATE	TITLE			
			HSHIMABUKURO	'04/01/07	0.5 FPC CONN ASSY ZIF			
			CHECKED BY	DATE	SMT SMT EMBSTP PKG			
			KTOJO	'04/01/07	-LEAD FREE-			
			APPROVED BY	DATE	<b>molex</b>			
			MSASAO	'04/01/07	SD-52559-029			
			MATERIAL NO.	DOCUMENT NO.	SHEET NO.			
			SEE TABLE		3 OF 4			
			DRAFT WHERE APPLICABLE MUST REMAIN WITHIN DIMENSIONS			THIS DRAWING CONTAINS INFORMATION THAT IS PROPRIETARY TO MOLEX ELECTRONIC TECHNOLOGIES, LLC AND SHOULD NOT BE USED WITHOUT WRITTEN PERMISSION		

引き出し方向 PULL OUT DIRECTION



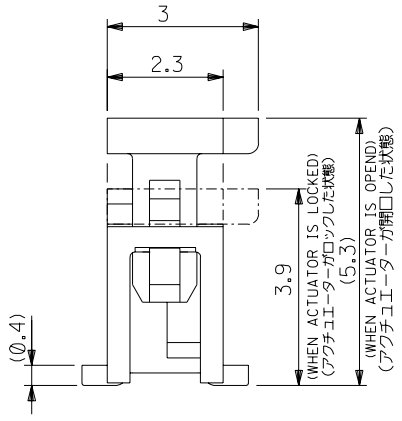
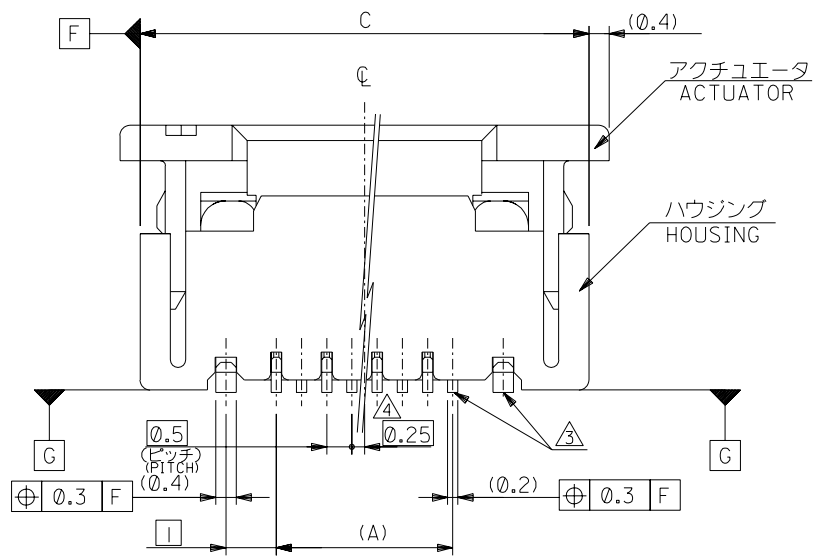
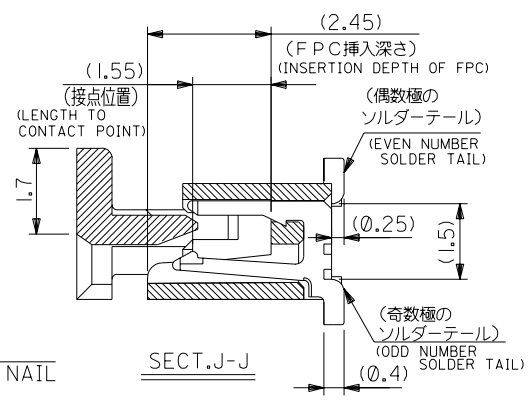
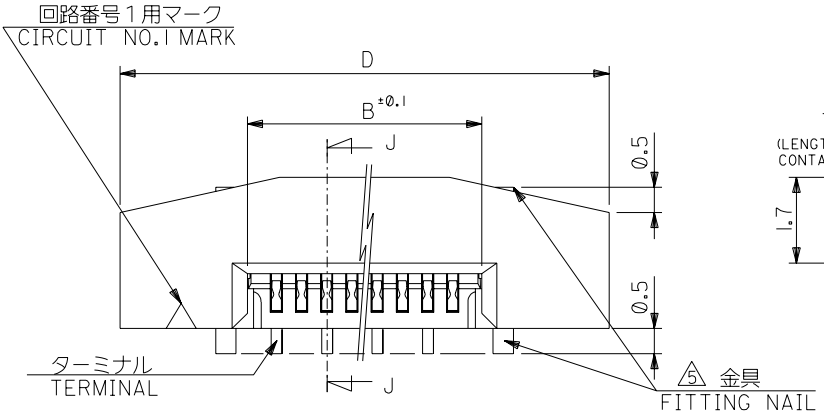
44mm幅キャリアテープ  
44mm WIDTH CARRIER TAPE

MODEL No.52559-\*\*-70

44	49.4	45.4	22.4	25.3	52559-4070	40
			20.4	23.3	52559-3670	36
DIMENSION STYLE			SCALE		DESIGN UNITS	
MM ONLY			---		METRIC	
CARRIER TAPE WIDTH			D		CIRCUIT NO.	
C			(B)		MATERIAL NO.	
					THIRD ANGLE PROJECTION	

REVISED	EC NO: J2016-0872	2016/02/16		
	DRWN:FSATO	2016/02/16		
	CHKD:KATAHASHI	2016/02/16		
	APPR:KUSUHARA01	2016/03/02		
	DESCRIPTION			
	REV			
GENERAL TOLERANCES (UNLESS SPECIFIED)				
0.25	UNDER	UNDER	±0.2	
0.25	OVER	0.5	UNDER	±0.2
0.5	OVER	1.0	UNDER	±0.2
1.0	OVER	10	UNDER	±0.2
10	OVER	30	UNDER	±0.25
30	OVER			±0.3
ANGULAR		±3	°	
DRAFT WHERE APPLICABLE MUST REMAIN WITHIN DIMENSIONS				

DRAWN BY	DATE	TITLE
HSHIMABUKURO	'04/01/07	0.5 FPC CONN ASSY ZIF
CHECKED BY	DATE	SMT ST EMBSTP PKG
KTOJO	'04/01/07	-LEAD FREE-
APPROVED BY	DATE	
MSASAO	'04/01/07	
MATERIAL NO.	DOCUMENT NO.	SHEET NO.
SEE TABLE	SD-52559-029	4 OF 4
THIS DRAWING CONTAINS INFORMATION THAT IS PROPRIETARY TO MOLEX ELECTRONIC TECHNOLOGIES, LLC AND SHOULD NOT BE USED WITHOUT WRITTEN PERMISSION		



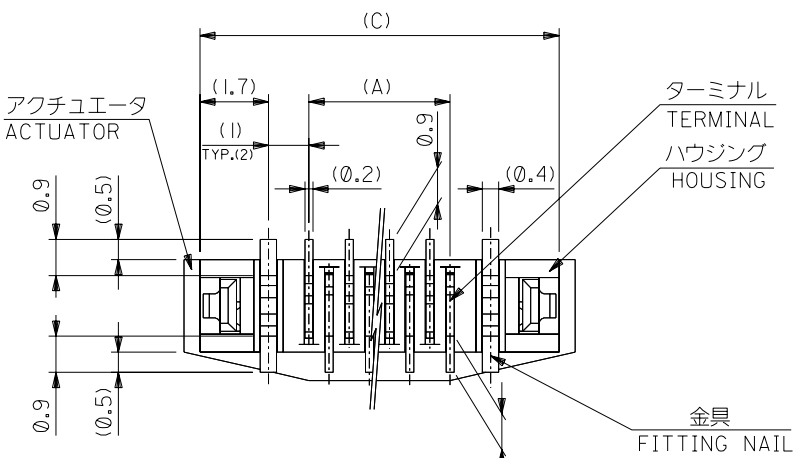
注記 NOTES

- 使用材料 : MATERIAL  
 ハウジング :46NYLON UL94V-0  
 HOUSING  
 アクチュエータ :PPS UL94V-0  
 ACTUATOR  
 ターミナル :リン青銅 (t=0.2)  
 TERMINAL PHOS-BRO  
 :錫ビスマスマッキ 1.0マイクロメートル以上  
 TIN-BISMUTH 1.0 MICROMETER MINIMUM  
 :ニッケル下地 1.0マイクロメートル以上  
 NICKEL(UNDER PLATING) 1.0 MICROMETER MINIMUM  
 金具 :リン青銅 (t=0.4)  
 FITTING NAIL PHOS-BRO  
 :錫メッキ 1.0マイクロメートル以上  
 TIN 1.0 MICROMETER MINIMUM  
 :ニッケル下地 1.0マイクロメートル以上  
 NICKEL(UNDER PLATING) 1.0 MICROMETER MINIMUM
- エンボスステップ梱包時は、アクチュエータがロックした状態とする。  
 IN THE PACKAGE,ACTUATOR OF PART NO.52559-019 SHOULD BE LOCKED.  
 △ソルダータール半田付け面のズレ量、及び金具半田付け面のズレ量は、基準面 G に対し上方向 0.05 MAX. , 下方向 0.15 MAX. とする。  
 MISALIGNMENT OF SOLDER TAILS AND FITTING NAILS FROM UPPER DIRECTION: 0.05 MAX. , LOWER DIRECTION: 0.15 MAX.  
 △偶数種に適用。  
 APPLY FOR EVEN CIRCUIT.  
 △パターンはくり止め用金具。  
 FITTING NAIL FOR PREVENTION OF PEELING OF P.C.B. PATTERN.  
 △R0.3は、FPCの導体部にかからないこと。  
 R0.3 MUST NOT BE OVERLAPPED TO PATTERN OF FPC.
- 本製品は 52559-019 の鉛フリー品である。  
 THIS PRODUCT IS LEAD FREE OF 52559-019

DO NOT SCALE DRAWING

① 64NO. DRWN: CH'K: APPR: ② 63NO. DRWN: CH'K: APPR: ③ 62NO. DRWN: CH'K: APPR:		REVISED ④ 61NO. J2004-3551 DRWN: H. KAWABATA 04/04/05 CH'K: K. TOJO 04/04/05 APPR: H. Sato 04/04/05 RELEASED ⑤ 60NO. J2004-1818 DRWN: H. SHIMABUKURO 04/01/07 CH'K: K. TOJO 04/01/07 APPR: H. Sato 04/01/07		MATERIAL 材料 注記参照 SEE NOTES		GENERAL TOLERANCES: (UNLESS SPECIFIED) 一般公差 ① 0 UNDER 未満 ±0.2 ② 0 OVER 以上 30 UNDER 未満 ±0.25 ③ 0 OVER 以上 ±0.3		SCALE 縮尺 DESIGN UNITS 設計単位 ④ 20° 2ND ANGLE PROJECTION ⑤ mm ⑥ INCH ⑦ mm ONLY		MODEL NO. 52559-019 DIMENSIONS: ⑧ mm ⑨ INCH ⑩ mm ⑪ INCH SHT 1 OF 2 REV B CAD ONLY	
WIRE RANGE 適用層線範囲 INS. RANGE 被覆外径		DESCRIPTION 説明 ⑫ ⑬ ⑭ ⑮ ⑯ ⑰ ⑱ ⑲ ⑳ ㉑ ㉒ ㉓ ㉔ ㉕ ㉖ ㉗ ㉘ ㉙ ㉚ ㉛ ㉜ ㉝ ㉞ ㉟ ㊱ ㊲ ㊳ ㊴ ㊵ ㊶ ㊷ ㊸ ㊹ ㊺ ㊻ ㊼ ㊽ ㊾ ㊿		TITLE: 0.5 FPC Conn. Assy ZIF. -LEAD FREE-		DRAWN BY & DATE H. SHIMABUKURO '04/01/07 CHECKED BY & DATE K. TOJO '04/01/07 APPROVED BY & DATE H. Sato '04/01/07		MATERIAL NO. SEE CHART DRAWING NO. SD-52559-045 SHEET NO. 1 OF 2			
CAD FILENAME SD-52559-045.S01		MOLEX MOLEX INCORPORATED		DRAWING CONTAINS PROPRIETARY INFORMATION THAT IS PROPRIETARY TO MOLEX INCORPORATED AND SHOULD NOT BE USED WITHOUT WRITTEN PERMISSION.		SIZE B					

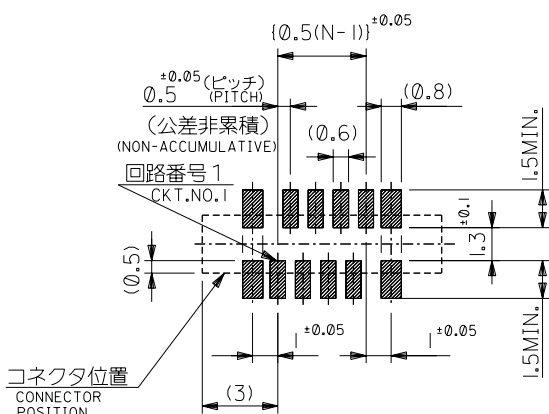
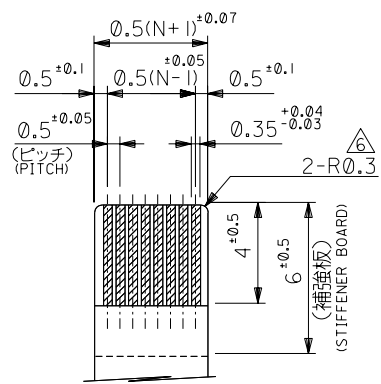
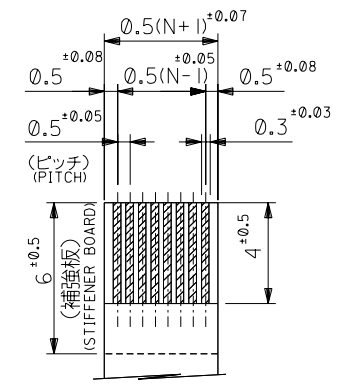
DWG. NO. SD-52559-045



FPCについて：  
 打抜き方向は導体側から補強板側を推奨致します。  
 補強フィルム材質はポリイミドを推奨致します。  
 接着剤は熱硬化接着剤を推奨致します。

ABOUT FPC :  
 RECOMMENDED PUNCHER DIRECTION : FROM CONDUCTOR SIDE TO STIFFENER BOARD SIDE.  
 RECOMMENDED MATERIAL :  
 STIFFENER FILM : POLYIMIDE  
 BONDING AGENT : THERMOSETTING BONDING AGENT

下面図  
 BOTTOM VIEW



適合FPC推奨寸法  
 APPLICABLE FPC  
 RECOMMENDED DIMENSION.  
 (仕上がり厚さ: 0.3±0.05)  
 (THICKNESS: 0.3±0.05)

適合FPC推奨寸法  
 APPLICABLE FPC  
 RECOMMENDED DIMENSION.  
 (仕上がり厚さ: 0.3±0.05)  
 (THICKNESS: 0.3±0.05)

25.7	24.9	20.65	19.5	52559-4019	40
23.7	22.9	18.65	17.5	-3619	36
22.2	21.4	17.15	16.0	-3319	33
21.7	20.9	16.65	15.5	-3219	32
21.2	20.4	16.15	15.0	-3119	31
20.7	19.9	15.65	14.5	-3019	30
20.2	19.4	15.15	14.0	-2919	29
19.7	18.9	14.65	13.5	-2819	28
19.2	18.4	14.15	13.0	-2719	27
18.7	17.9	13.65	12.5	-2619	26
18.2	17.4	13.15	12.0	-2519	25
17.7	16.9	12.65	11.5	-2419	24
17.2	16.4	12.15	11.0	-2319	23
16.7	15.9	11.65	10.5	-2219	22
16.2	15.4	11.15	10.0	-2119	21
15.7	14.9	10.65	9.5	-2019	20
15.2	14.4	10.15	9.0	-1919	19
14.7	13.9	9.65	8.5	-1819	18
14.2	13.4	9.15	8.0	-1719	17
13.7	12.9	8.65	7.5	-1619	16
13.2	12.4	8.15	7.0	-1519	15
12.7	11.9	7.65	6.5	-1419	14
12.2	11.4	7.15	6.0	-1319	13
11.7	10.9	6.65	5.5	-1219	12
11.2	10.4	6.15	5.0	-1119	11
10.7	9.9	5.65	4.5	-1019	10
10.2	9.4	5.15	4.0	-0919	9
9.7	8.9	4.65	3.5	-0819	8
8.7	7.9	3.65	2.5	52559-0619	6
D	C	B	(A)	MATERIAL NO.	極数

DO NOT SCALE DRAWING

図番 NO. DRWN: CH'K: APPR:	図番 NO. DRWN: CH'K: APPR:	図番 NO. DRWN: CH'K: APPR:	REVISED 図番 NO. J2004-3551 DRWN: H.KAWABATA '04/04/05 CH'K: K.TOJO '04/04/05 APPR: H. Saito '04/04/05	RELEASED 図番 NO. J2004-1818 DRWN: H.SHIMABUKURO '04/01/07 CH'K: K.TOJO '04/01/07 APPR: H. Saito '04/01/07	MATERIAL 材料 注記参照 SEE NOTES	GENERAL TOLERANCES: (UNLESS SPECIFIED) 一般公差 10 UNDER 未満 ±0.2 10 OVER 以上 30 UNDER 未満 ±0.25 30 OVER 以上 ±0.3	SCALE 1:1 DESIGN UNITS <input checked="" type="checkbox"/> mm <input type="checkbox"/> INCH	MODEL NO. 52559-***19 DIMENSIONS: <input type="checkbox"/> mm <input type="checkbox"/> INCH <input checked="" type="checkbox"/> mm ONLY	SHT 2 REV 1
			WIRE RANGE 適用 適用範囲 INS. RANGE 被覆 外径	DESCRIPTION 0.5 FPC Conn. Assy ZIF. -LEAD FREE-	DRAWN BY & DATE H.SHIMABUKURO '04/01/07 CHECKED BY & DATE K.TOJO '04/01/07 APPROVED BY & DATE H. Saito '04/01/07	TITLE: 0.5 FPC Conn. Assy ZIF. -LEAD FREE- MOLEX MOLEX INCORPORATED	CAD FILENAME SD-52559-045.S02	MATERIAL NO. SEE CHART DRAWING NO. SD-52559-045 SHEET NO. 2 OF 2	此図は DRAWING CONTAINS INFORMATION THAT IS PROPRIETARY TO MOLEX INCORPORATED AND SHOULD NOT BE USED WITHOUT WRITTEN PERMISSION.

SD-52559-045.S02